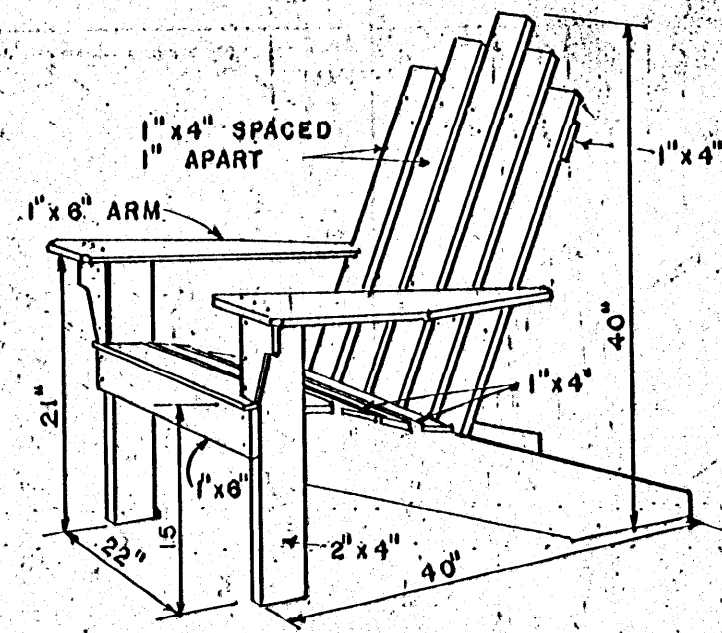
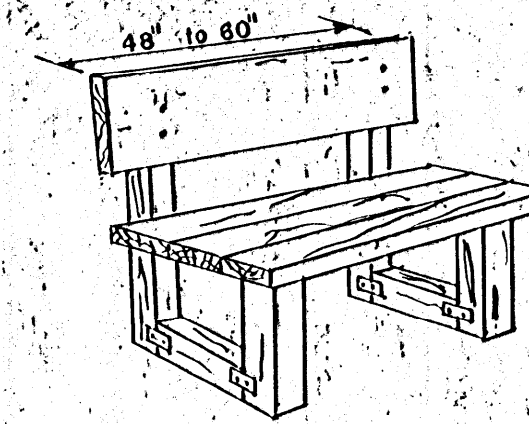


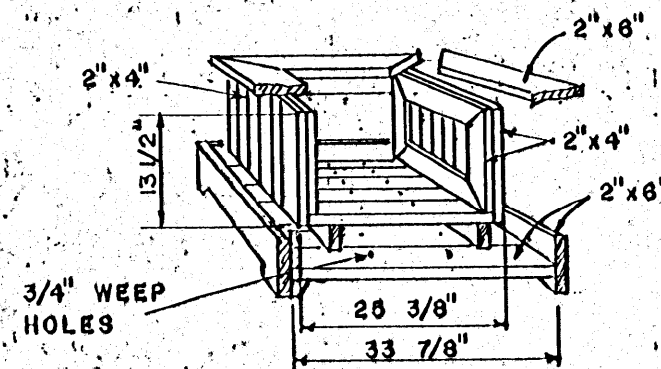
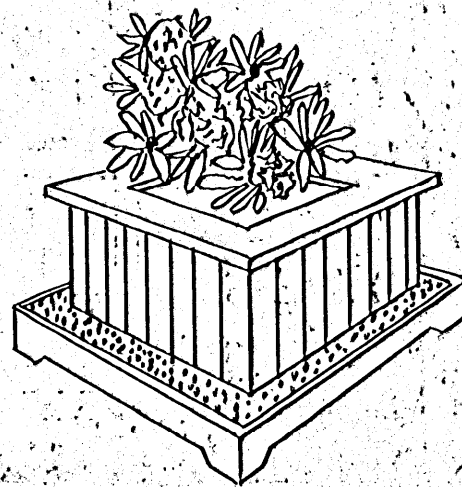
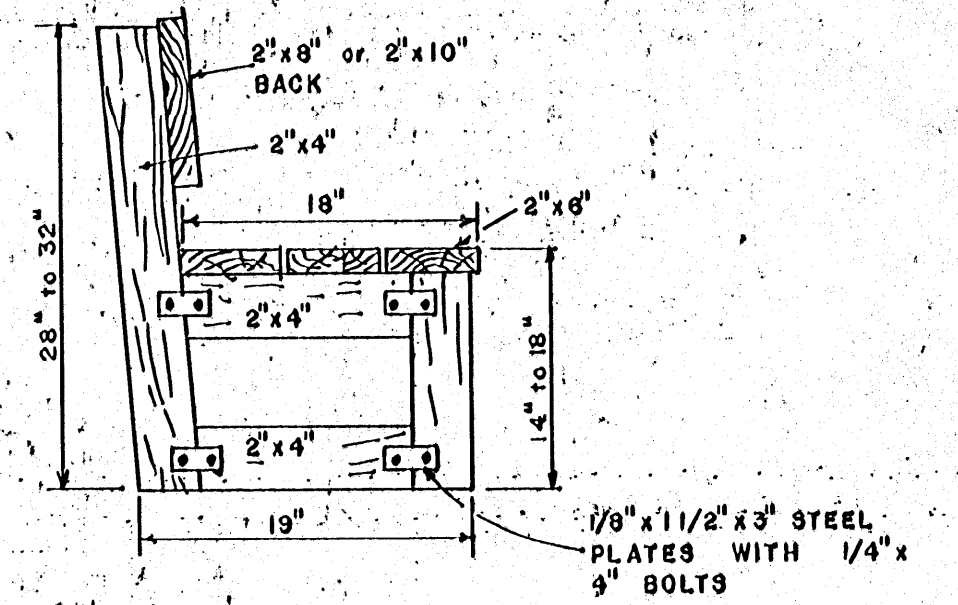
CHILD'S PLAY TABLE



PATIO or LAWN CHAIR



PATIO BENCH



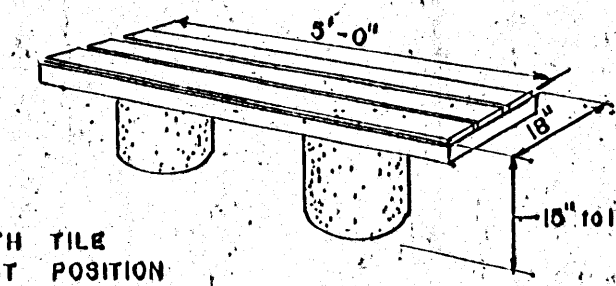
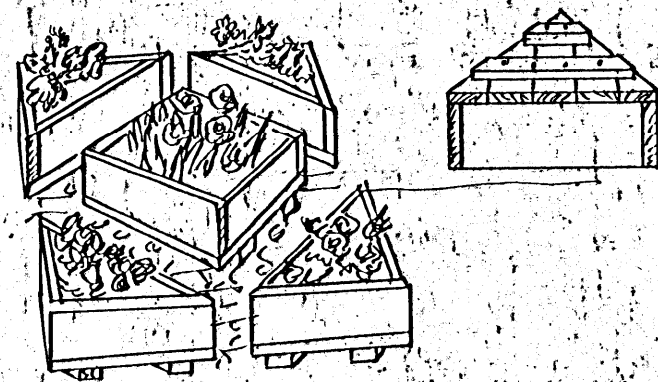
PLANTERS

PLANTER BOX with gravel tray
MATERIALS NEEDED

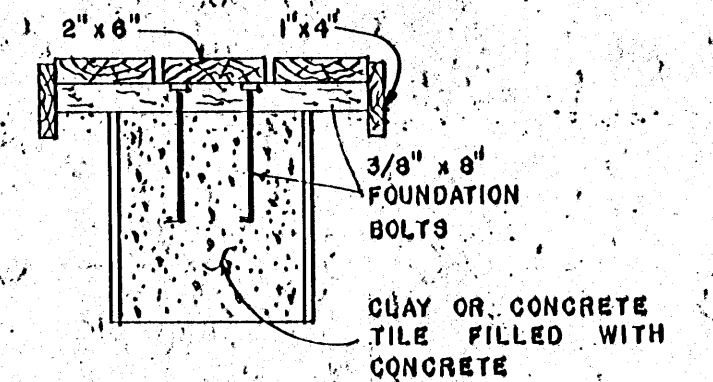
QUANTITY	SIZE	LENGTH	
2	2" x 4"	22 3/8"	CLEATS BOTTOM
4	2" x 6"	22 3/8"	INSIDE END FRAME
4	2" x 4"	12"	SIDE FRAMES
4	2" x 4"	19 3/8"	SIDES
28	2" x 4"	13 1/2"	TOP RAIL
4	2" x 6"	36"	

GRAVEL BOX:

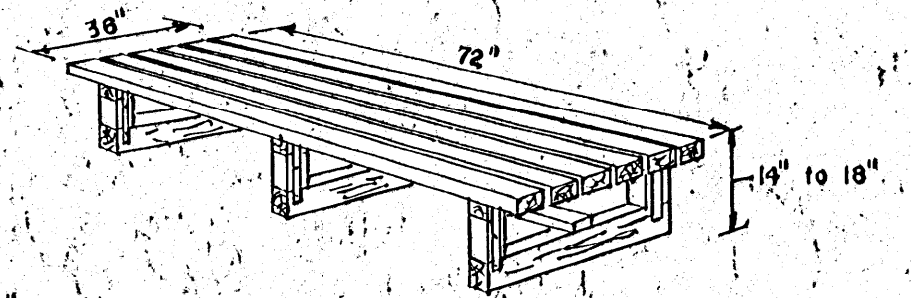
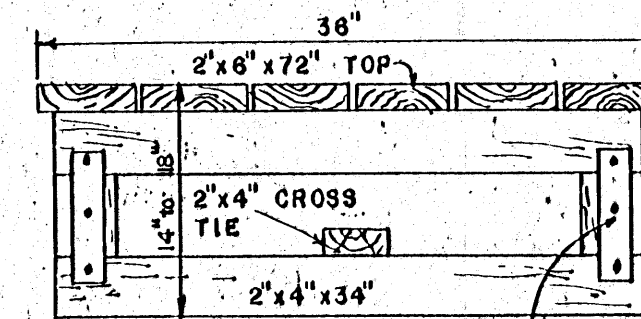
QUANTITY	SIZE	LENGTH	
6	2" x 6"	33 7/8"	BOTTOM LOWER BOX
4	2" x 6"	36"	SIDE RAILS LOWER BOX
1	2" x 4"	18"	CLEATS LOWER BOX



BENCH WITH TILE IN UPRIGHT POSITION



USE REDWOOD OR CEDAR IF UNPAINTED, NATURAL FINISH IS DESIRED, OR USE FIR OR PINE (COPPER TREATED) WHEN PAINTED FINISH IS DESIRED.



1/8" x 1 1/2" STRAP IRON AND 3-3/8" x 4" BOLTS

PATIO TABLE

PATIO FURNITURE

COOPERATIVE EXTENSION SERVICE
STATE OF MISSISSIPPI
MISSISSIPPI STATE UNIVERSITY
AND

UNITED STATES DEPARTMENT OF AGRICULTURE COOPERATING

DRAWN BY: R. F. W. CHECKED BY: L. M.
DATE: AUG. '71 DWG. NO. 5188-B SHT. 1 of 1