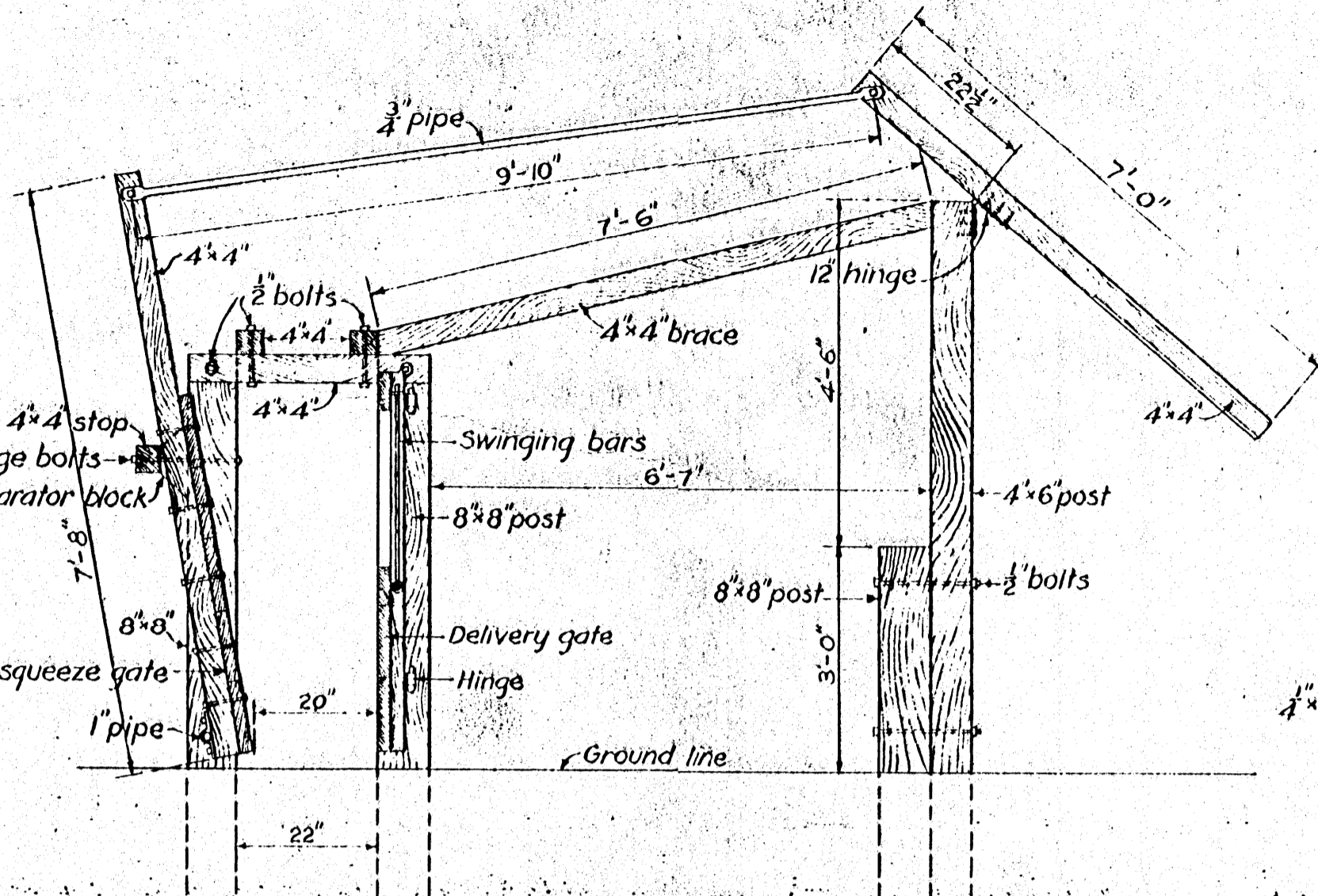
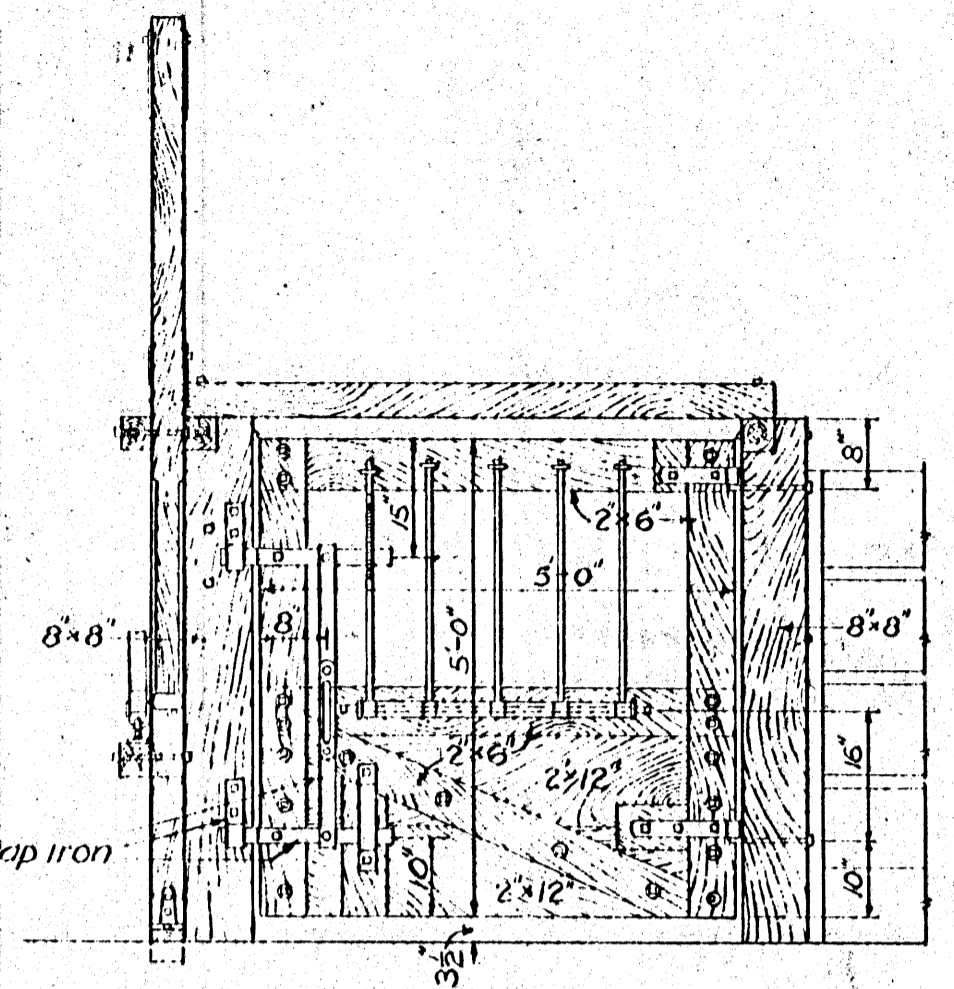


ELEVATION SHOWING BODY SQUEEZE



SECTION SHOWING BODY SQUEEZE

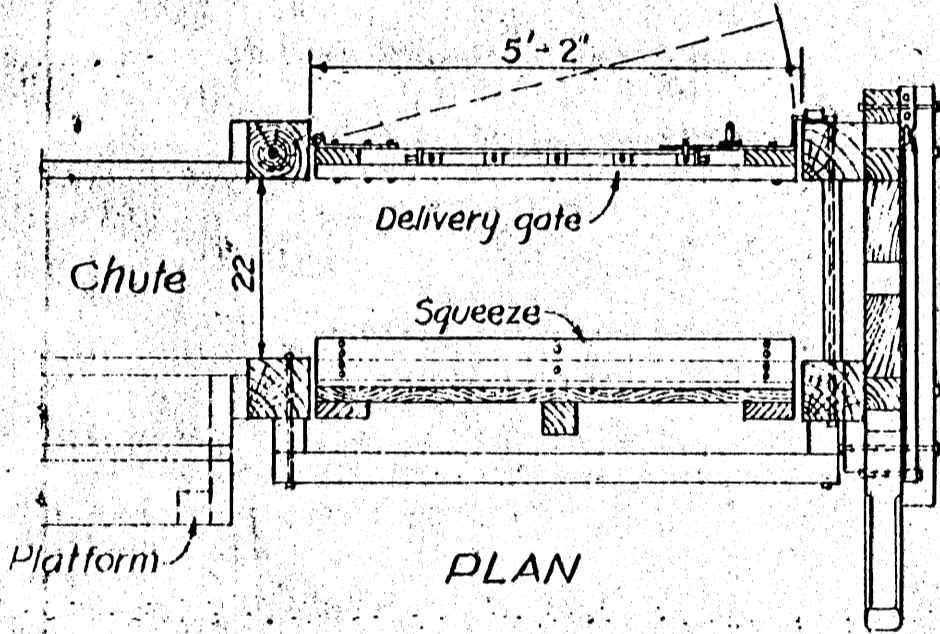
Scale: 1/2" = 1'-0"



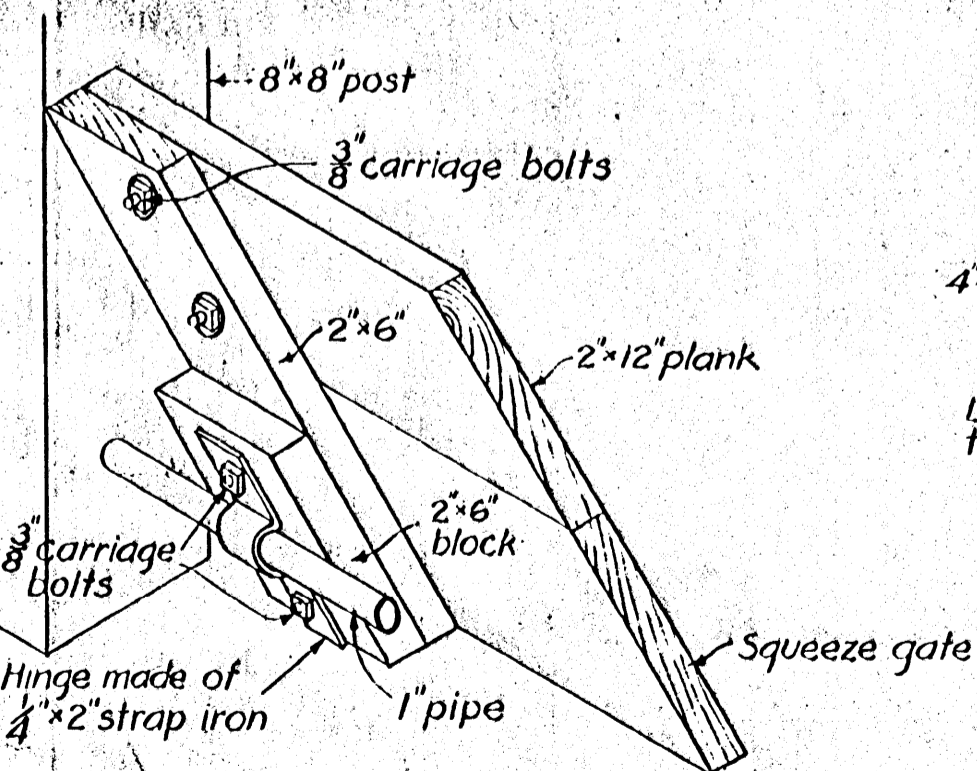
ELEVATION SHOWING DELIVERY GATE BODY SQUEEZE OMITTED

NOTE: Use carriage bolts, or countersink bolt heads on inside of gate and body squeeze.

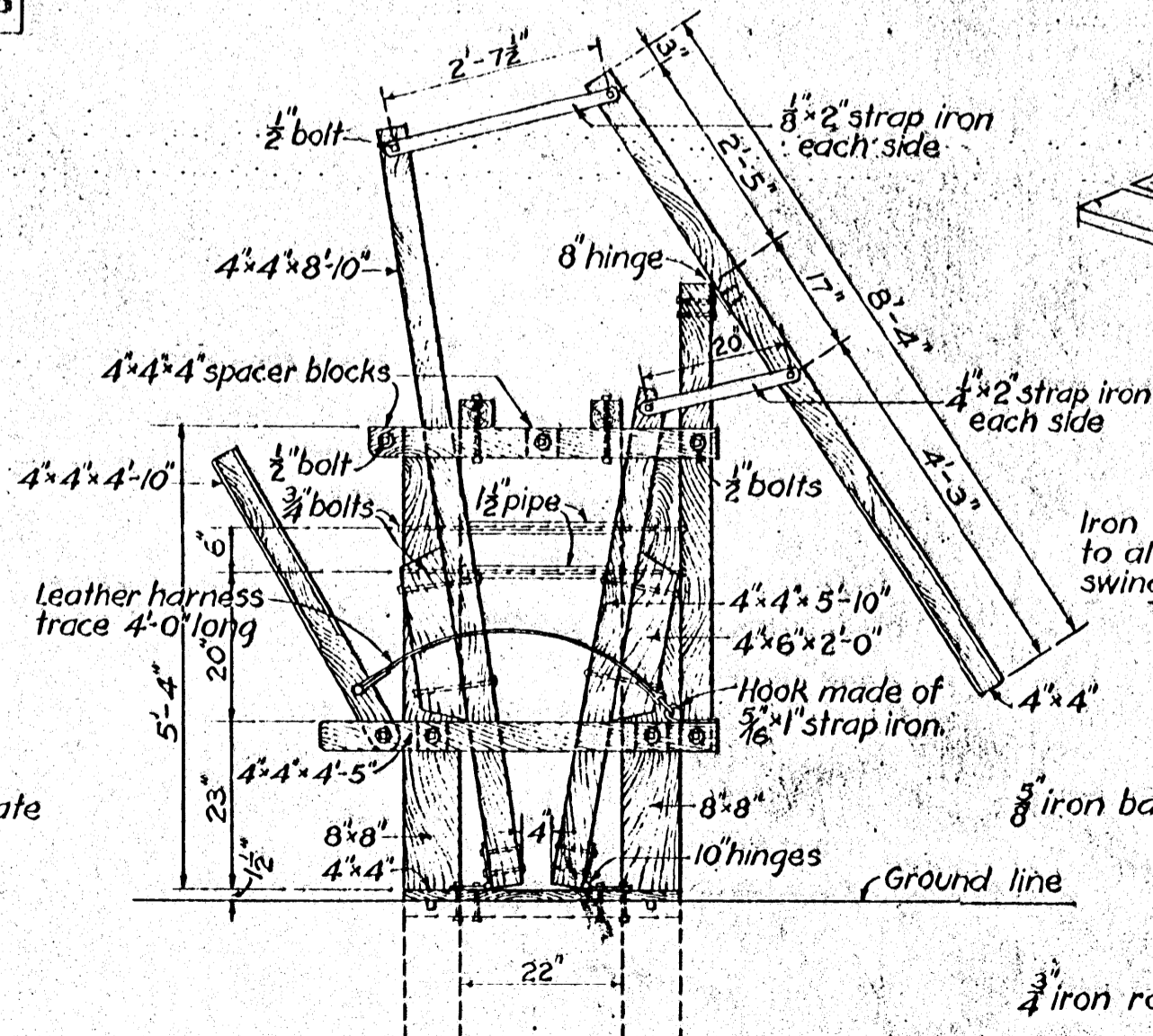
All wood especially that in contact with ground, should be pressure-treated with preservative.



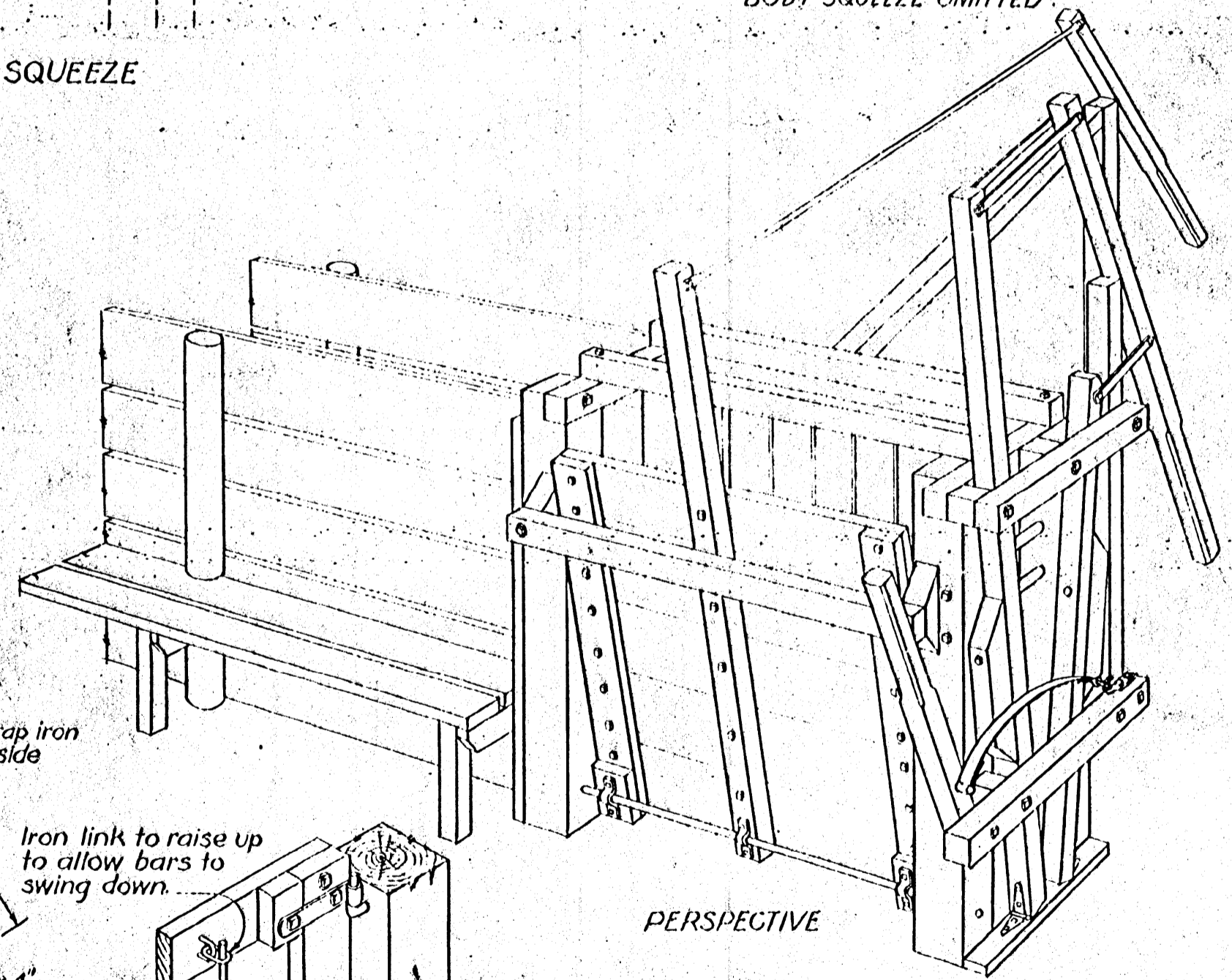
PLAN



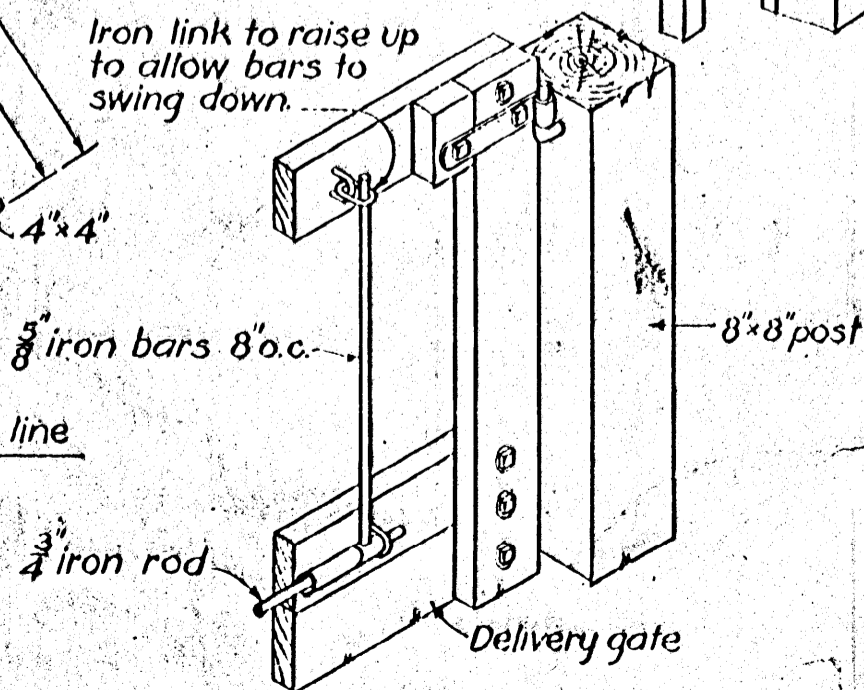
SQUEEZE GATE HINGE DETAIL



ELEVATION SHOWING NECK SQUEEZE



PERSPECTIVE



DETAIL OF DELIVERY GATE SWINGING BARS

COOPERATIVE EXTENSION WORK IN
 AGRICULTURE AND HOME ECONOMICS
 STATE OF MISSISSIPPI
 MISSISSIPPI STATE UNIVERSITY
 AND
 UNITED STATES DEPARTMENT OF AGRICULTURE COOPERATING

NEVADA TYPE
CATTLE SQUEEZE

OR. 5465 SHEET 1 OF 1