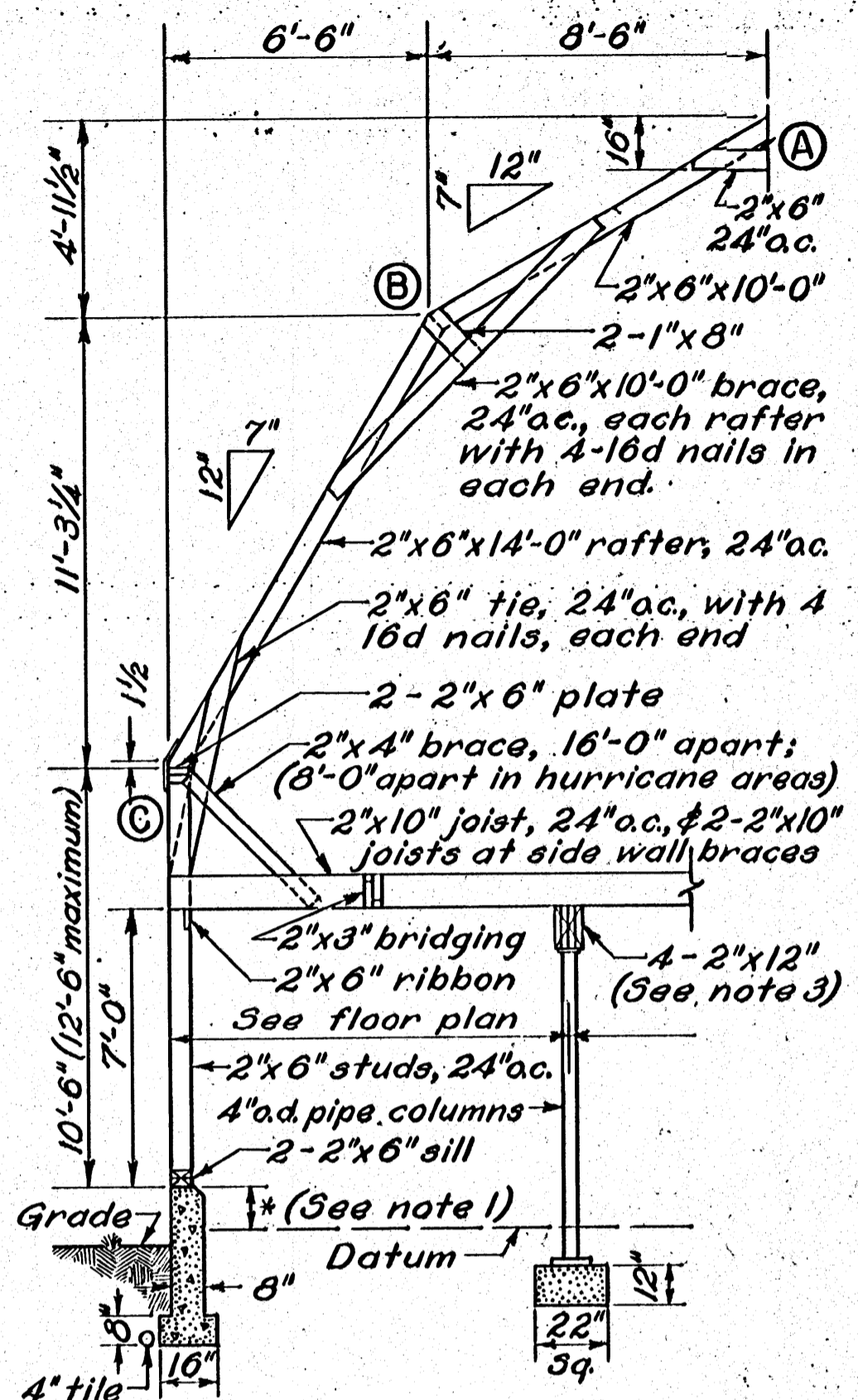
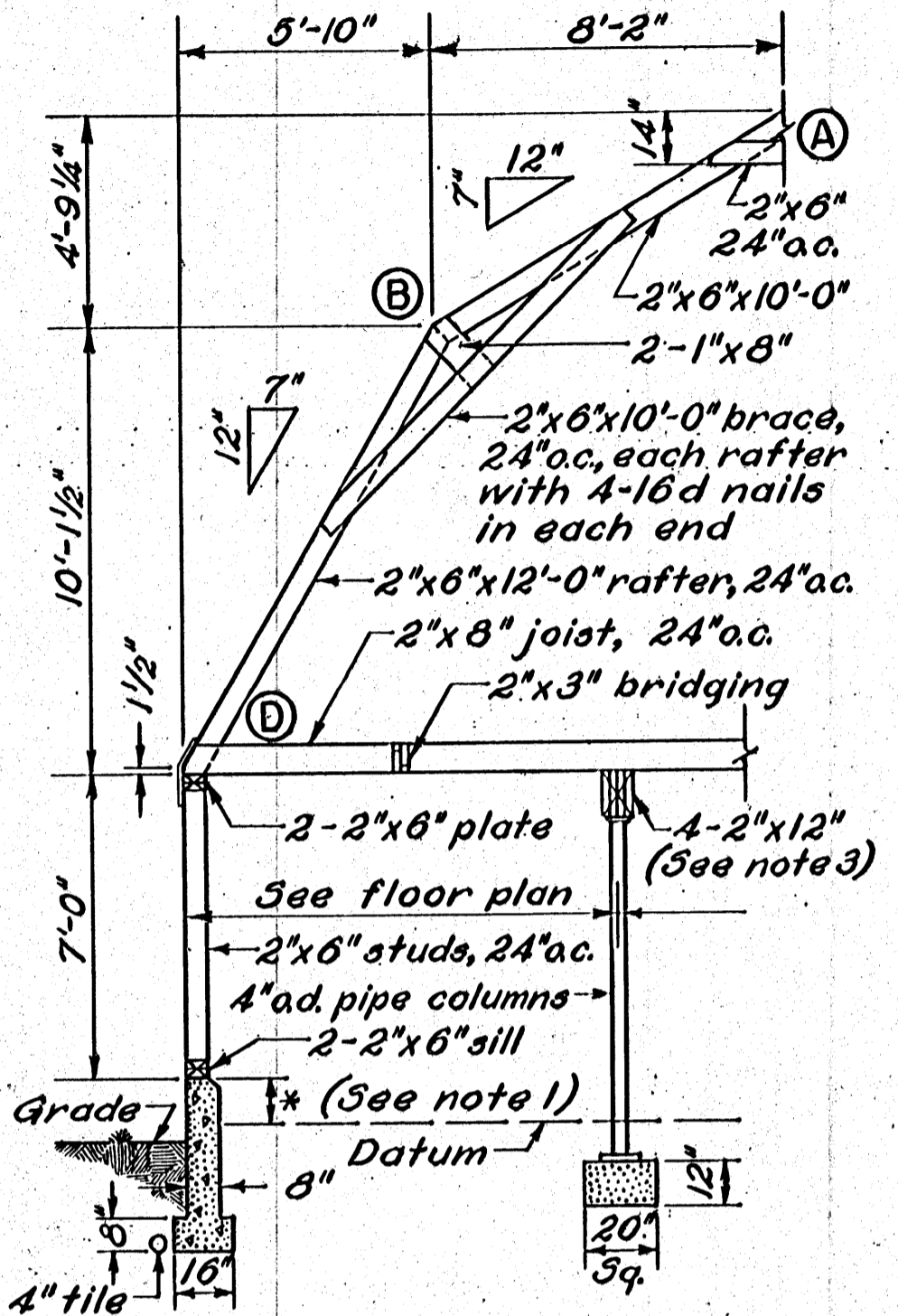


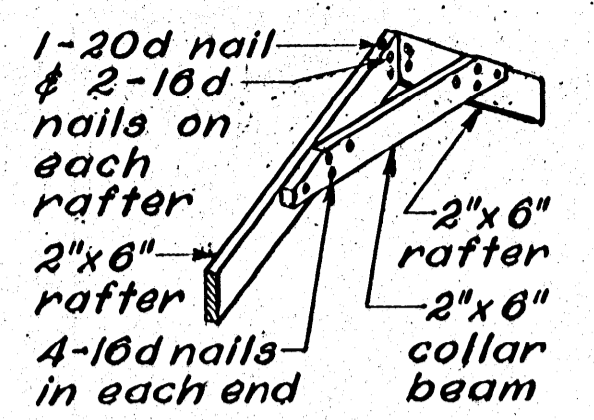
32'-0" BARN - 2 STORY
 LOOSE HAY - 0.85 TONS PER LIN. FT.
 BALED HAY - MAXIMUM DEPTH 10 FT.



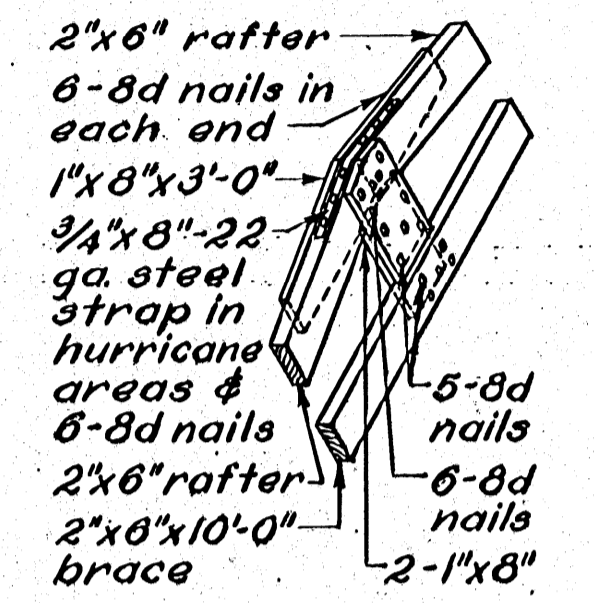
30'-0" BARN - 2 STORY
 LOOSE HAY - 0.66 TONS PER LIN. FT.
 BALED HAY - MAXIMUM DEPTH 8 FT.



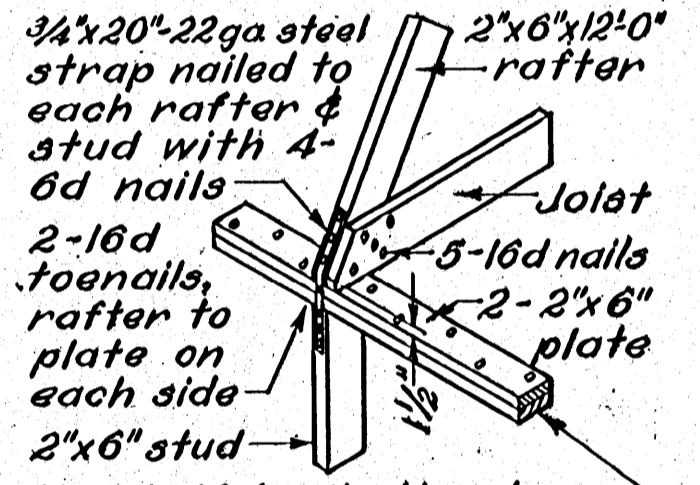
28'-0" BARN - 1 1/2 STORY
 LOOSE HAY - 0.50 TONS PER LIN. FT.
 BALED HAY - MAXIMUM DEPTH 8 FT.



DETAIL A

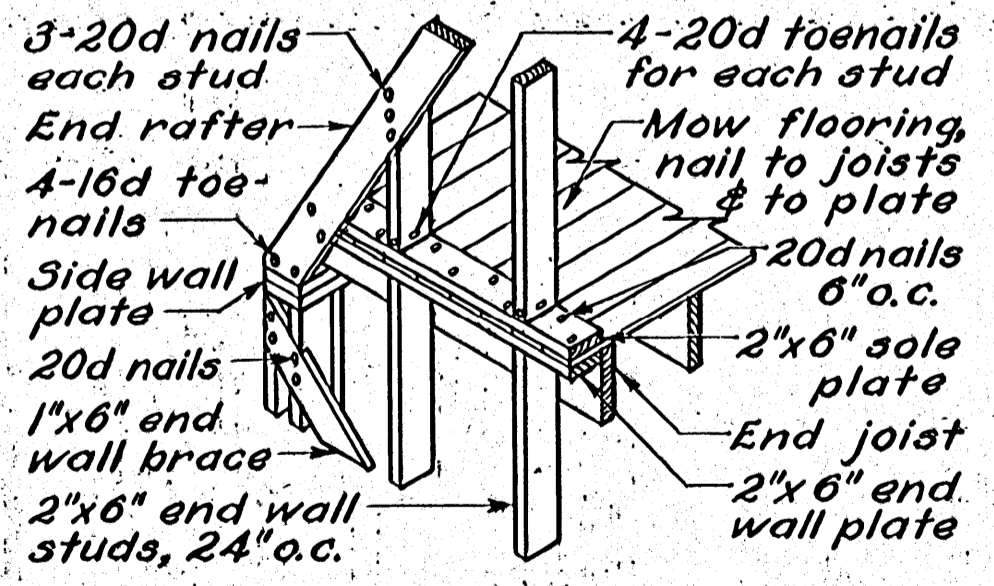


DETAIL B

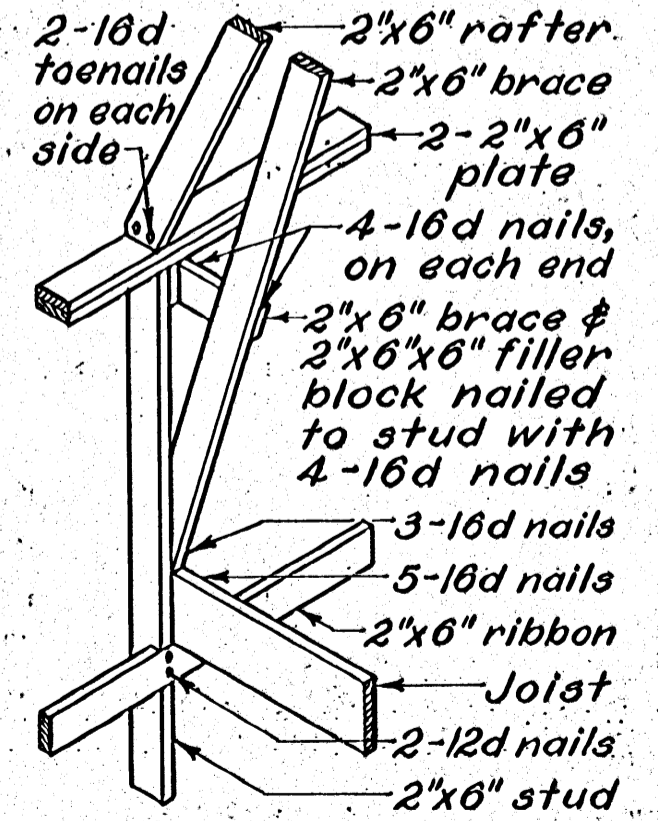


Use 3-30d nails thru lower half of plate into top of studs. Nail all plates together with 16d nails, 8" o.c.

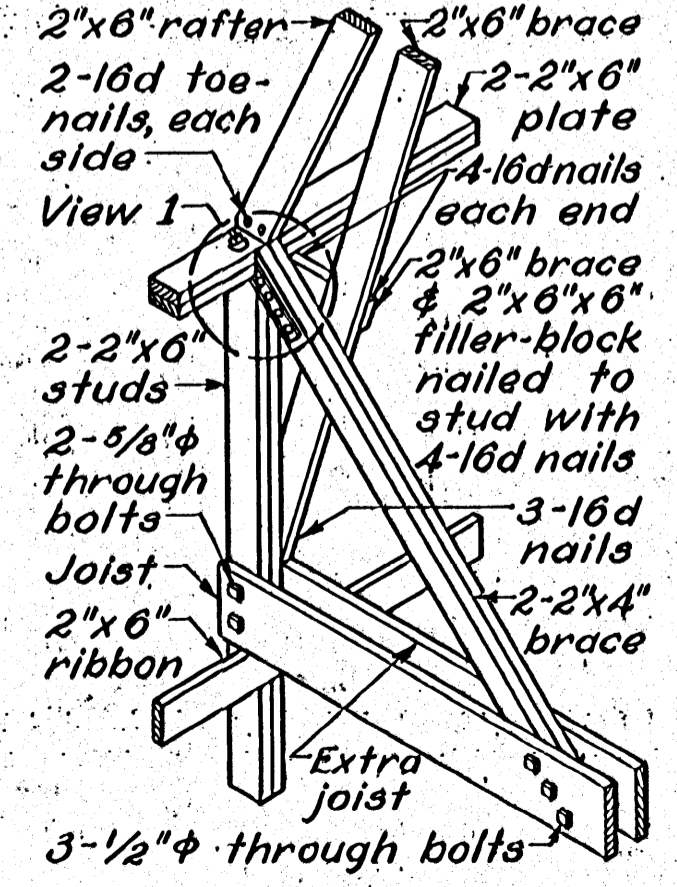
DETAIL D



28'-0" BARN END-WALL FRAMING



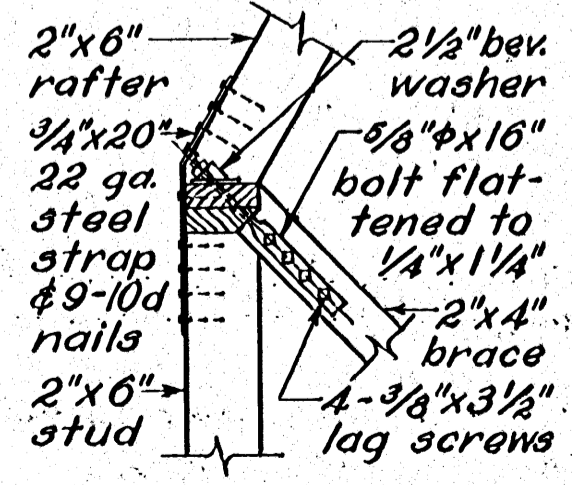
DETAIL C
 NORMAL SIDE-WALL CONNECTION.



DETAIL C
 SIDE-WALL BRACE

NOTES:

- *Variable dimension, see foundation detail (dwg. 5601).
- Use 4-2"x12" girders if columns are spaced 10'-6" or less apart. Column spacing not to exceed 12'-0".
- Use 4-2"x10" girders if columns are spaced 10'-6" or less apart. Column spacing not to exceed 12'-0".
- Wall foundations to extend below frost to solid ground. Carry column footings to solid ground.



VIEW 1

COOPERATIVE EXTENSION WORK IN AGRICULTURE AND HOME ECONOMICS STATE OF MISSISSIPPI MISSISSIPPI STATE UNIVERSITY AND UNITED STATES DEPARTMENT OF AGRICULTURE COOPERATING		
BRACED RAFTER FRAMING SPANS 28 FEET TO 32 FEET		
USDA '49	EX. 5626	SHEET 1 OF 1