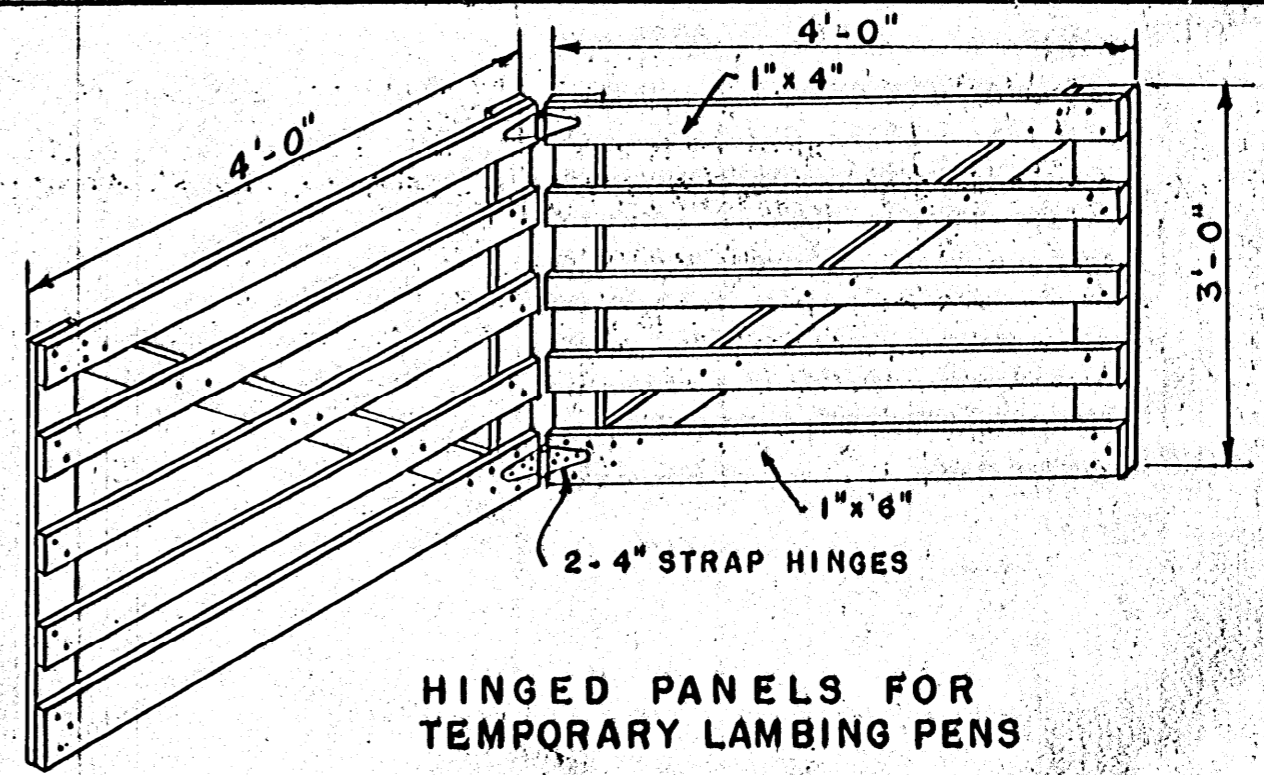
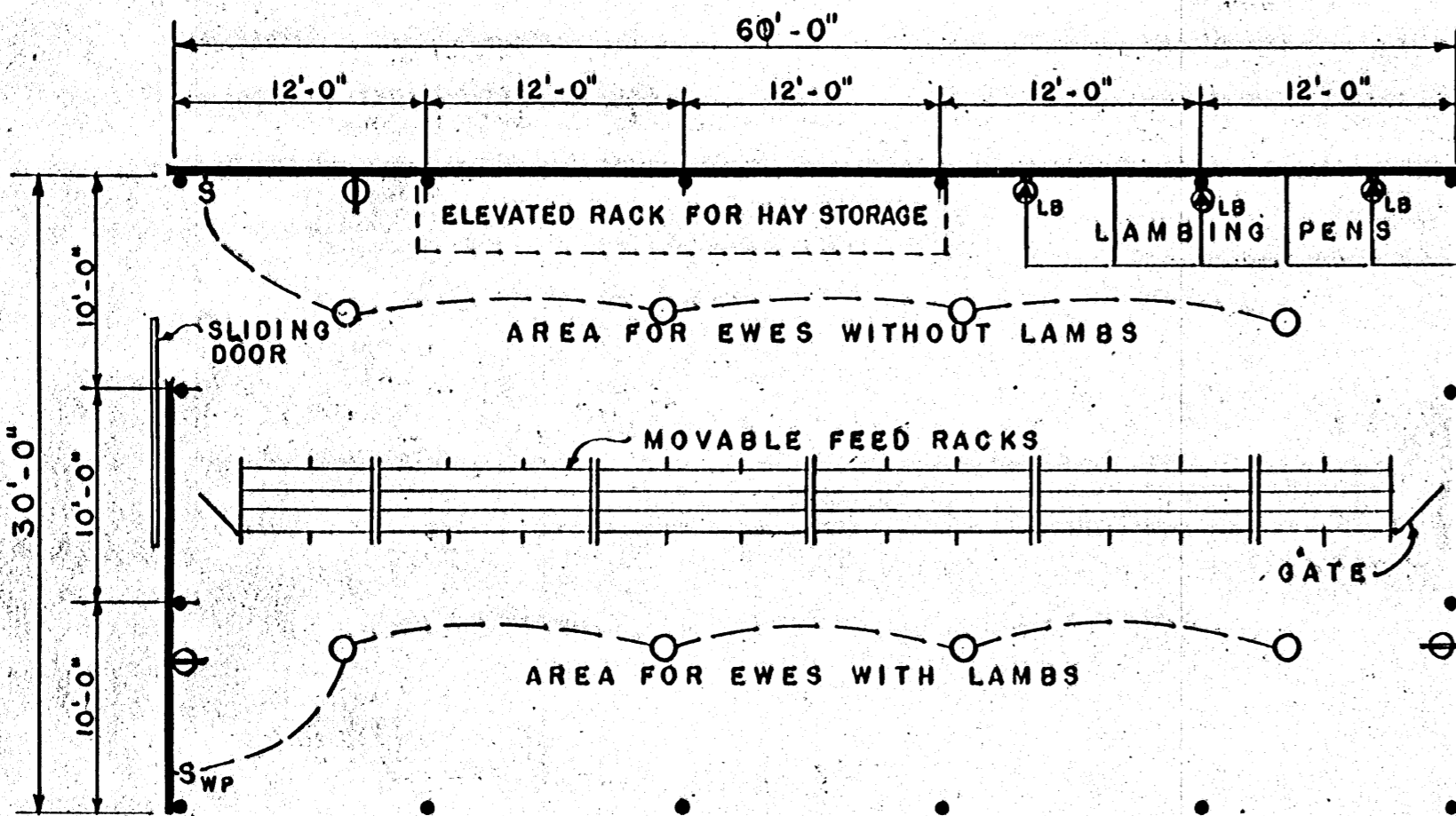


PERSPECTIVE VIEW

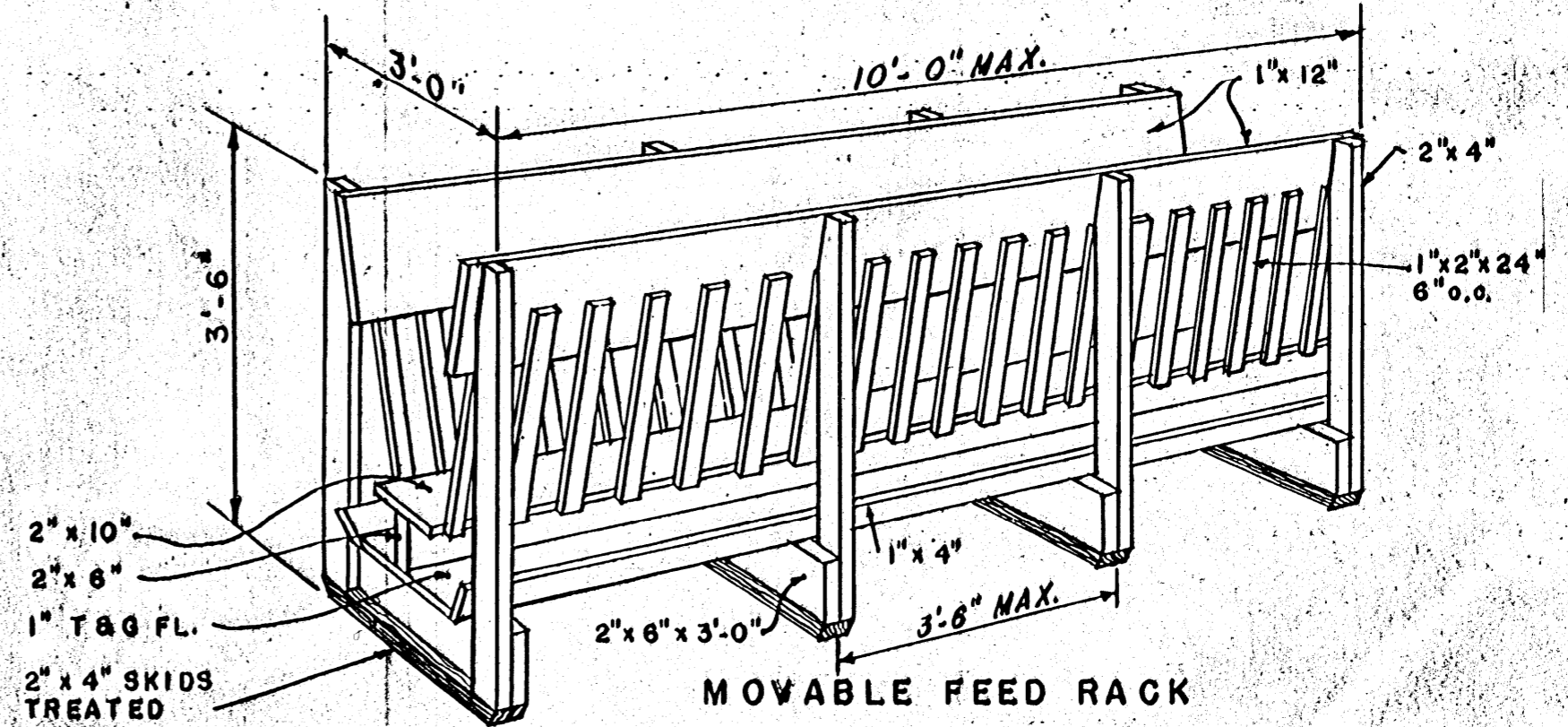


HINGED PANELS FOR TEMPORARY LAMBING PENS

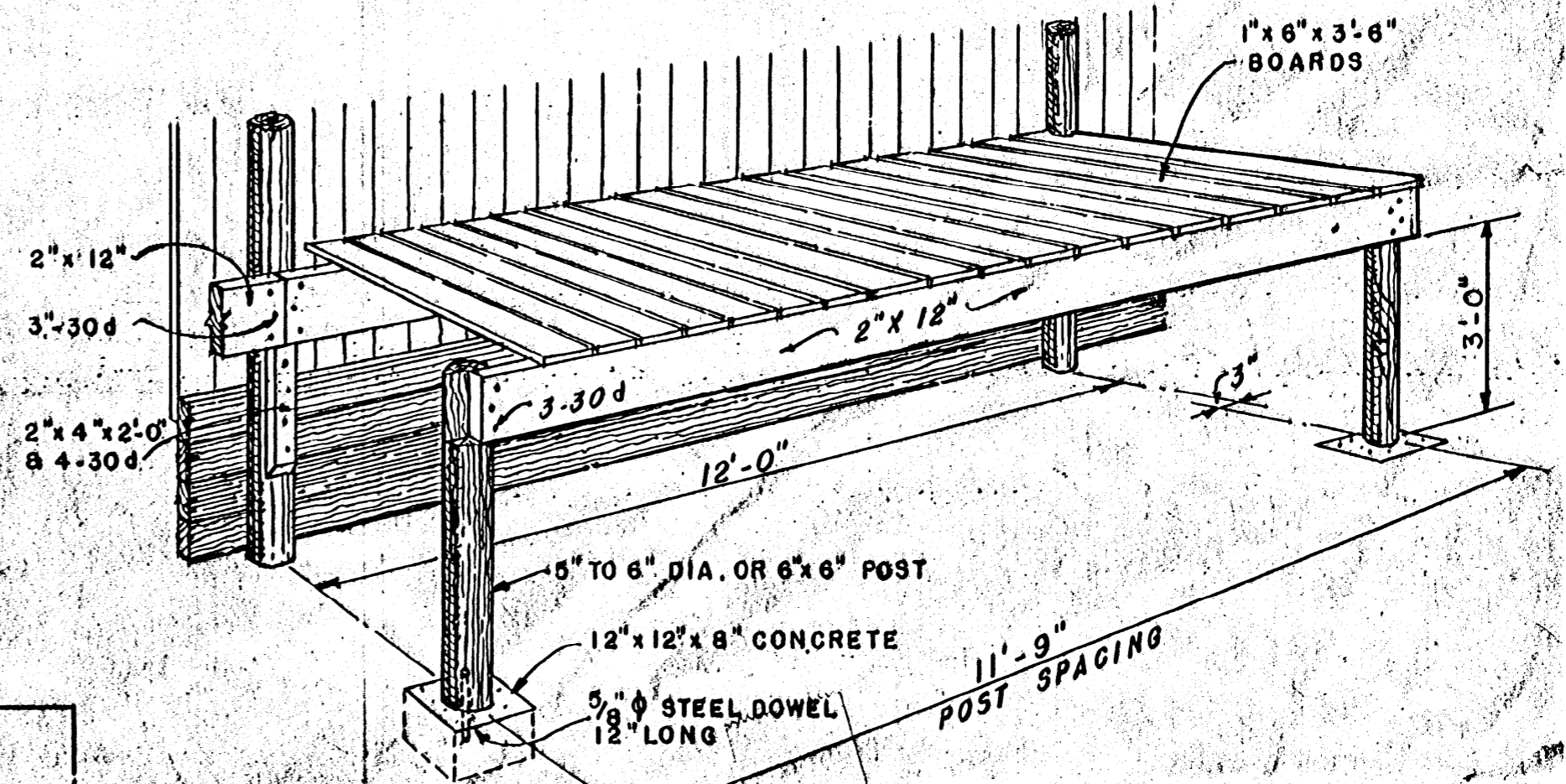


PLAN
SCALE 1/8" = 1'-0"

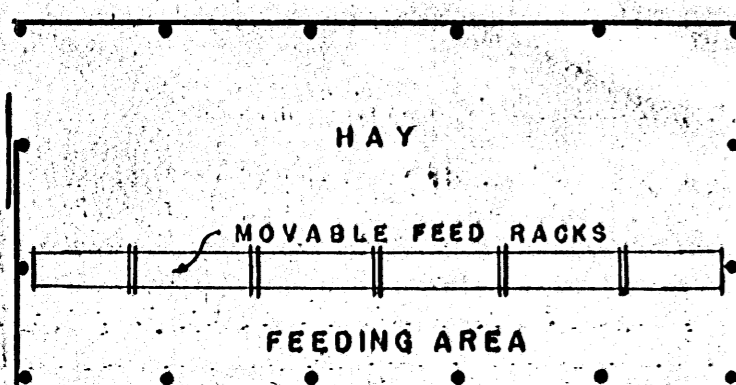
- NOTE: 1. CAPACITY 120 HEAD.
 2. LENGTH OF BUILDING MAY BE VARIED IN UNITS OF 12 FEET.
 3. USE OF THE BUILDING AS CATTLE & HAY BARN OR MACHINERY STORAGE IS ILLUSTRATED BY SMALL PLANS BELOW. COMPLETE PLANS FOR EITHER OF THESE TYPES OF BUILDINGS MAY BE OBTAINED---WHEN ORDERING, USE THE PLAN NUMBER INDICATED.



MOVABLE FEED RACK

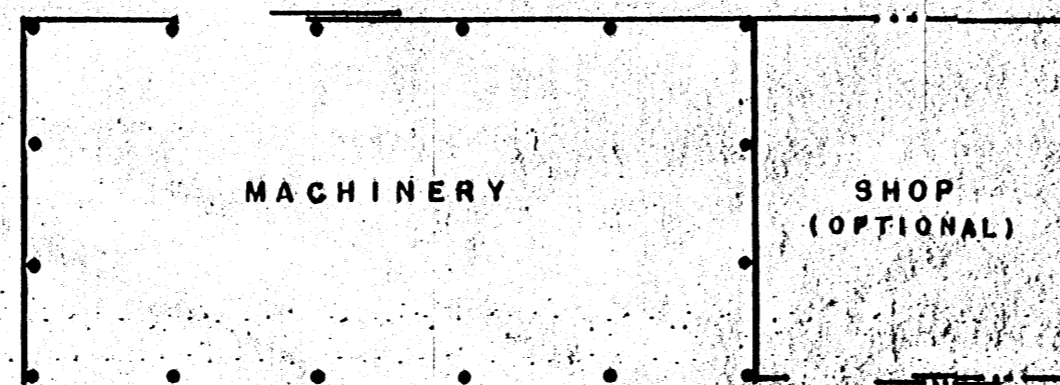


HAY STORAGE RACK



CATTLE & HAY BARN (EX. 5794)
CAPACITY 24 TO 32 HEAD

SCALE 1/16" = 1'-0"



MACHINERY STORAGE (EX. 5734)

- WIRING LEGEND
 ○ LIGHT OUTLET
 ⊙ LAMB BROODER
 S SINGLE POLE SWITCH
 ⊕ DUPLEX OUTLET
 SW WEATHERPROOF SWITCH

BASED ON VIRGINIA PLAN No. K 1.25

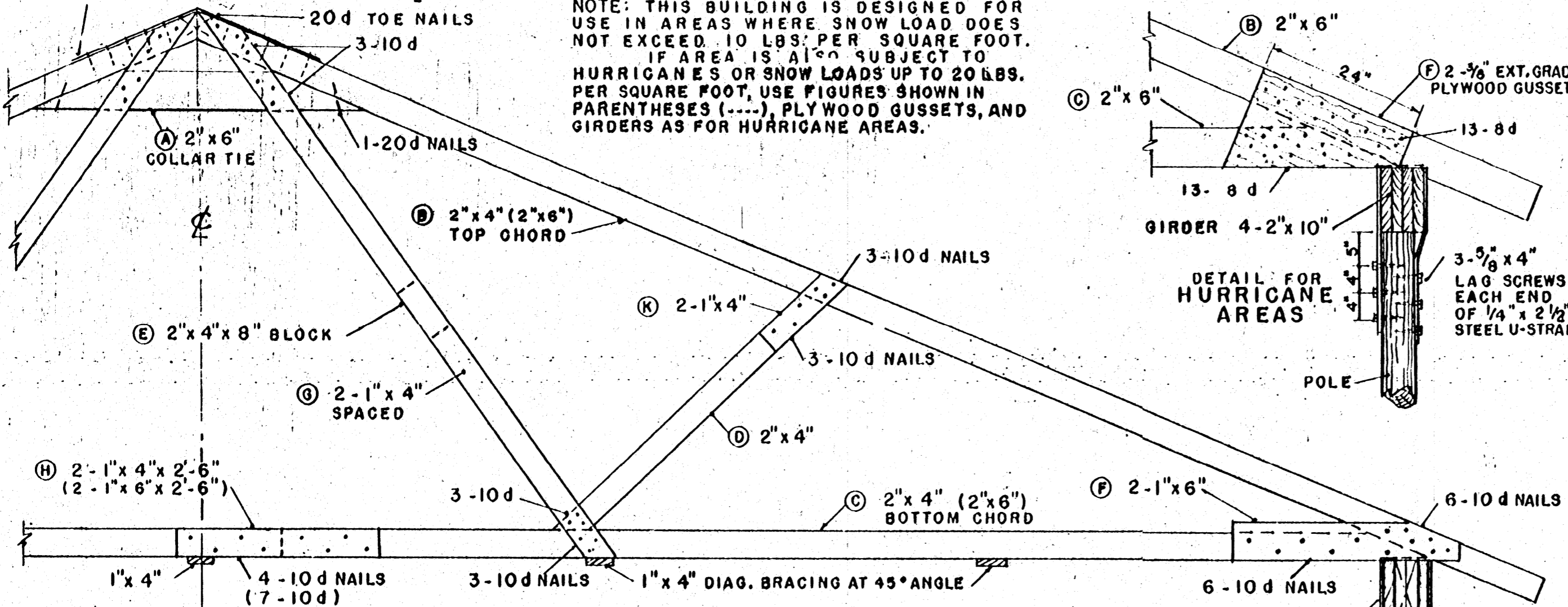
COOPERATIVE EXTENSION WORK IN AGRICULTURE AND HOME ECONOMICS
 STATE OF MISSISSIPPI
 MISSISSIPPI STATE UNIVERSITY
 UNITED STATES DEPARTMENT OF AGRICULTURE COOPERATING

MULTI PURPOSE POLE BUILDING
 SHEEP SHED

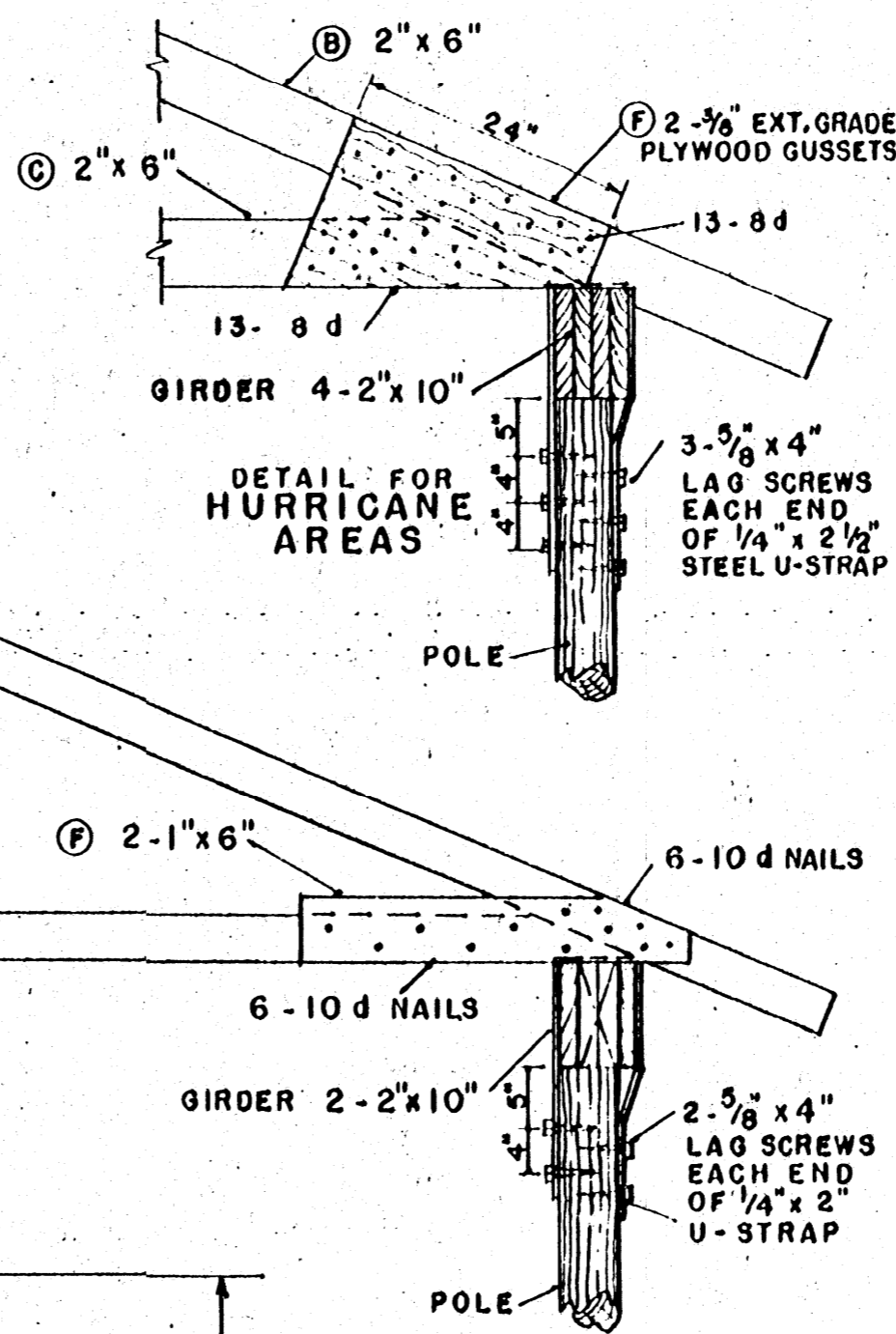
USDA '55 EX. 5733 SHEET 1 OF 2

5-10d NAILS-1" 24 GA STRAP (12-10d-1 1/2" STRAP)

NOTE: THIS BUILDING IS DESIGNED FOR USE IN AREAS WHERE SNOW LOAD DOES NOT EXCEED 10 LBS. PER SQUARE FOOT. IF AREA IS ALSO SUBJECT TO HURRICANES OR SNOW LOADS UP TO 20 LBS. PER SQUARE FOOT, USE FIGURES SHOWN IN PARENTHESES (---), PLYWOOD GUSSETS, AND GIRDERS AS FOR HURRICANE AREAS.



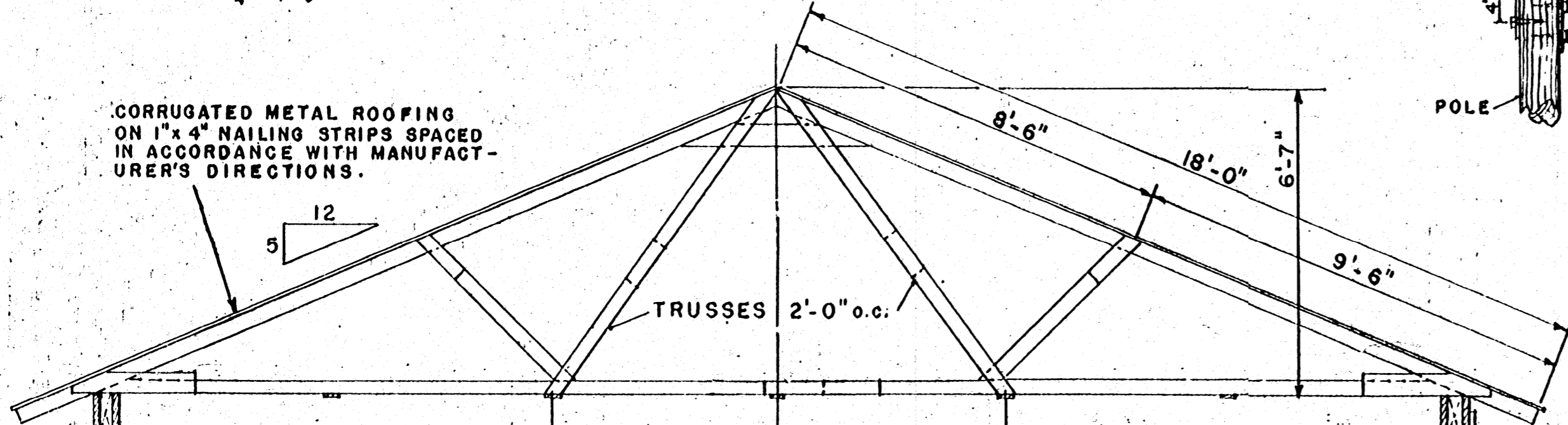
TRUSS DETAIL
SCALE 3/4" = 1'-0"



LIST OF MATERIALS

THIS LIST OF MATERIALS IS PREPARED FOR ESTIMATING PURPOSES, IF USED FOR THE PURCHASE OF MATERIALS, THE QUANTITIES SHOULD BE VERIFIED BY THE BUILDER.

ITEM	NORMAL AREAS		HURRICANE AREAS	
	SIZE	PCS.	SIZE	PCS.
TRUSSES (TOTAL 31)				
(A) COLLAR TIE	2"x6" x 14'-0"	8	2"x6" x 12'-0"	8
(B) TOP CHORD	2"x4" x 18'-0"	62	2"x6" x 18'-0"	62
(C) BOTTOM CHORD	2"x4" x 14'-0"	31	2"x6" x 14'-0"	31
(C) BOTTOM CHORD	2"x4" x 16'-0"	31	2"x6" x 16'-0"	31
(D) STRUT & (E) BLOCK	2"x4" x 10'-0"	31	2"x4" x 10'-0"	31
(F) GUSSET	1"x6" x 12'-0"	31	4'-0" x 8'-0" x 3/8" EXT. PLY	8
(G) TIE & (K) SCAB	1"x4" x 10'-0"	124	1"x4" x 10'-0"	124
(H) PAD	1"x4" x 10'-0"	16	1"x6" x 10'-0"	16
DIAGONAL BRACING	1"x4" 521 LIN. FT.		1"x4" 521 LIN. FT.	
POLES (PRESSURE TREAT)	16'-0" LONG	16	17'-0" LONG	16
NAILING GIRTS	2"x4" x 16'-0"	4	2"x4" x 16'-0"	4
	2"x6" x 12'-0"	5	2"x6" x 12'-0"	5
	2"x6" x 10'-0"	8	2"x6" x 10'-0"	8
	2"x10" x 10'-0"	3	2"x10" x 10'-0"	3
SPLASH BOARDS PRESSURE TREATED	2"x6" x 12'-0"	20	2"x6" x 12'-0"	20
	2"x6" x 10'-0"	20	2"x6" x 10'-0"	20
GIRDERS	2"x10" x 12'-0"	20	2"x10" x 12'-0"	40
BLOCKING	2"x4" x 16'-0"	2	2"x4" x 16'-0"	2
	2"x4" x 10'-0"	2	2"x4" x 10'-0"	2
	2"x10" x 12'-0"	6	2"x10" x 12'-0"	6
SPLICE	2"x4" x 12'-0"	2	2"x4" x 12'-0"	2
VERGE BOARDS	1"x6" x 18'-0"	4	1"x6" x 18'-0"	4
SIDING & DOORS: 1699 B.M. 1" BOARDS OR 16 SQS. OF MET. SIDING				
ROOF SHEATHING: 2500 B.M. 1" BOARDS				
ROOFING: 23 SQUARES - 62' RIDGE CAP				
HARDWARE: 2 DOOR HANGERS, SLIDING DOOR TRACK 20', GUTTERS, DOWNSPOUTS, NAILS, STRAPS & PAINT.				
FOR METAL ROOF: SPACED ROOF SHEATHING: 2432' OF 1"x4" WOOD STRIPS 12 & 14 FT. LENGTHS				



CROSS SECTION
SCALE 3/8" = 1'-0"

CORRUGATED METAL ROOFING ON 1"x4" NAILING STRIPS SPACED IN ACCORDANCE WITH MANUFACTURER'S DIRECTIONS.

① HEIGHT SHOWN PROVIDES ABOUT 6" FOR VARIATION IN DEPTH OF HOLES AND FOR RIMMING TOP OF POLES SQUARE AND LEVEL FOR BEAM AFTER POLES ARE SET.

A 2" TO 4" TAMPED EARTH FLOOR FILL MAY BE ADVISABLE IN POORLY DRAINED LOCATIONS.

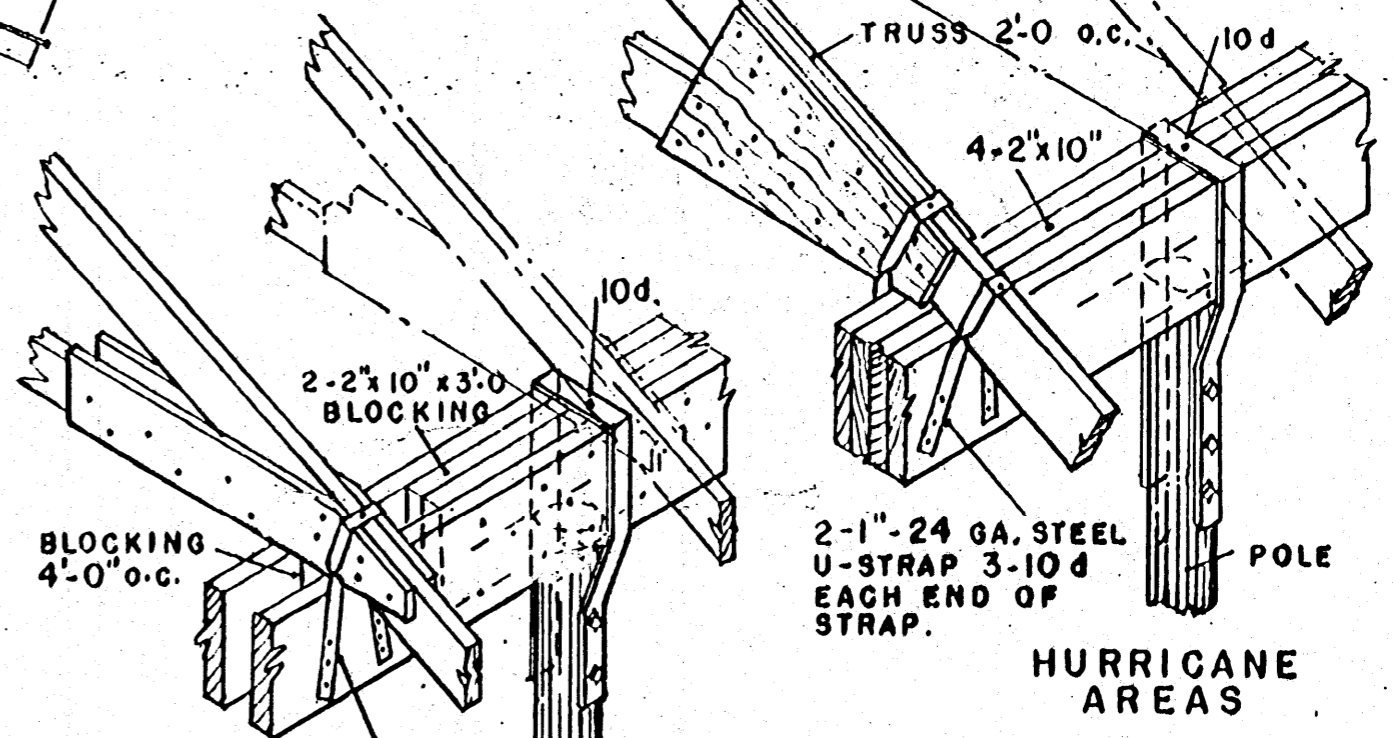
5" TOP DIAMETER POLES, PRESSURE-TREATED.

2"x6" GIRTS TOE-NAILED TO POLES WITH 2-20d AND NAILED TO SPLICE WITH 2-16d

2"x4" x 2'-0" SPLICE NAILED TO POLE WITH 3-20d

VERTICAL WOOD SIDING ②

2" PLANKING PRESSURE TREATED



NORMAL AREAS

- ② IF METAL SIDING IS USED USE GIRTS OF SIZE & SPACING RECOMMENDED BY THE MANUFACTURER.
- ③ IF ROLL ROOFING OR ASPHALT SHINGLE ROOFING ARE USED APPLY OVER SOLID SHEATHING.

COOPERATIVE EXTENSION WORK IN AGRICULTURE AND HOME ECONOMICS
STATE OF MISSISSIPPI
MISSISSIPPI STATE UNIVERSITY
AND
UNITED STATES DEPARTMENT OF AGRICULTURE COOPERATING

MULTI PURPOSE POLE BUILDING
SHEEP SHED

USDA '55 EX. 5733 SHEET 2 OF 2