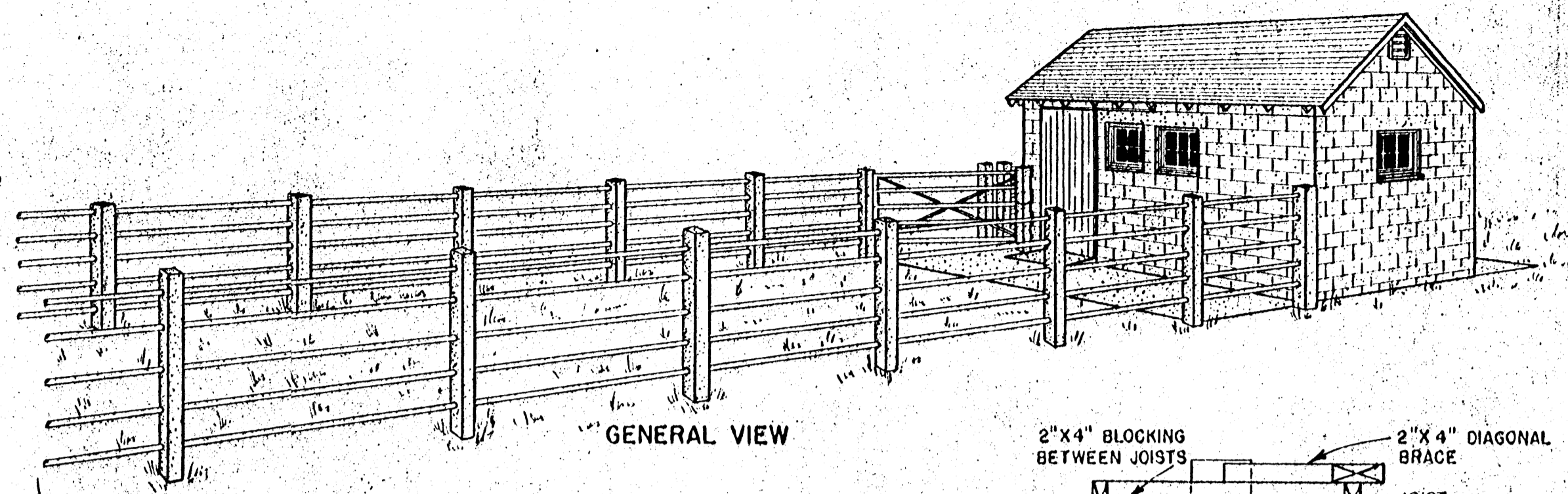
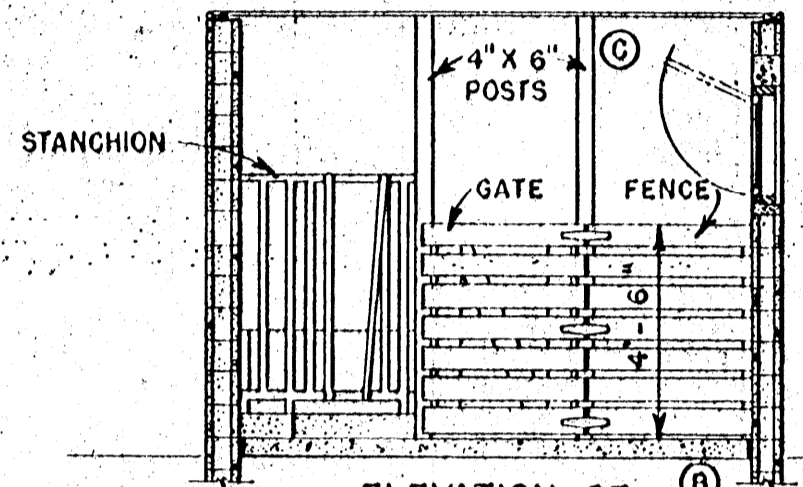


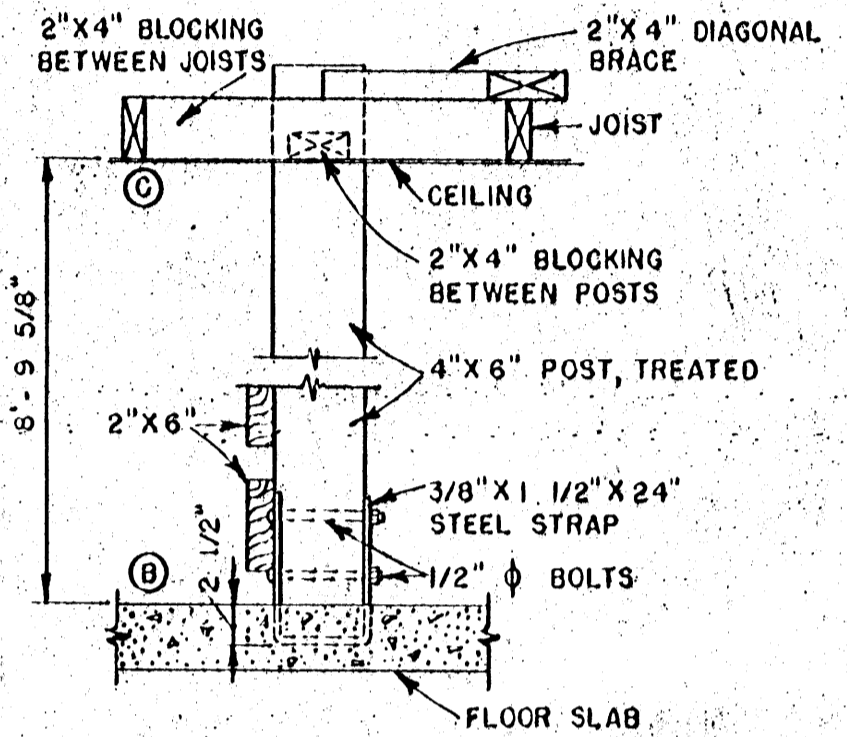
SECTION A-A  
SCALE: 3/8" = 1'-0"



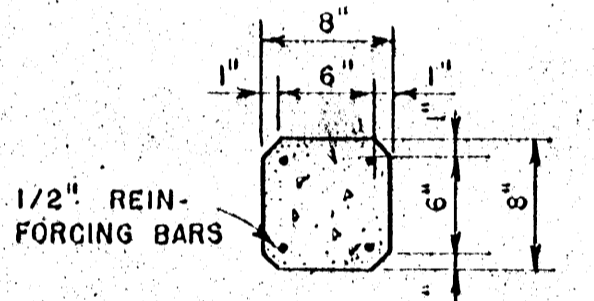
GENERAL VIEW



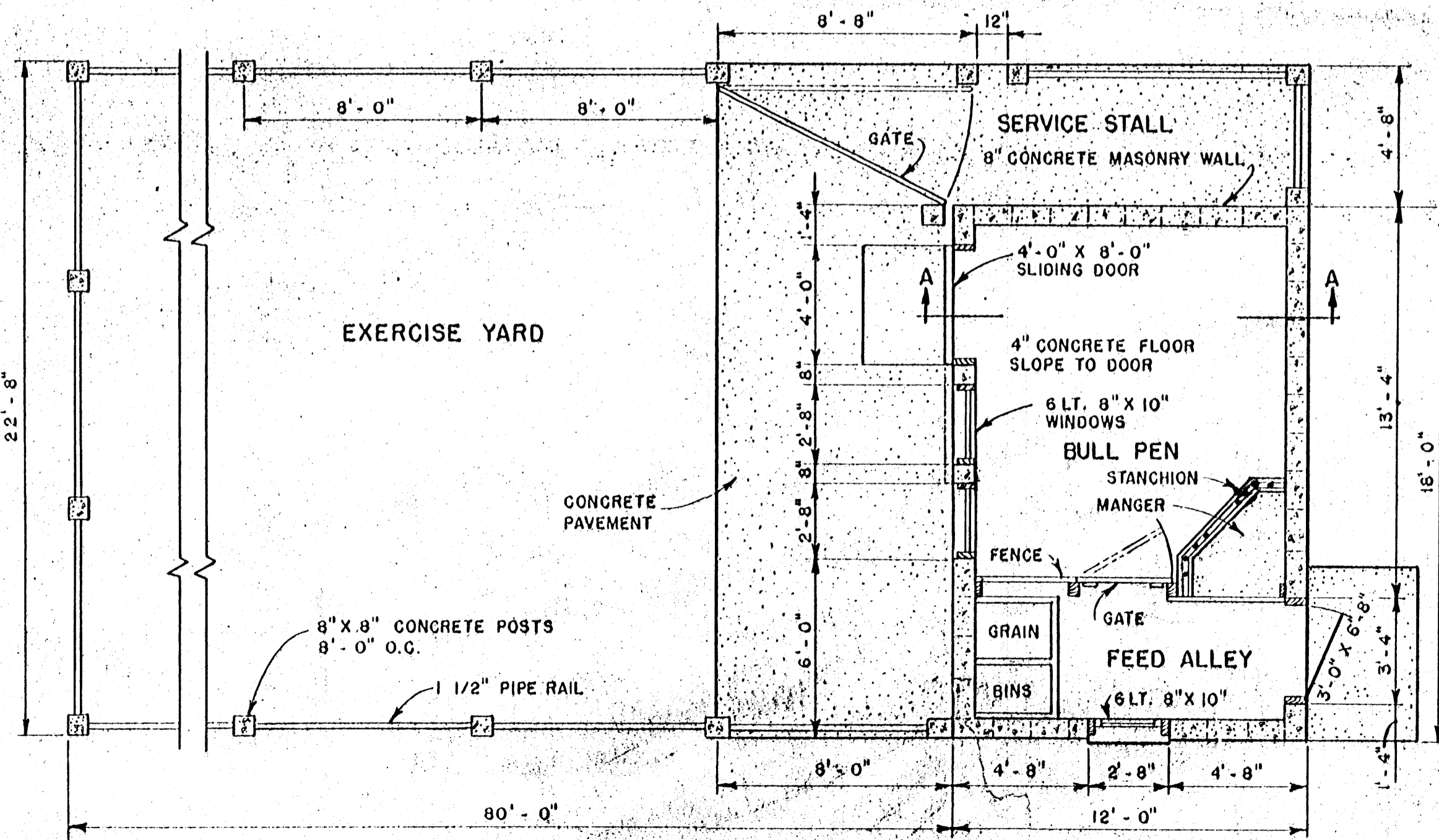
ELEVATION OF STANCHION & GATE  
SCALE: 1/4" = 1'-0"



POST DETAIL  
SCALE: 1" = 1'-0"



DETAIL OF CONCRETE POSTS  
SCALE: 1" = 1'-0"



PLAN  
SCALE: 1/4" = 1'-0"

**NOTE**

1. ALL LINTELS TO BE REINFORCED WITH TWO 1/2"  $\phi$  RODS.
2. USE BRUSH FINISH ON PAVEMENT AND PEN FLOOR.

COOPERATIVE EXTENSION WORK IN  
AGRICULTURE AND HOME ECONOMICS  
STATE OF MISSISSIPPI  
MISSISSIPPI STATE UNIVERSITY  
AND  
UNITED STATES DEPARTMENT OF AGRICULTURE COOPERATING

**BULL PEN & PADDOCK  
MASONRY CONSTRUCTION**

VA. EX. 5760 SHEET 1 OF 1