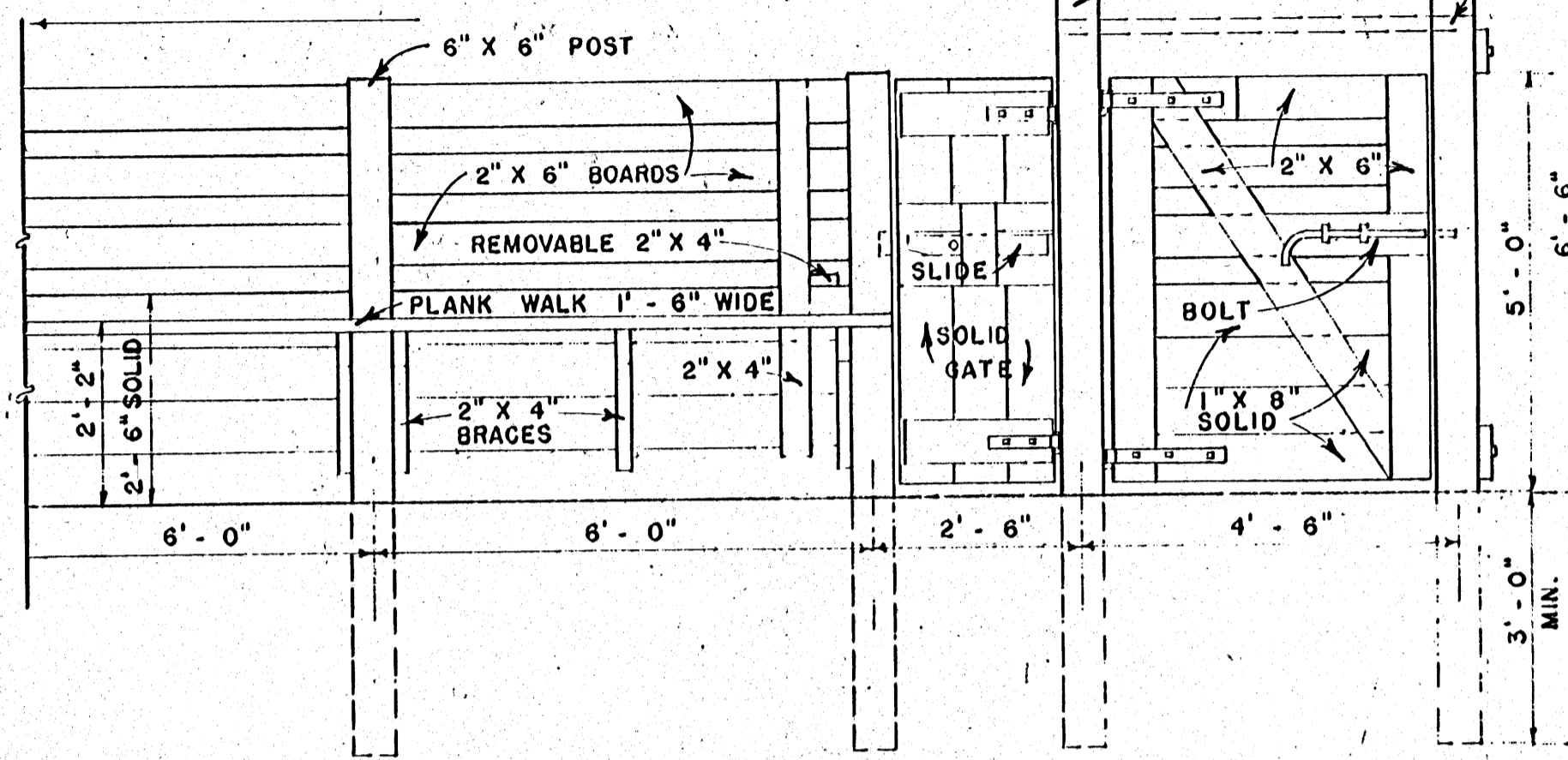
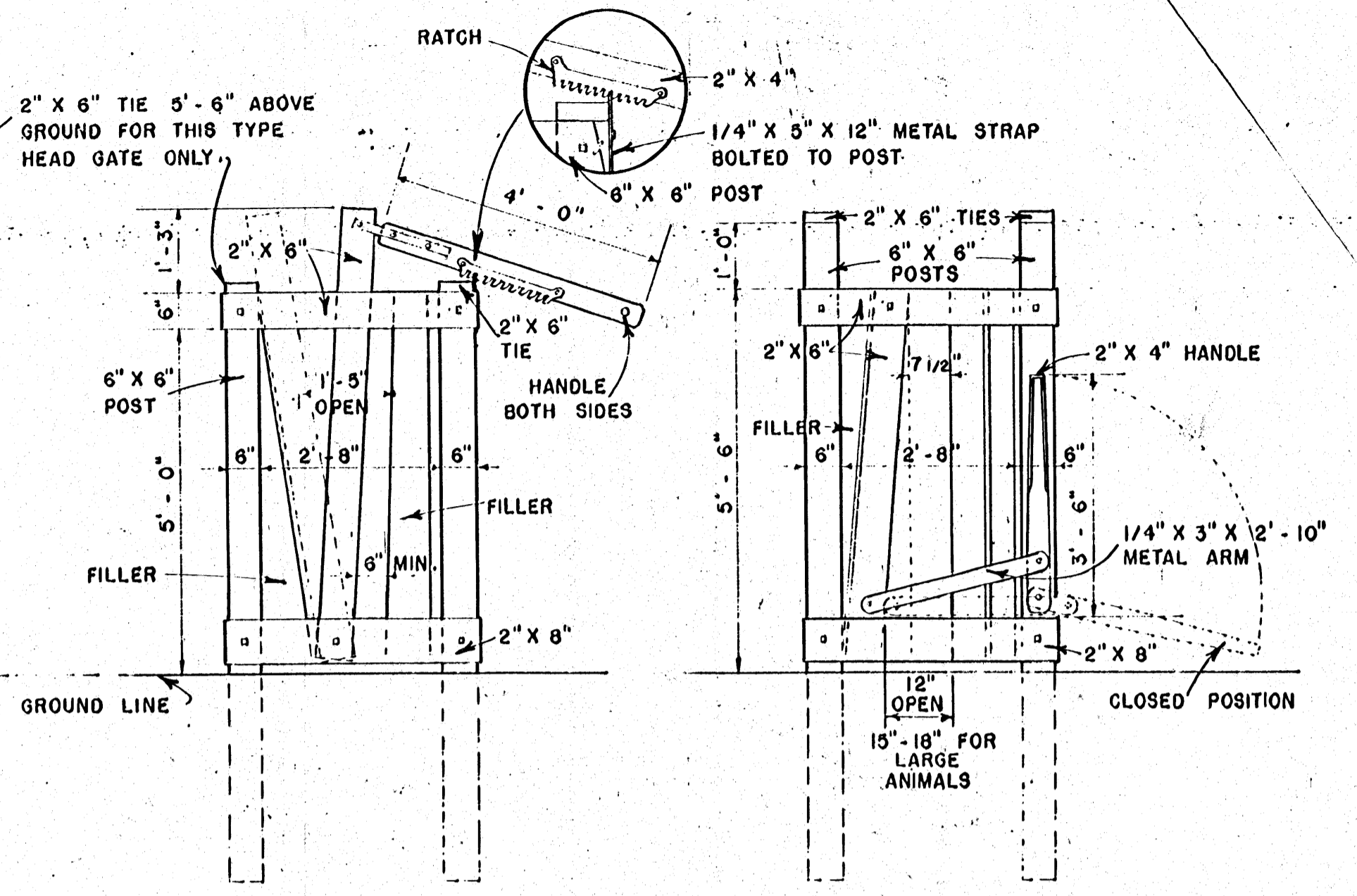


CONTINUE CHUTE AS DESIRED
POSTS 6'-0" O.C.



SIDE ELEVATION

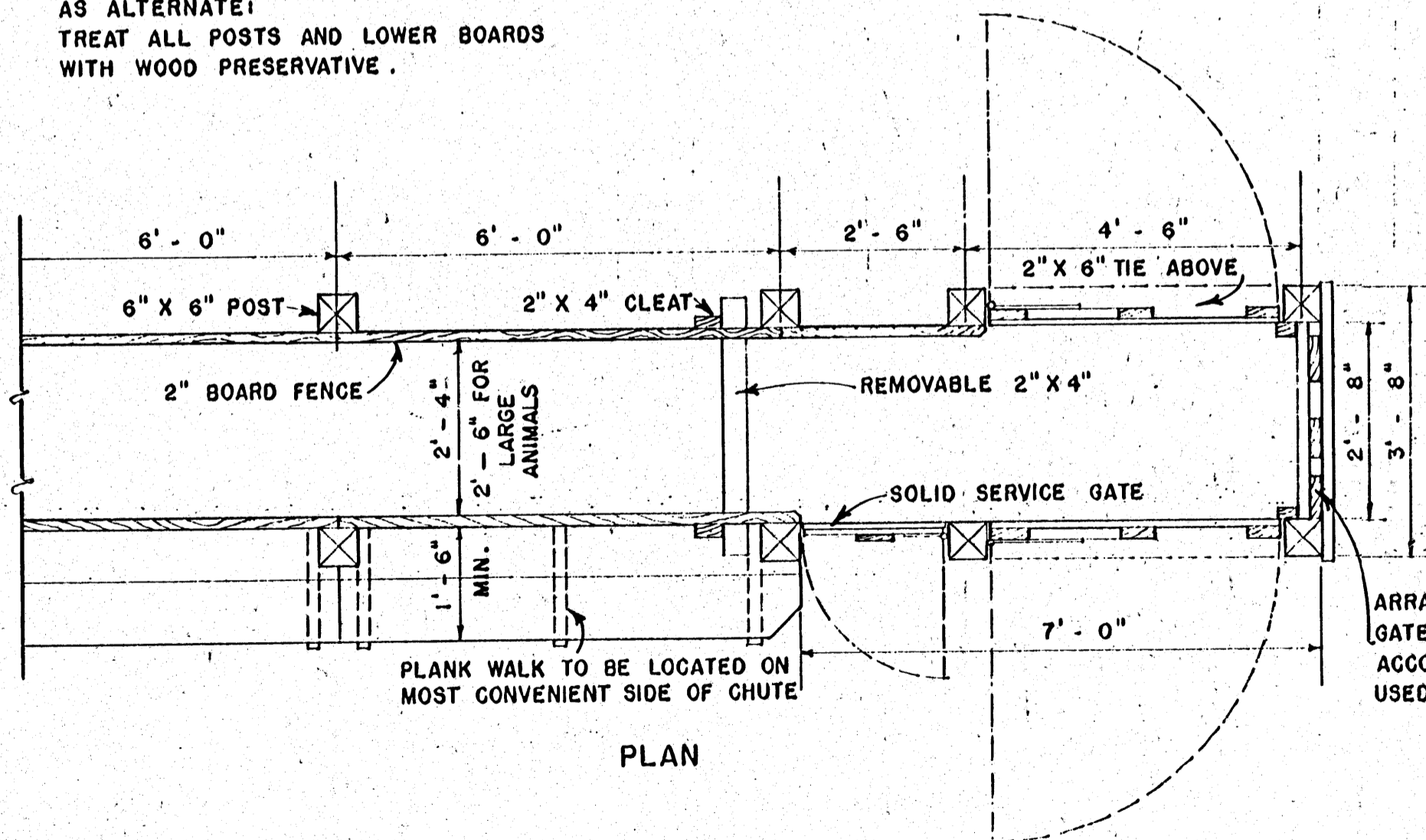


HEAD GATE
ELEVATION

ALTERNATE
HEAD GATE

NOTE

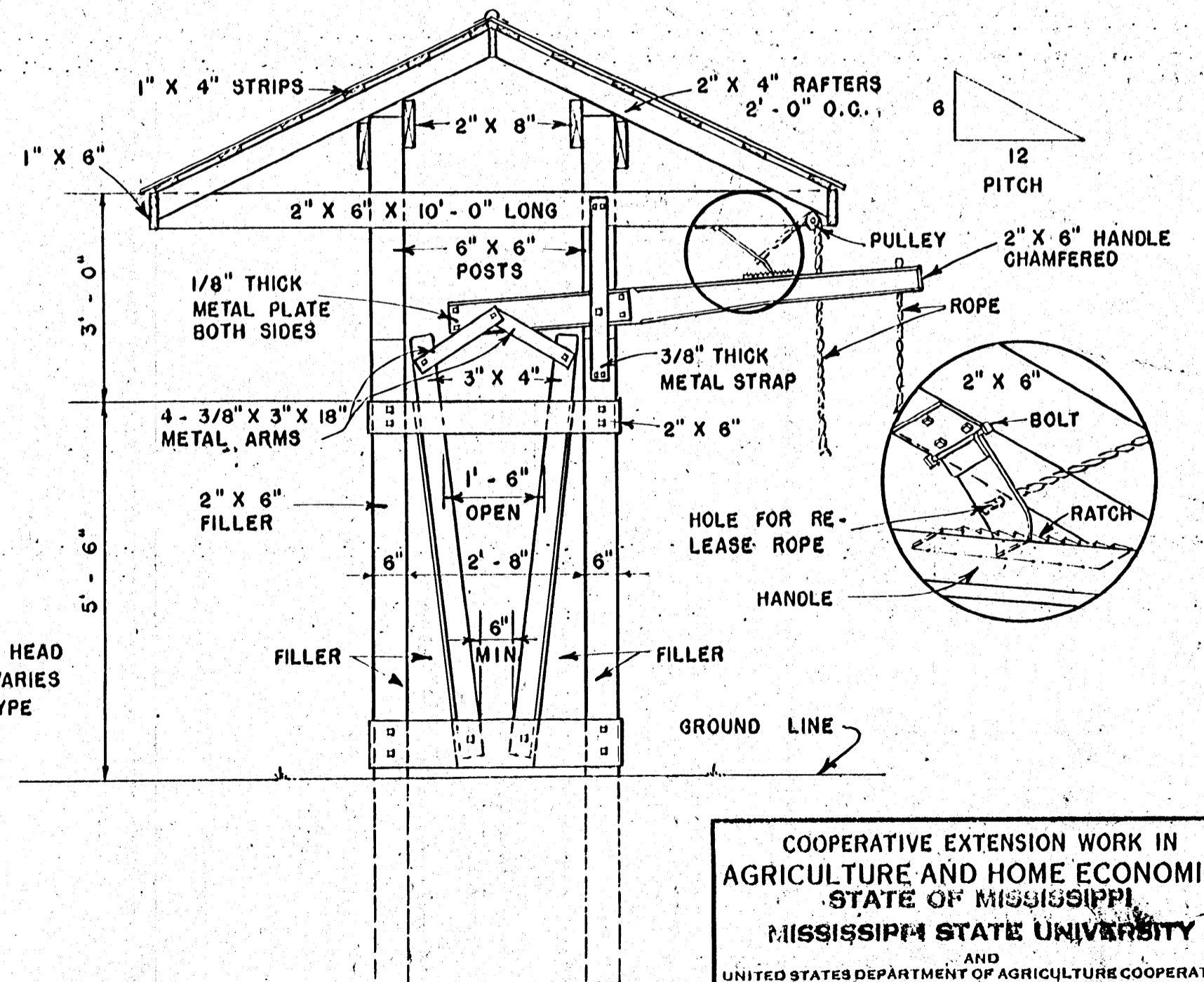
PRESSURE TREATED LUMBER IS PREFERRED.
AS ALTERNATE:
TREAT ALL POSTS AND LOWER BOARDS
WITH WOOD PRESERVATIVE.



PLAN

CATTLE HOLDING CHUTE & HEAD GATE

SCALE: 1/2" = 1'-0"



COVERED TYPE HEAD GATE

COOPERATIVE EXTENSION WORK IN
AGRICULTURE AND HOME ECONOMICS
STATE OF MISSISSIPPI
MISSISSIPPI STATE UNIVERSITY
AND
UNITED STATES DEPARTMENT OF AGRICULTURE COOPERATING

**CATTLE HOLDING CHUTE
AND HEAD GATES**

MD. '53 EX. 5778 SHEET 1 OF 1