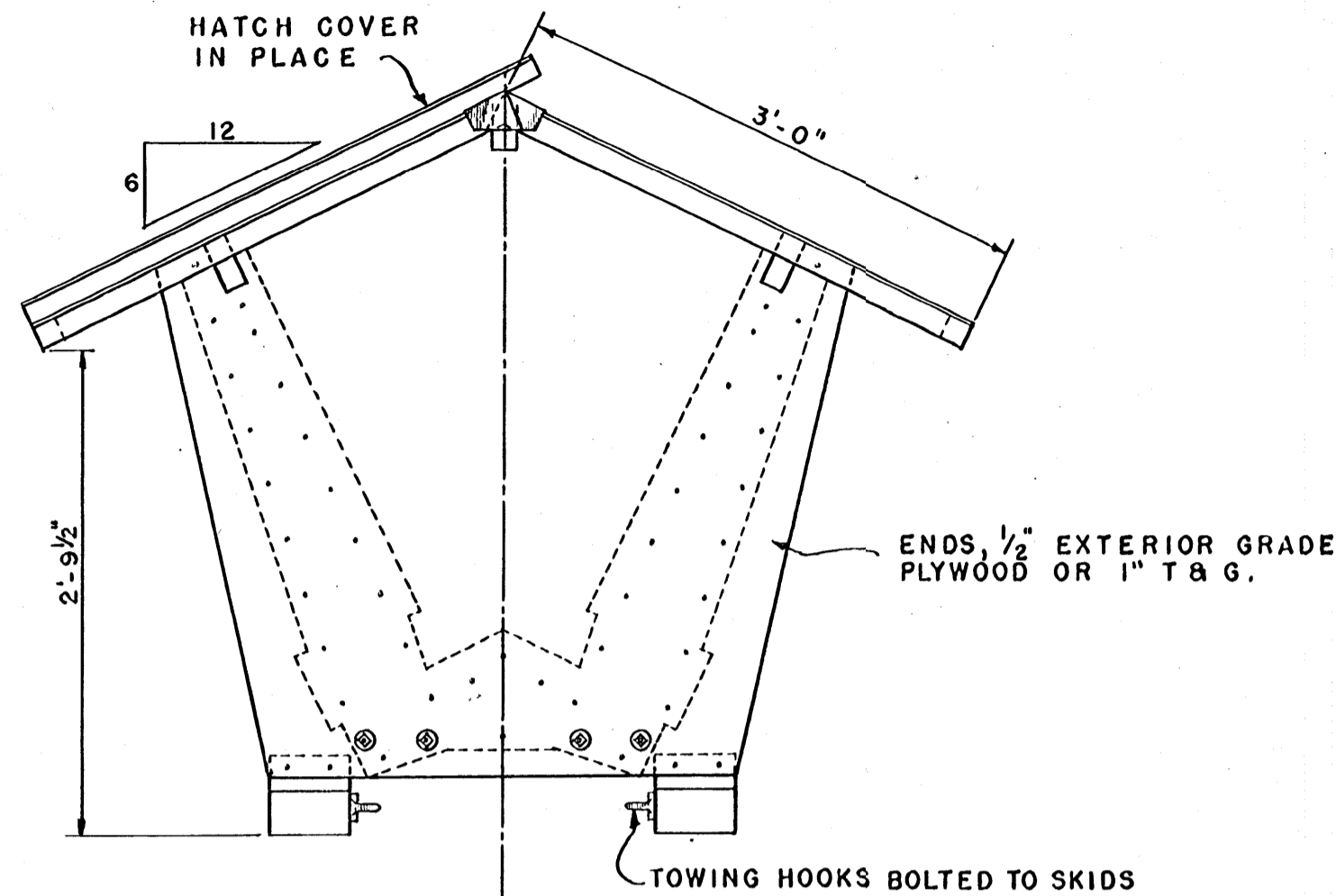
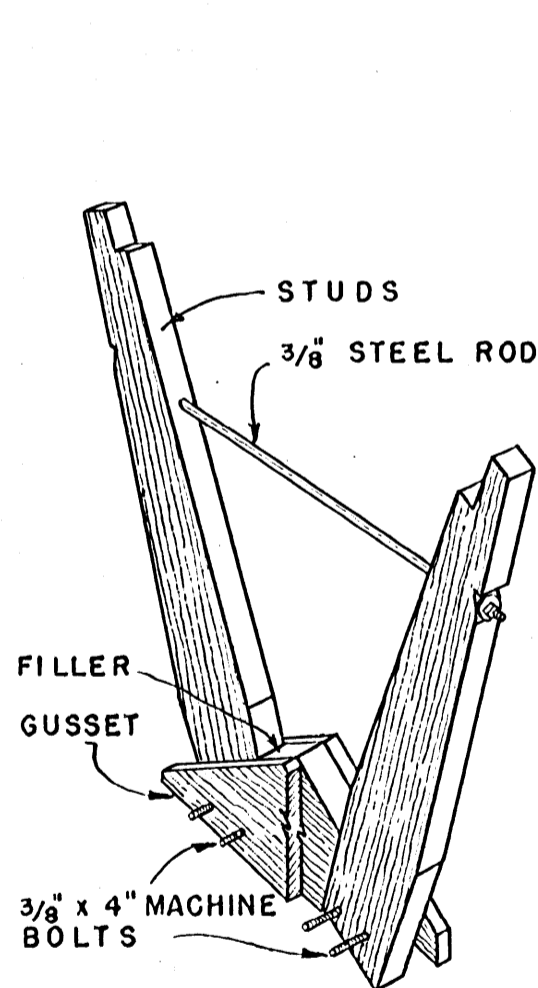
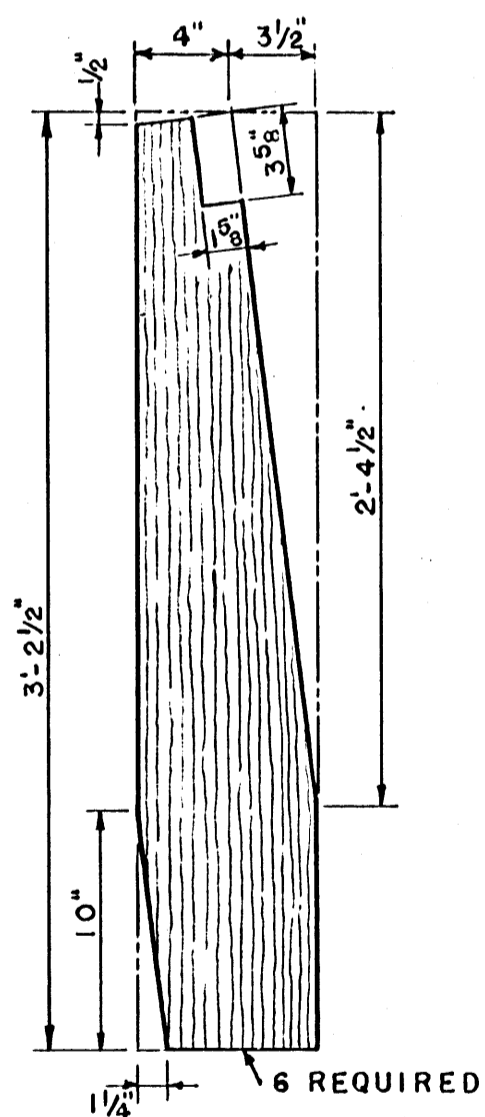


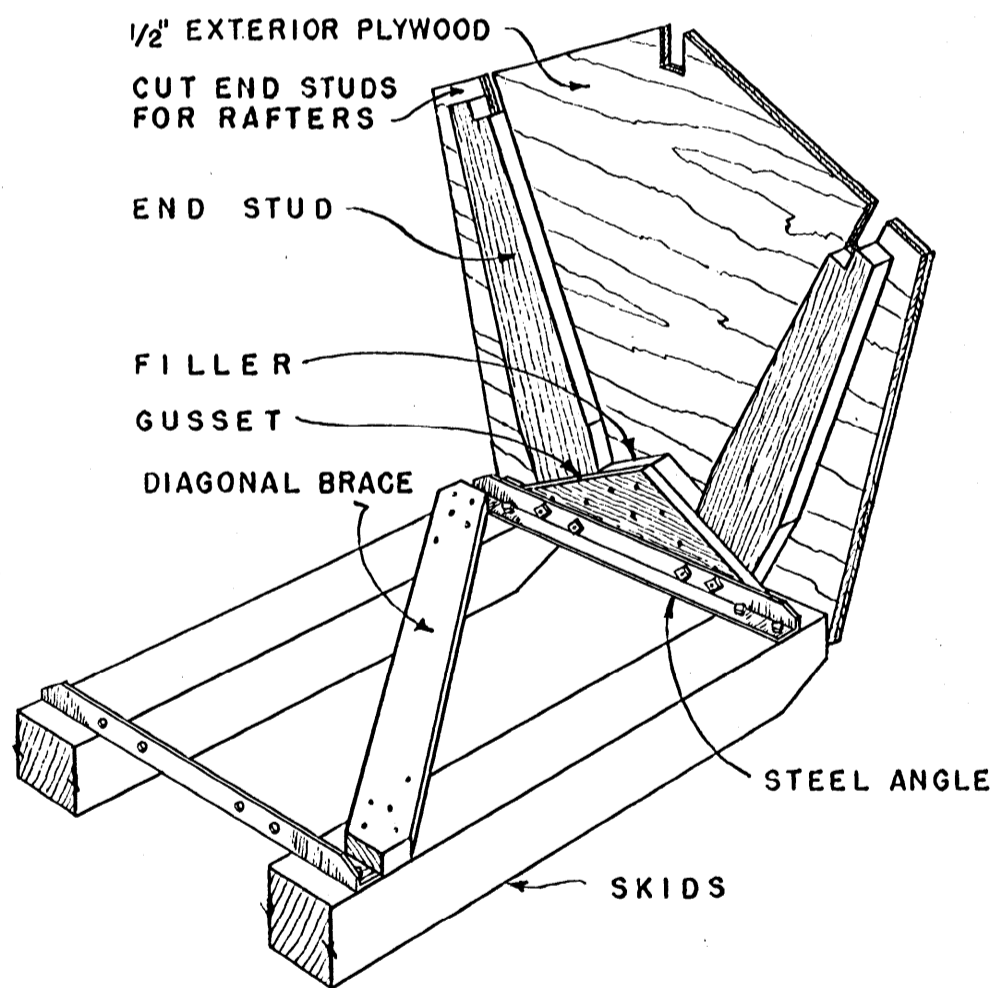
SIDE ELEVATION
CUT AWAY TO SHOW CONSTRUCTION
SCALE 1" = 1'-0"



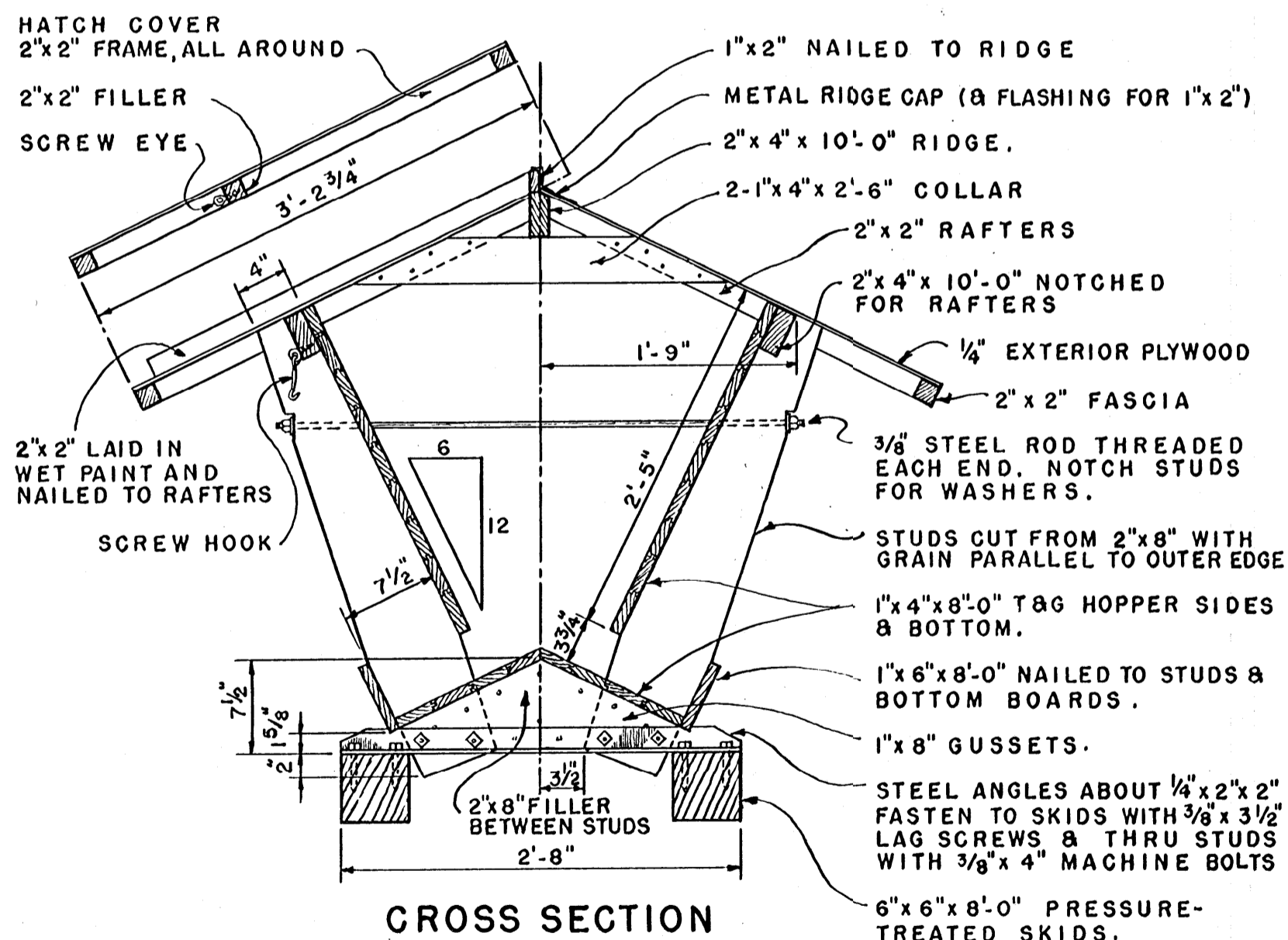
END ELEVATION



CENTER FRAME ASSEMBLY



END WALL DETAIL & SKID BRACING



CROSS SECTION

LIST OF MATERIALS

THIS LIST OF MATERIALS IS PREPARED FOR ESTIMATING PURPOSES. IF USED FOR THE PURCHASE OF MATERIALS, THE QUANTITIES SHOULD BE VERIFIED BY THE BUILDER

ITEM	SIZE	PIECES	ITEM	SIZE	PIECES
SKIDS (PRESSURE TREATED)	6" x 6" x 8'-0"	2	ENDS (EXTERIOR PLYWOOD)	4'-0" x 8'-0" x 1/2"	1
STUDS & FILLER	2" x 8" x 12'-0"	2	TOP (EXTERIOR PLYWOOD)	4'-0" x 10'-0" x 1/4"	2
BRACE, FRAME & RIDGE	2" x 4" x 10'-0"	4	METAL RIDGE CAP	6" x 10'-6" LONG	1
FRAME, FILLER & RAFTERS	2" x 2" x 8'-0"	2	TOWING HOOKS		2
" " " "	2" x 2" x 12'-0"	4	STEEL ANGLES	1/4" x 2" x 2" x 2'-8"	4
FASCIA	2" x 2" x 10'-0"	2	STEEL ROD (WASHERS & NUTS)	3/8" x 3'-6"	1
GUSSETS	1" x 8" x 8'-0"	1	HOOKS & EYES	3"	2
FEED STOP	1" x 6" x 8'-0"	2	LAG SCREWS	3/8" x 3 1/2"	16
COLLARS	1" x 4" x 10'-0"	1	MACHINE BOLTS	3/8" x 4"	12
RIDGE PIECE	1" x 2" x 4'-0"	1			
SIDES & BOTTOM, T & G	1" x 4" x 8'-0"	26	PLYWOOD TO BE SEALED & PAINTED		

NOTES:
THIS FEEDER PROVIDES 16' OF TROUGH SPACE AND A HOPPER CAPACITY OF APPROXIMATELY 22 BUSHELS OF FEED.

COOPERATIVE EXTENSION WORK IN
AGRICULTURE AND HOME ECONOMICS
STATE OF MISSISSIPPI
MISSISSIPPI STATE UNIVERSITY
AND
UNITED STATES DEPARTMENT OF AGRICULTURE COOPERATING

**SELF FEEDER
FOR SHEEP**

USDA '55 EX. 5808 SHEET 1 OF 1

BASED ON CALIFORNIA PLAN NO. C-72-1