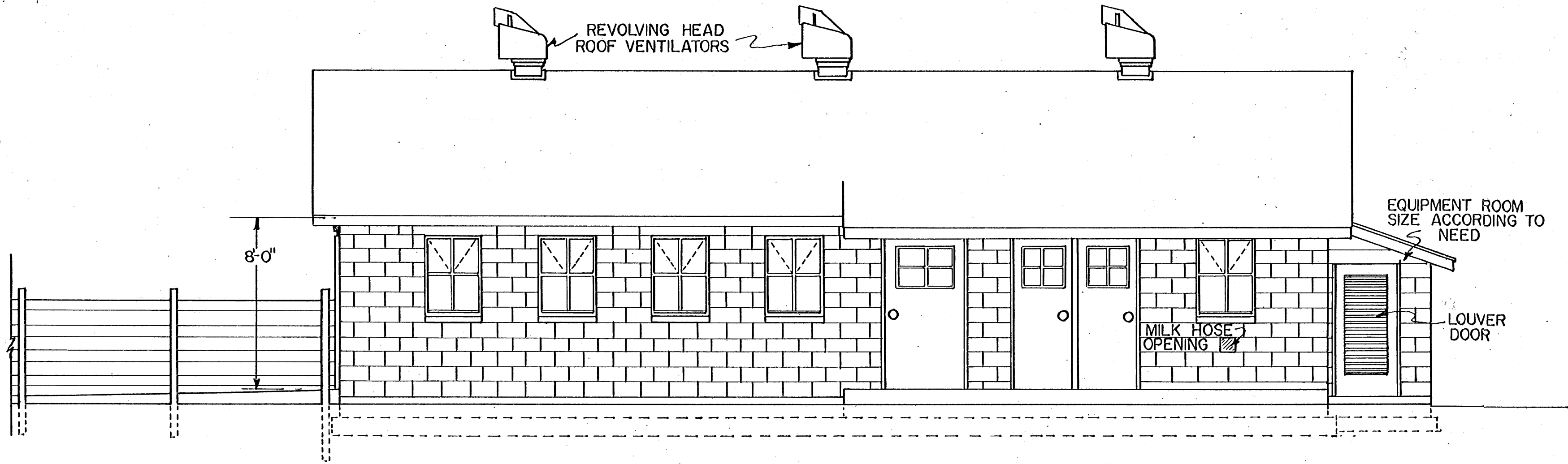


COOPERATIVE EXTENSION WORK IN
 AGRICULTURE AND HOME ECONOMICS
 STATE OF MISSISSIPPI
 MISSISSIPPI STATE UNIVERSITY
 AND
 UNITED STATES DEPARTMENT OF AGRICULTURE COOPERATING

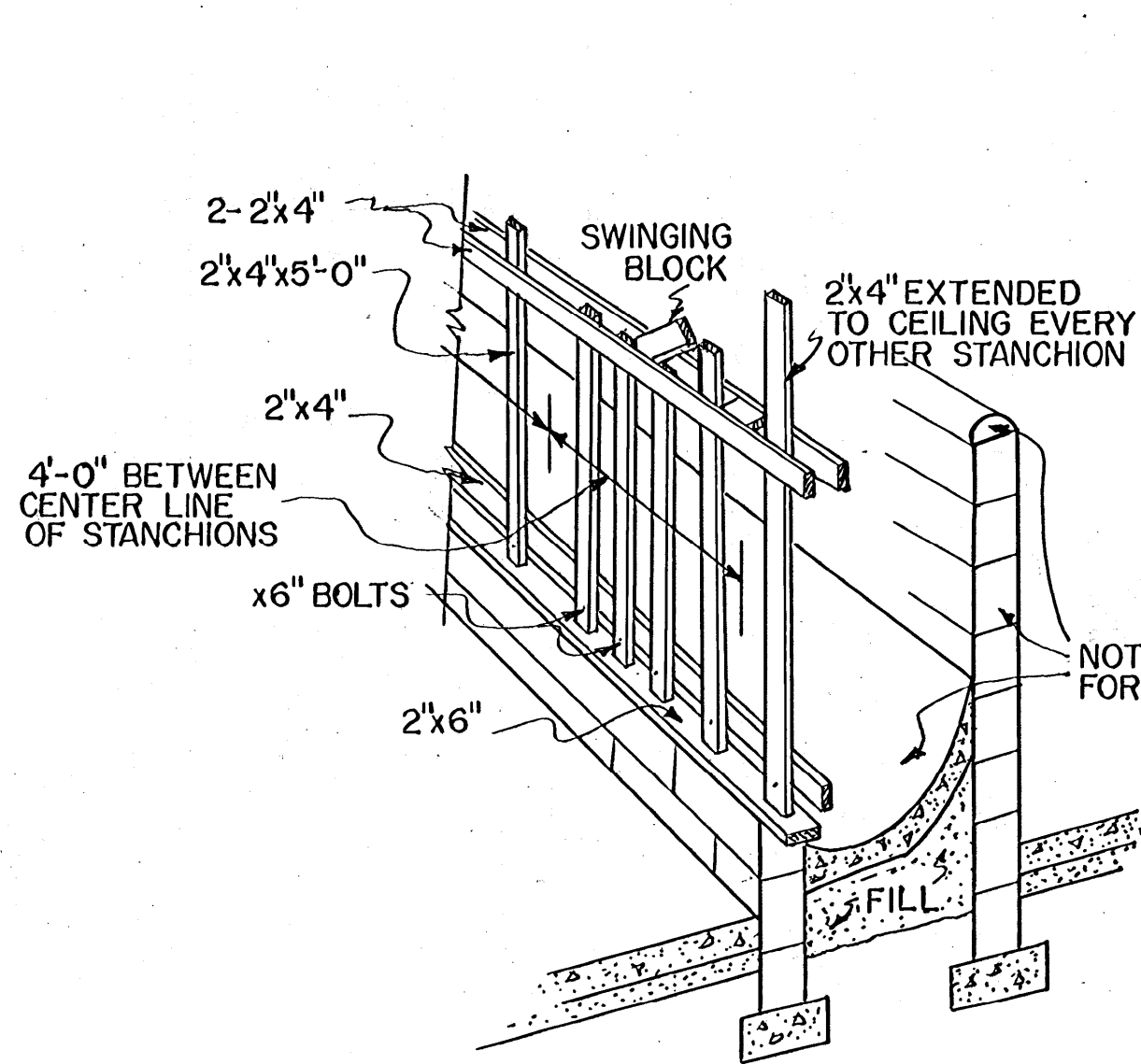
**10 COW STANCHION
 TYPE-GRADE A BARN**

MISS 76 | 5868-D | SHEET 1 OF 3

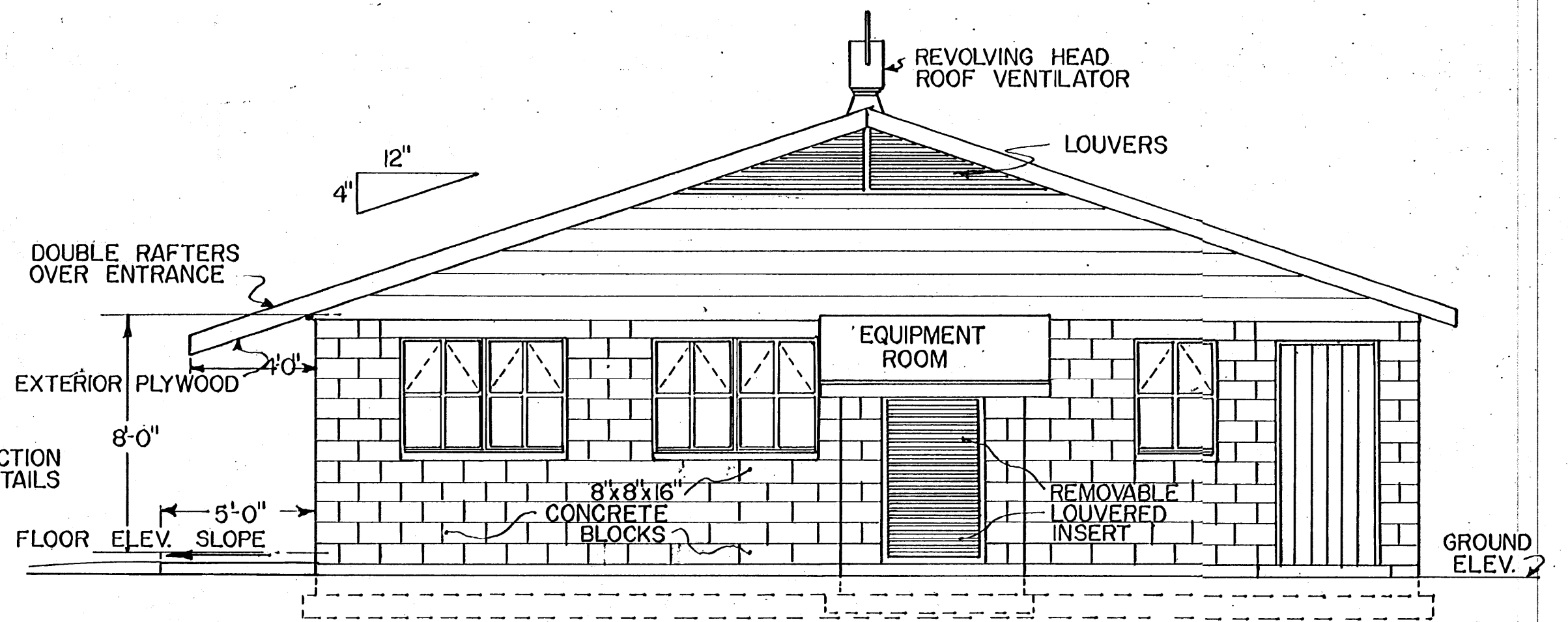


FRONT ELEVATION

SCALE: 1/4" = 1'-0"

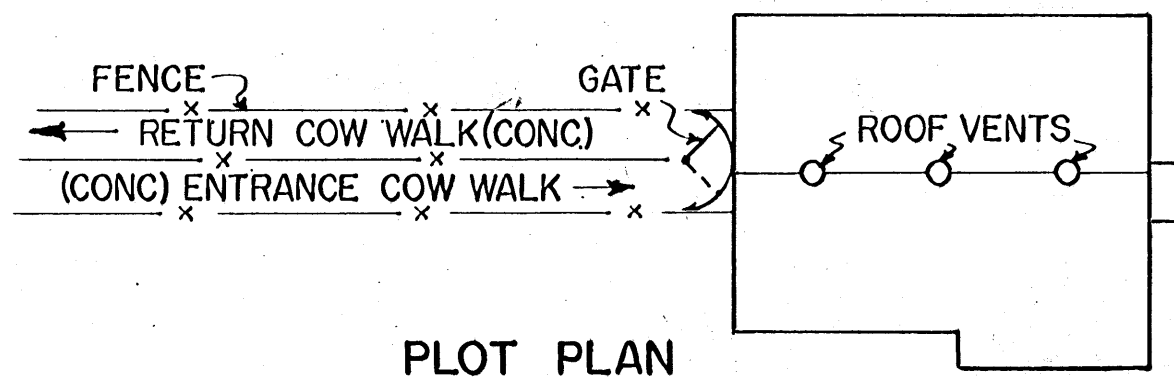


WOOD STANCHION DETAIL



RIGHT END ELEVATION

SCALE: 1/4" = 1'-0"



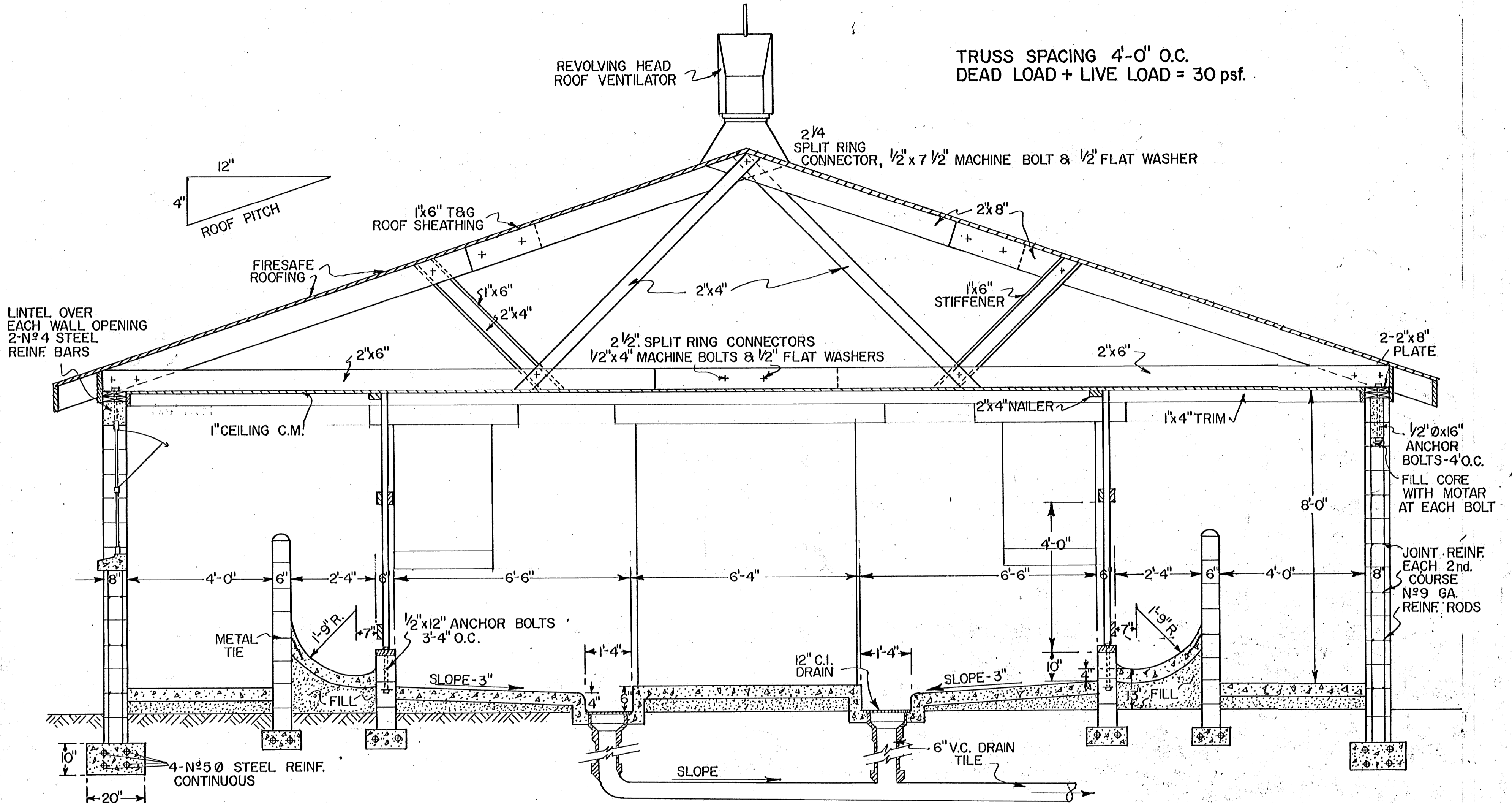
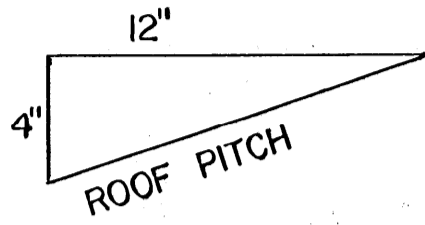
COOPERATIVE EXTENSION WORK IN
 AGRICULTURE AND HOME ECONOMICS
 STATE OF MISSISSIPPI
 MISSISSIPPI STATE UNIVERSITY
 AND
 UNITED STATES DEPARTMENT OF AGRICULTURE COOPERATING

**10 COW STANCHION
 TYPE-GRADE · A · BARN**

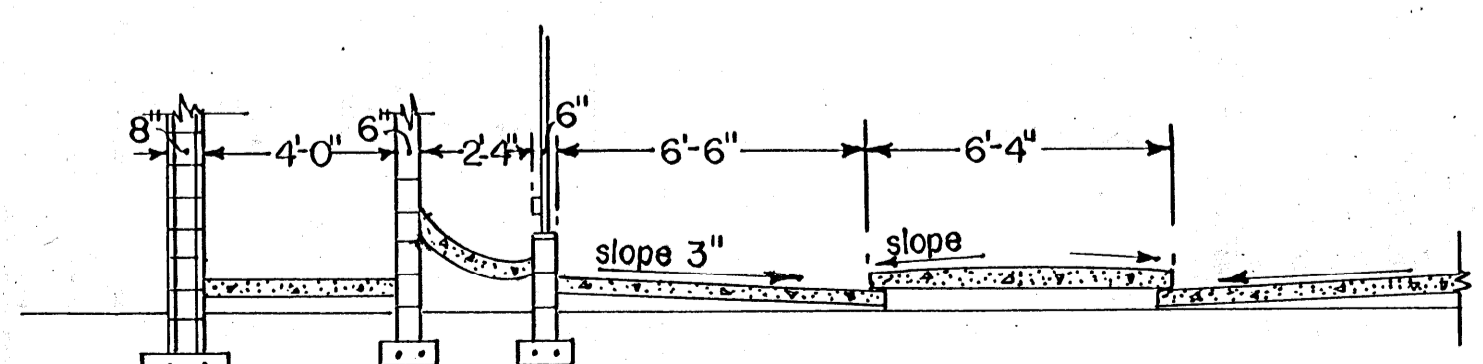
MISS 76 | 5868-D | SHEET 2 OF 3

REVOLVING HEAD
ROOF VENTILATOR

TRUSS SPACING 4'-0" O.C.
DEAD LOAD + LIVE LOAD = 30 psf.



CROSS-SECTION
SCALE: 1/2" = 1'-0"



ALTERNATE STANCHION DETAIL

COOPERATIVE EXTENSION WORK IN
AGRICULTURE AND HOME ECONOMICS
STATE OF MISSISSIPPI
MISSISSIPPI STATE UNIVERSITY
AND
UNITED STATES DEPARTMENT OF AGRICULTURE COOPERATING

**10 COW STANCHION
TYPE- GRADE · A · BARN**

MISS. 76	5868-D	SHEET 3 OF 3
----------	--------	--------------