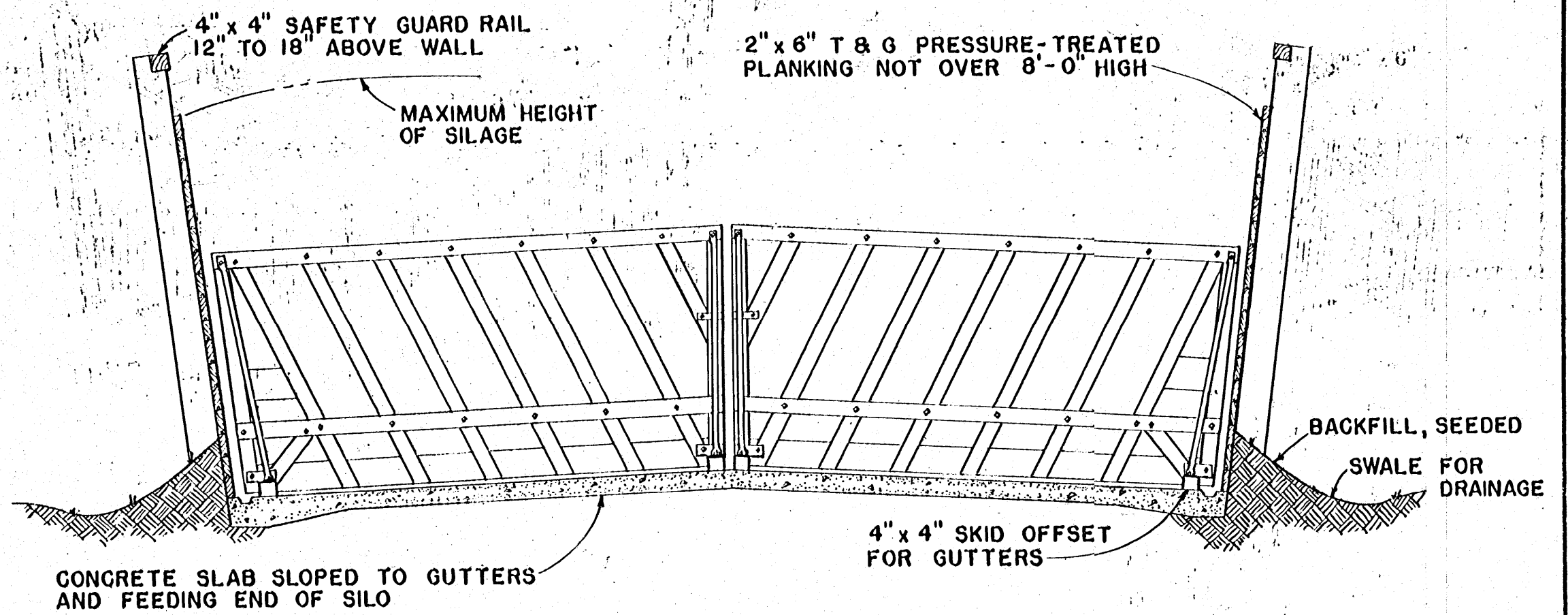
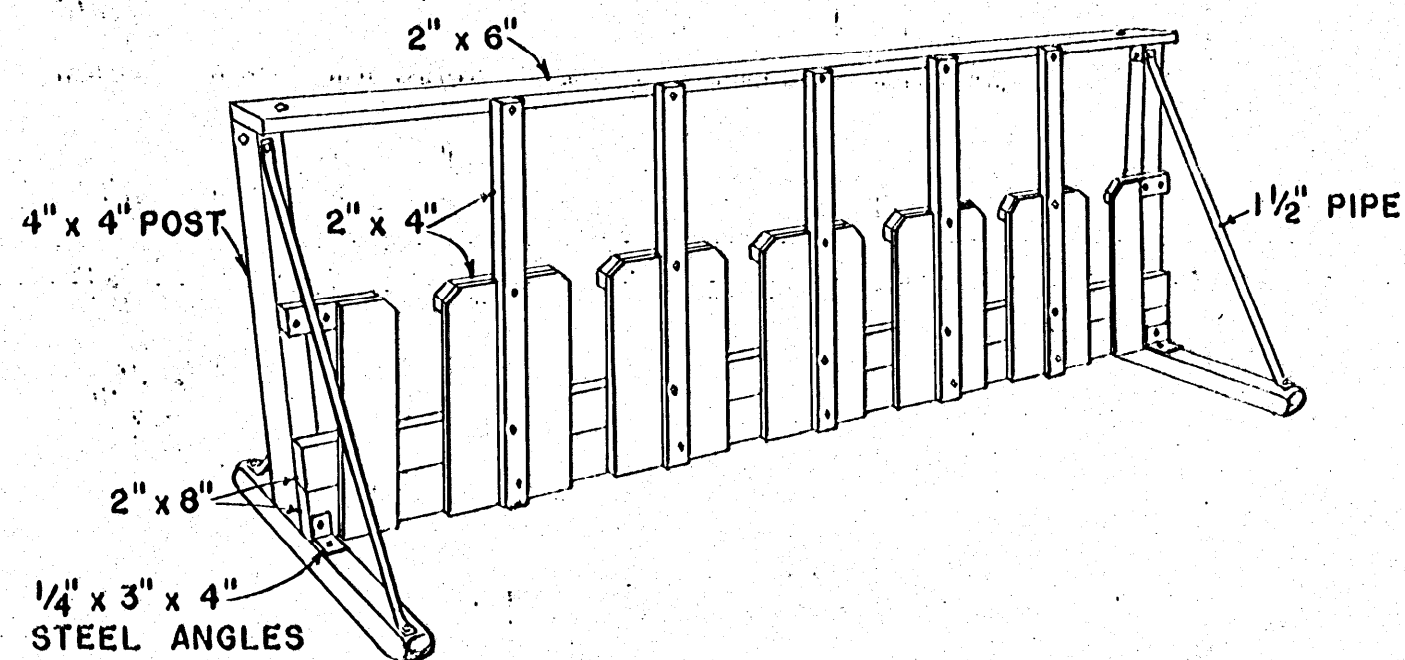


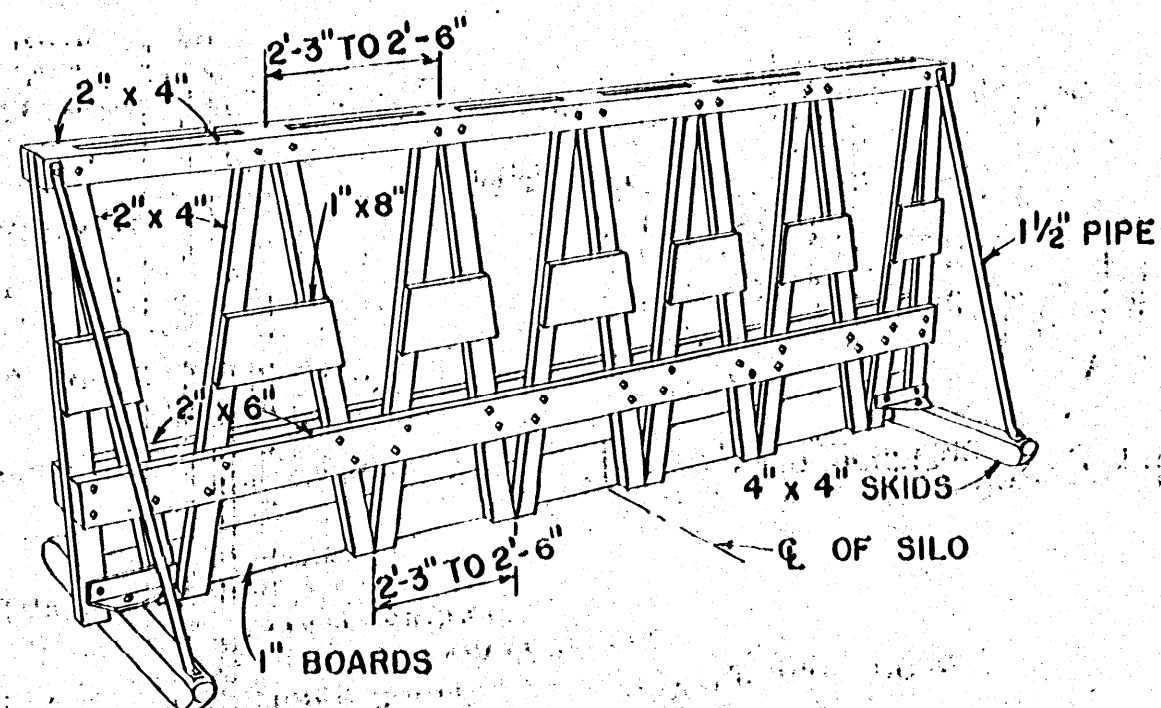
SLANTED OPENINGS



SECTION THROUGH TYPICAL SILO



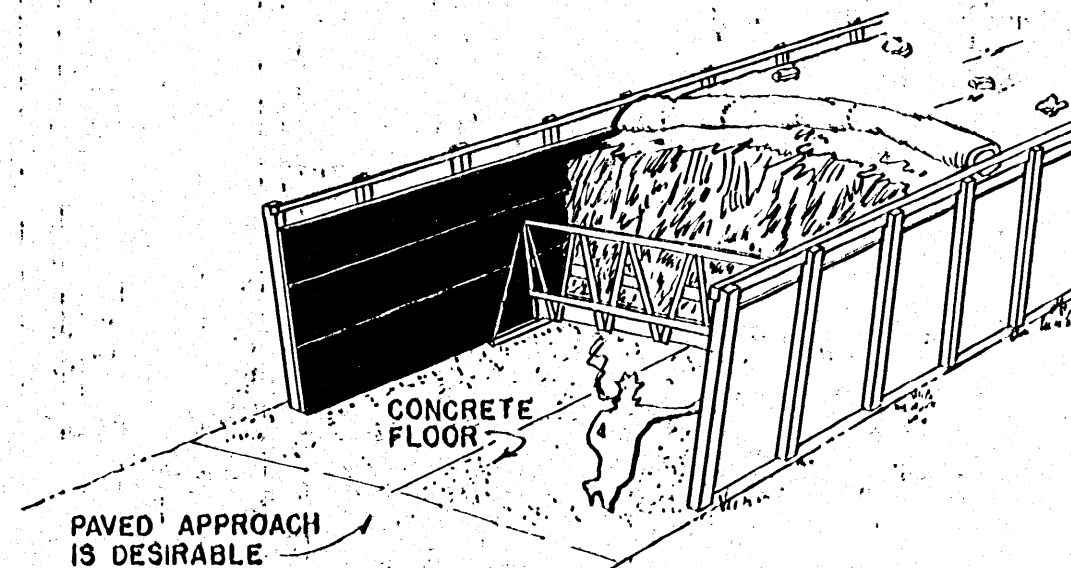
T-SHAPED OPENINGS



V-SHAPED OPENINGS

GENERAL NOTES

- A... THE FENCES SHOWN ON THIS PLAN MAY BE ADAPTED FOR USE IN SILOS OF ANY WIDTH AND MAY BE MOUNTED ON SKIDS, SUSPENDED FROM A BEAM, OR SUSPENDED AND SUPPORTED BY WHEELS RIDING ON 4" x 4" FASTENED TO WALLS OF SILO AS SHOWN ON SH. 2. WHEN MOUNTED ON SKIDS, THEY MAY BE BUILT IN ONE OR TWO SECTIONS BUT A SINGLE SECTION SHOULD NOT EXCEED 16 FEET IN LENGTH. THE PLATFORM TYPE SHOWN ON SH. 2 PROVIDES GREATER STABILITY AND PREVENTS THE CATTLE FROM PUSHING THE FENCE.
- B... THE SHAPE OF THE FENCE SHOULD CONFORM TO THE SHAPE OF THE SILO, WITH CLEARANCE OF ABOUT 3" FROM WALL, 1" FROM THE FLOOR AND 6" BETWEEN SECTIONS.
- C... ON SUSPENDED FENCES STOPS SHOULD BE PROVIDED TO PREVENT THE CATTLE FROM PUSHING THE FENCE.
- D... THE 1" x 12" MANGER BOARD SET AT AN ANGLE OF ABOUT 45° ON THE SILAGE SIDE REDUCES THE WASTE OF FEED AND SHOULD BE USED ON ALL TYPES OF FENCES.
- E... THE WALLS OF SELF-FEEDING SILOS SHOULD NOT BE OVER 8'-0" HIGH.
- F... IF THE SILO HAS SEEPAGE GUTTERS ALONG THE WALLS, THE SKIDS SHOULD BE SET IN FROM THE END OF THE FENCE TO CLEAR THEM AS SHOWN. BOTTOM OF FENCE SHOULD CONFORM TO THE SHAPE OF THE SILO FLOOR.
- G... FOR GREATER DURABILITY, ALL PARTS SHOULD BE TREATED WITH A WOOD PRESERVATIVE WHICH IS NOT TOXIC TO CATTLE.
- H... ALL FENCES ARE 5'-0" HIGH. ADJUST HEIGHT TO BOTTOM OF OPENINGS TO SUIT SIZE OF CATTLE TO BE FED.
- I... USE WASHERS UNDER ALL MACHINE BOLTS AND LAG SCREWS BEARING ON WOOD.

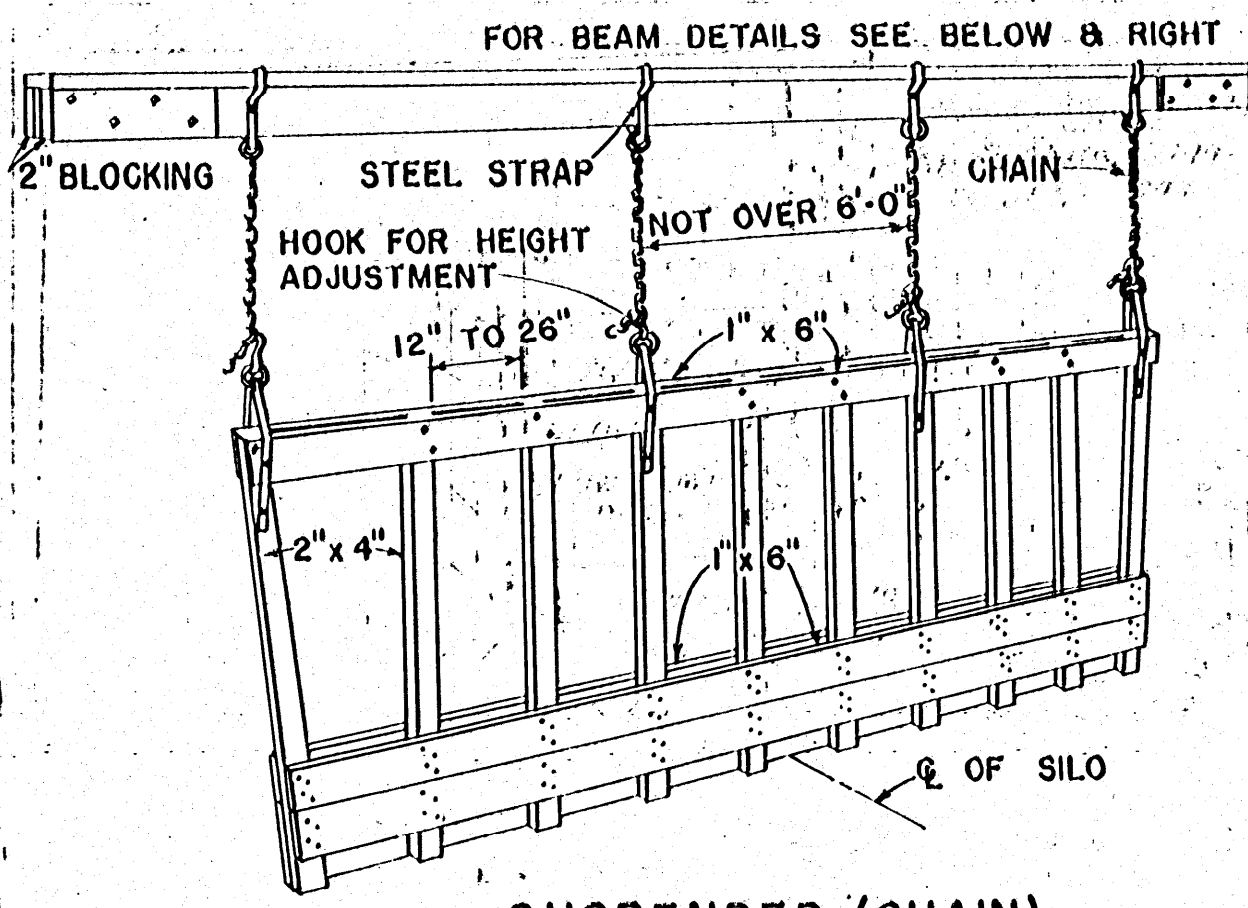


VIEW OF SELF-FEEDING BUNKER SILO

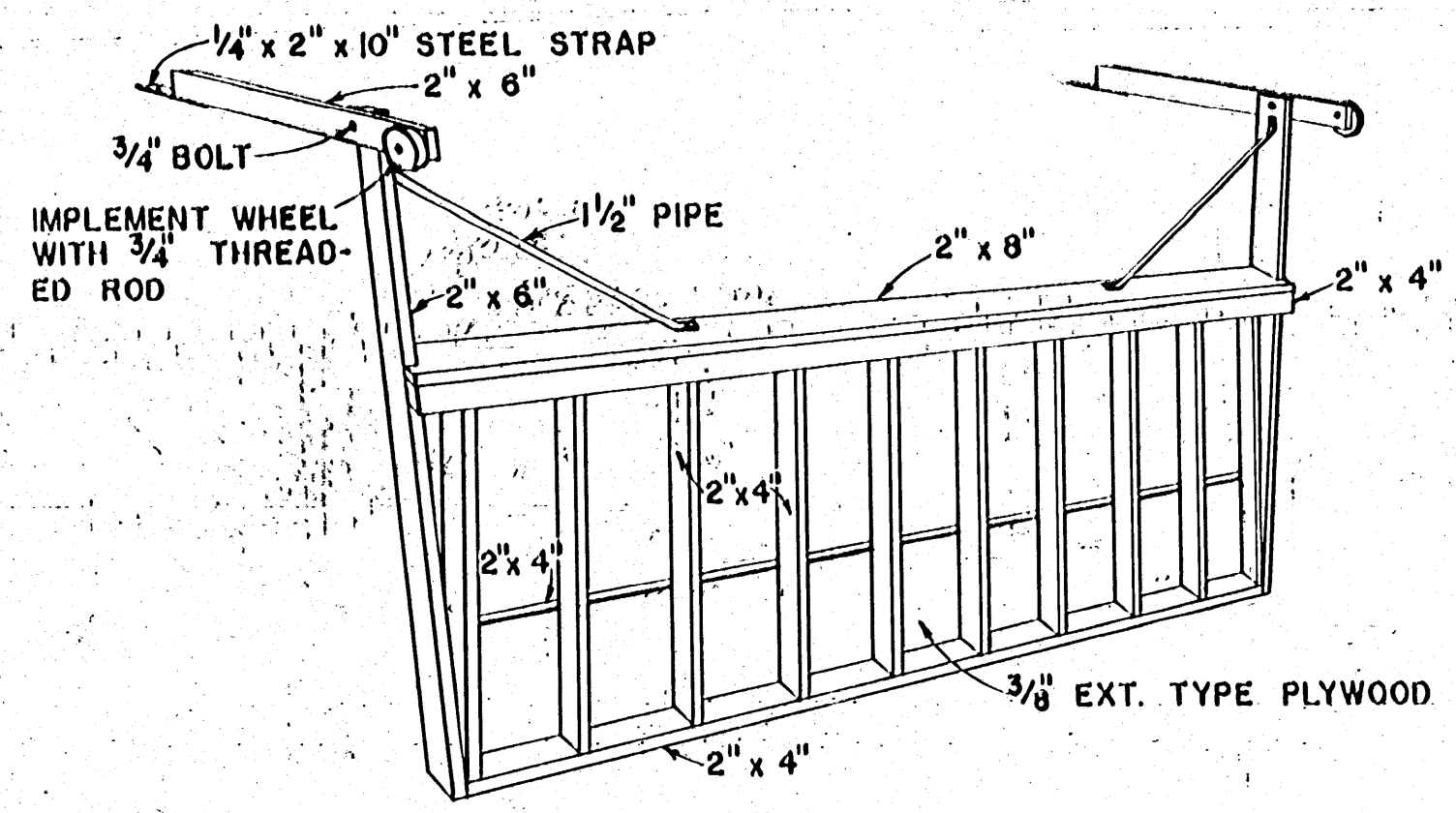
COOPERATIVE EXTENSION WORK IN
 AGRICULTURE AND HOME ECONOMICS
 STATE OF MISSISSIPPI
 MISSISSIPPI STATE UNIVERSITY
 UNITED STATES DEPARTMENT OF AGRICULTURE COOPERATING

**SELF-FEEDING FENCES
 FOR BUNKER OR TRENCH SILO**

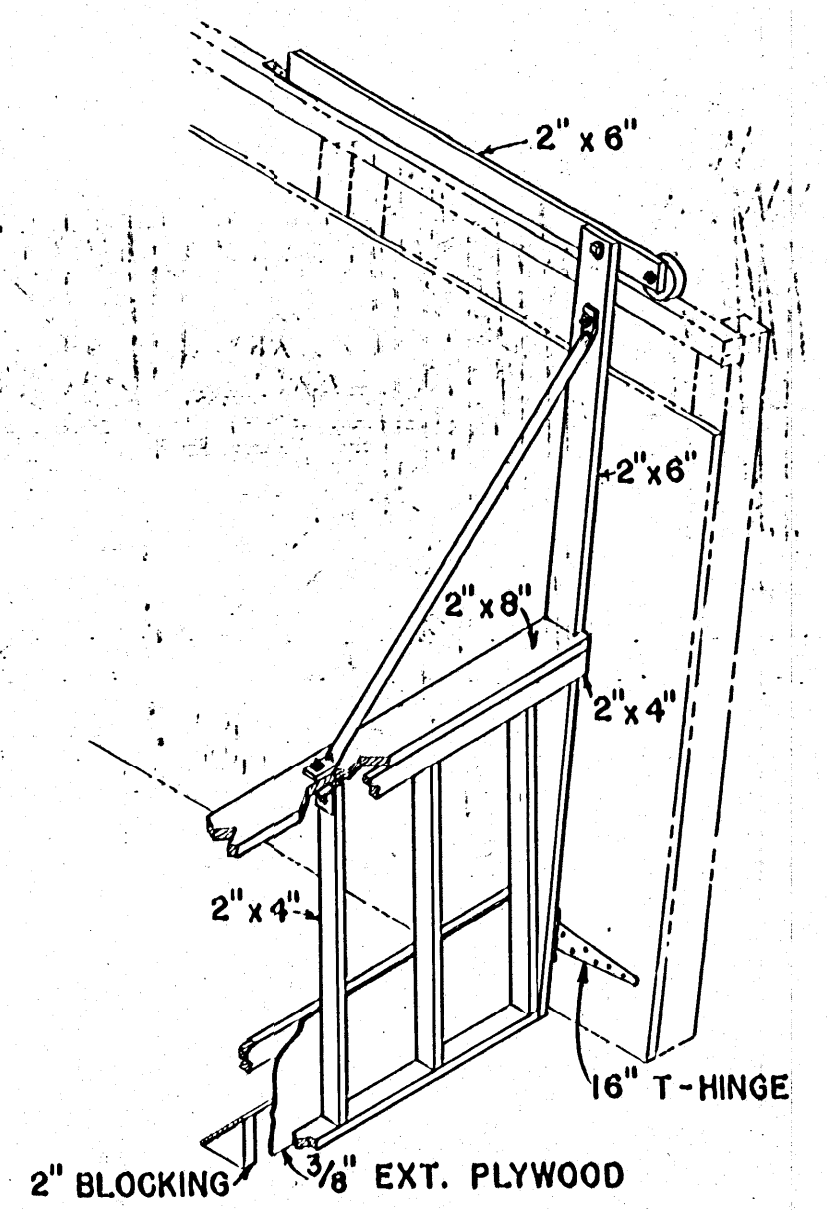
USDA '59 EX. 5872 SHEET 1 OF 2



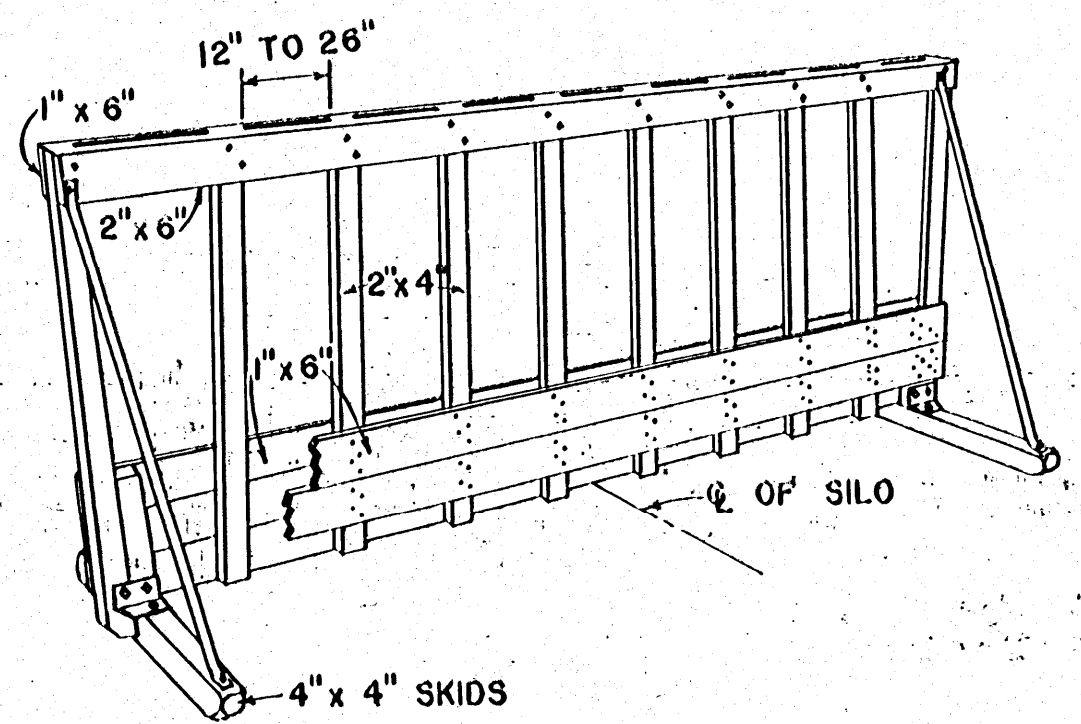
SUSPENDED (CHAIN)



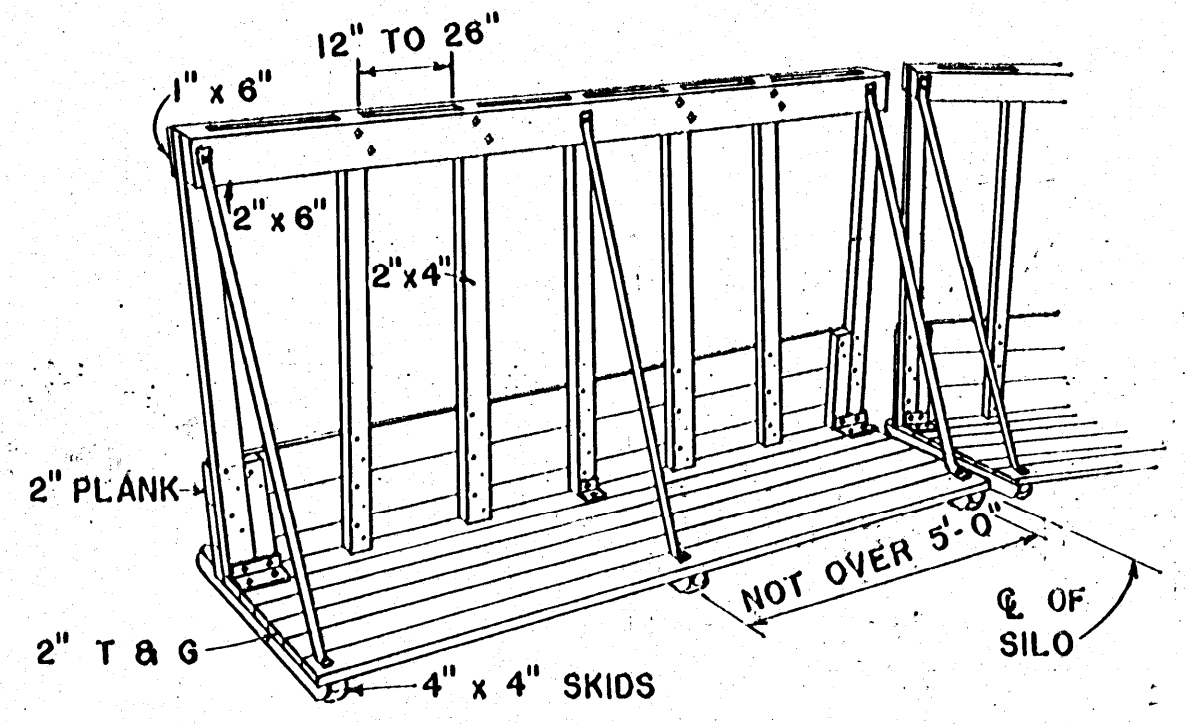
SUSPENDED (WHEELS)



SUSPENDED FENCE DETAIL

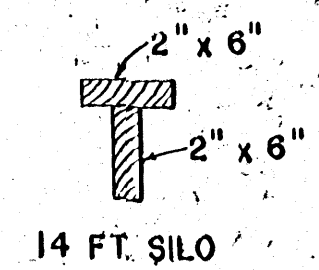


SKID MOUNTED

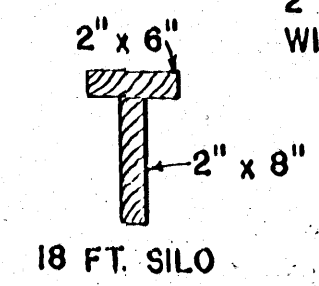


SKID MOUNTED WITH PLATFORM

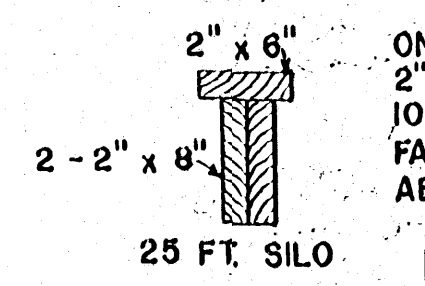
FENCES WITH RECTANGULAR OPENINGS
SEE SHEET 1 FOR OTHER TYPES



14 FT. SILO
ON 14 & 18 FT. SILOS NAIL 2" x 6" CAP TO WEB MEMBER WITH 20d NAILS 16" O.C.

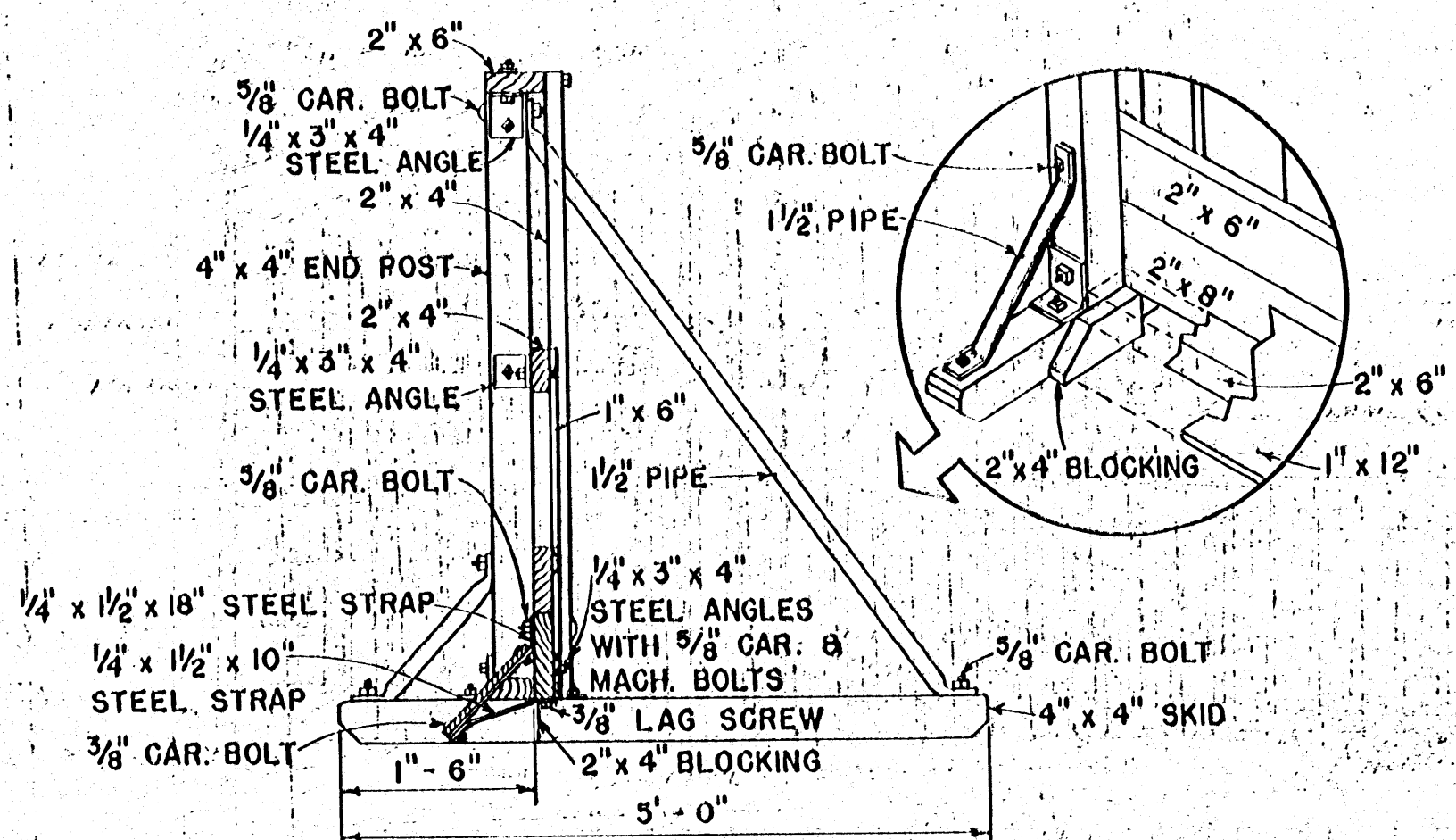


18 FT. SILO
ON 14 & 18 FT. SILOS NAIL 2" x 6" CAP TO WEB MEMBER WITH 20d NAILS 16" O.C.

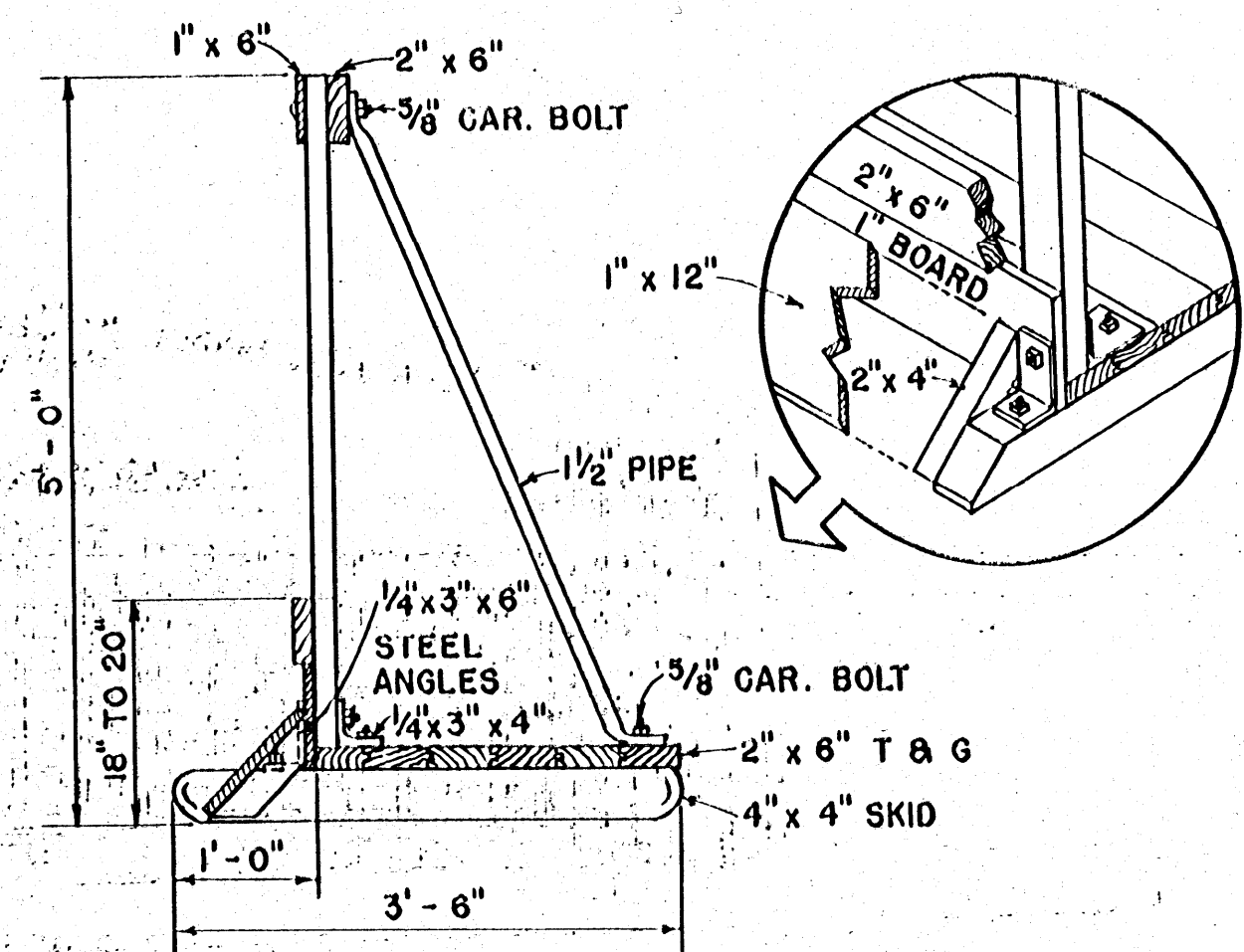


25 FT. SILO
ON 25 FT. SILO NAIL DOUBLE 2" x 8" WEB TOGETHER WITH 10d NAILS 16" O.C. STAGGERED. FASTEN GAP SAME AS ABOVE.

BEAM DETAILS



END VIEW DETAIL OF FENCES WITHOUT PLATFORM



END VIEW DETAIL OF FENCES WITH PLATFORM

COOPERATIVE EXTENSION WORK IN AGRICULTURE AND HOME ECONOMICS
STATE OF MISSISSIPPI
MISSISSIPPI STATE UNIVERSITY
AND
UNITED STATES DEPARTMENT OF AGRICULTURE COOPERATING

SELF-FEEDING FENCES
FOR BUNKER OR TRENCH SILO

USDA 59 EX. 5872 SHEET 2 OF 2