

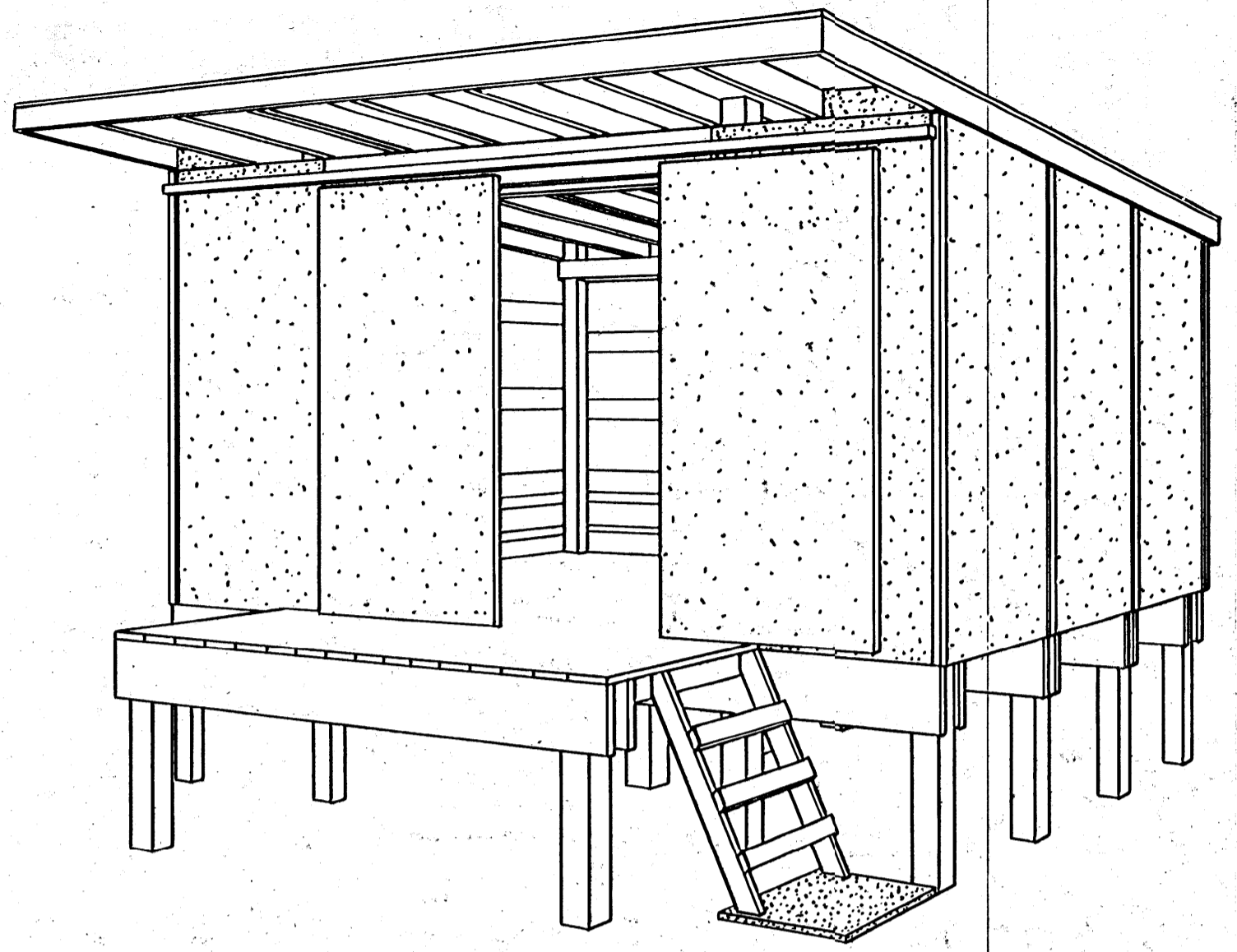
PLAN
CUT AWAY TO SHOW FLOOR FRAMING

MINIMUM SIZES OF CONCRETE FOOTINGS, AND FLOOR BEAM TO POST CONNECTIONS REQUIRED WHERE INDICATED ON PLAN.

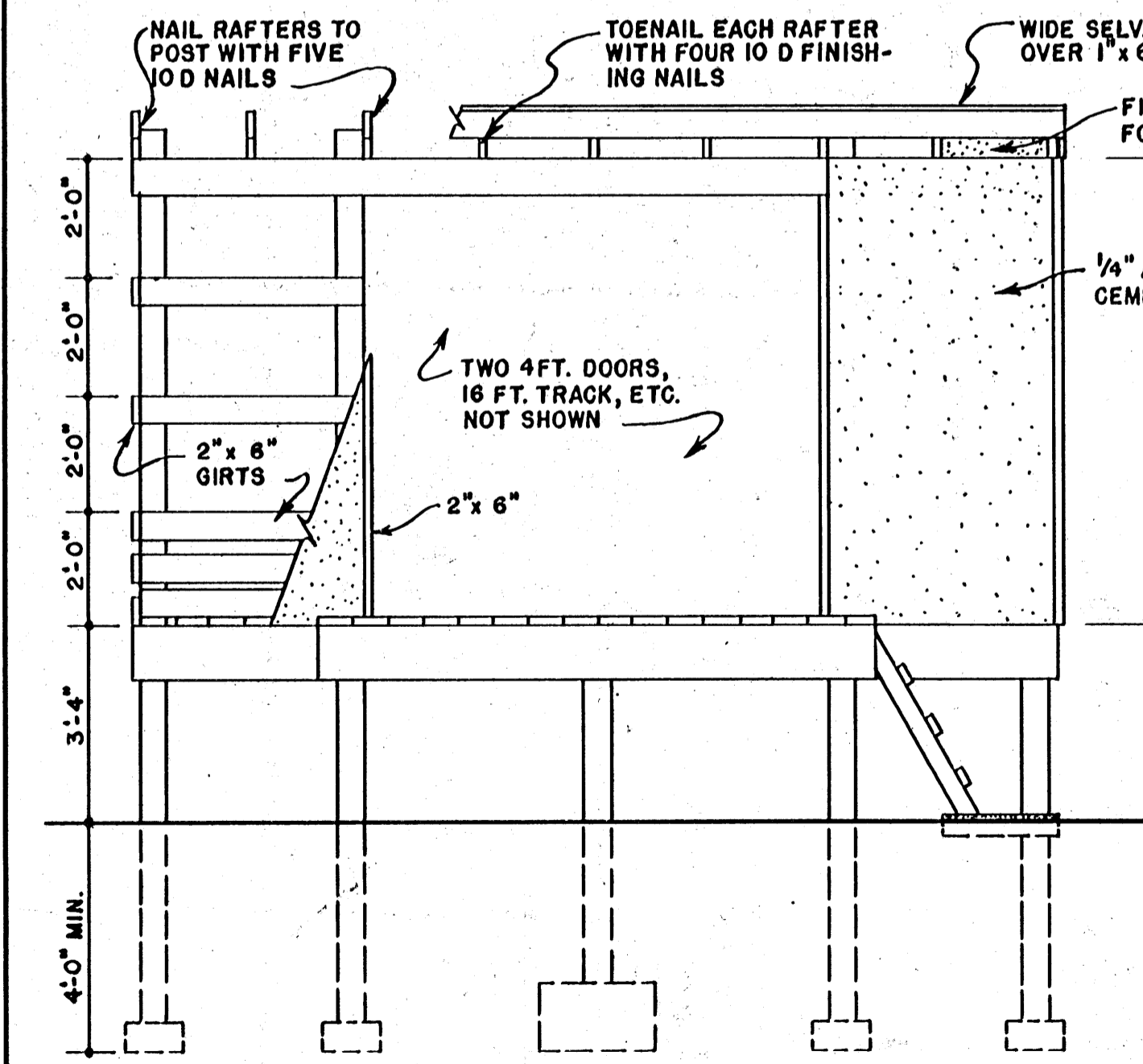
POST	DIAM.	DEPTH	BOLTS	CONNECTORS
A	12"	x 6"	TWO + FOUR	
B	18"	x 10"	THREE + SIX	
C	18"	x 10"		
D	24"	x 14"		
E	10"	x 6"	ONE + TWO	
F	12"	x 6"	TWO + FOUR	
G	10"	x 6"		

CONNECTORS ARE 2 5/8" DIAM. TOOTHED RINGS. THE 5/8" DIAM. MACHINE BOLTS, LARGE PLATE WASHERS AND ALL NAILS SHALL BE HOT-DIP GALVANIZED OR OTHERWISE TREATED TO BE CORROSION RESISTANT.

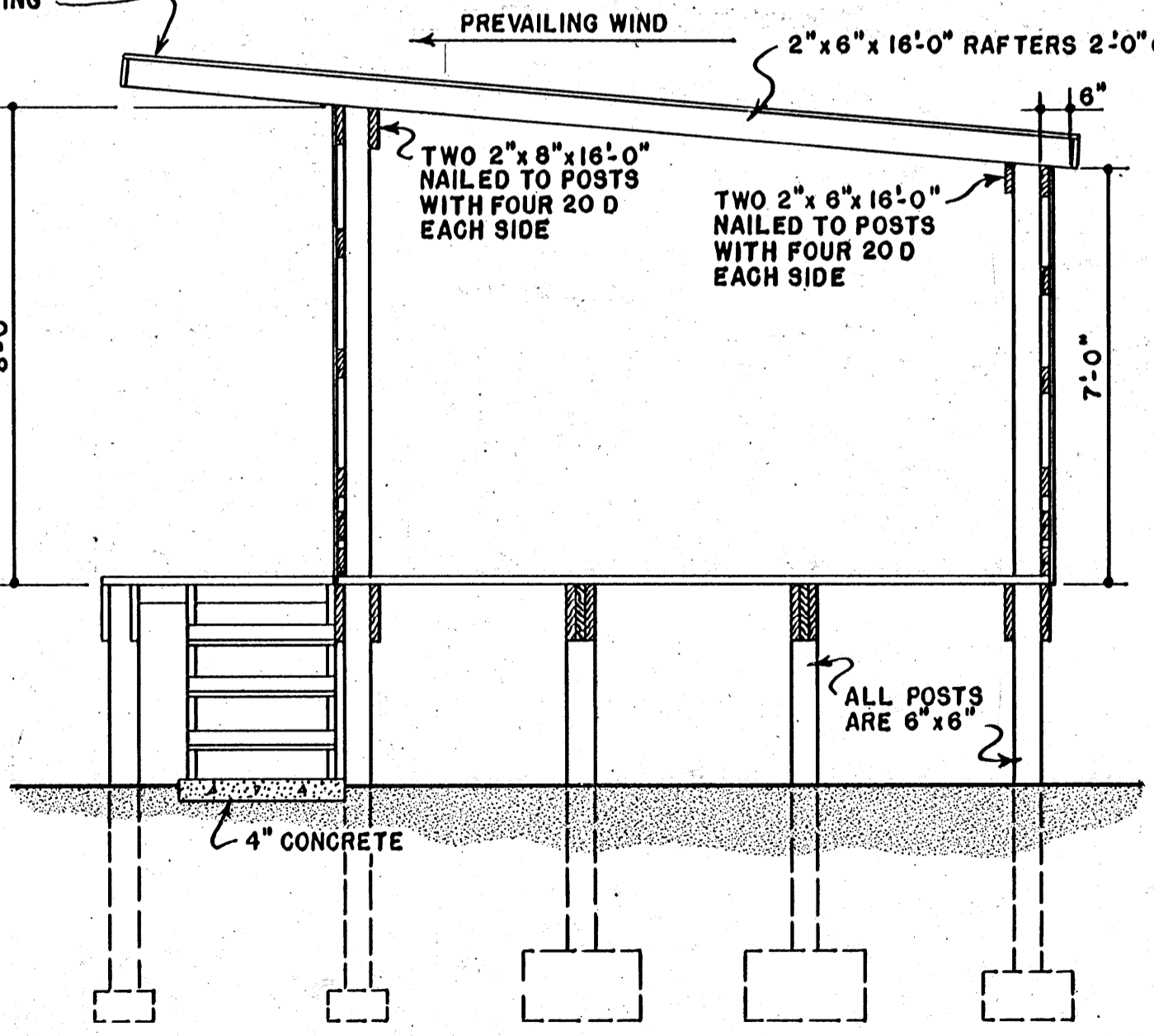
1"x3" BATTENS NAILED OVER A BEAD OF CALKING COMPOUND AT ALL PANEL JOINTS AND AT CORNERS OF SHED.



PERSPECTIVE
NO SCALE



FRONT ELEVATION
CUT AWAY TO SHOW FRAMING



SECTION X-X

POSTS, FLOOR BEAMS AND FLOORING SHOULD BE PRESSURE-TREATED WITH AN OIL BASE PRESERVATIVE TO A RETENTION OF 8 LBS. PER CUBIC FOOT.

DESIGN ASSUMPTIONS:
DRESSED LUMBER WITH ALLOWABLE FIBER STRESS OF 1,400 P.S.I.
SNOW LOAD NOT TO EXCEED 25 LBS. PER SQUARE FOOT.
SOIL BEARING CAPACITY OF 4,000 LBS. PER SQUARE FOOT.
MAXIMUM FLOOR LOAD, UNIFORMLY DISTRIBUTED, 40 TONS.

SCALE: 3/8" = 1'-0" EXCEPT AS NOTED

COOPERATIVE EXTENSION WORK IN
AGRICULTURE AND HOME ECONOMICS
STATE OF MISSISSIPPI
MISSISSIPPI STATE UNIVERSITY.
AND
UNITED STATES DEPARTMENT OF AGRICULTURE COOPERATING

STORAGE SHED FOR FERTILIZER
40 TON CAPACITY

ALA.	'63	EX. 5966	SHEET 1 OF 1
------	-----	----------	--------------