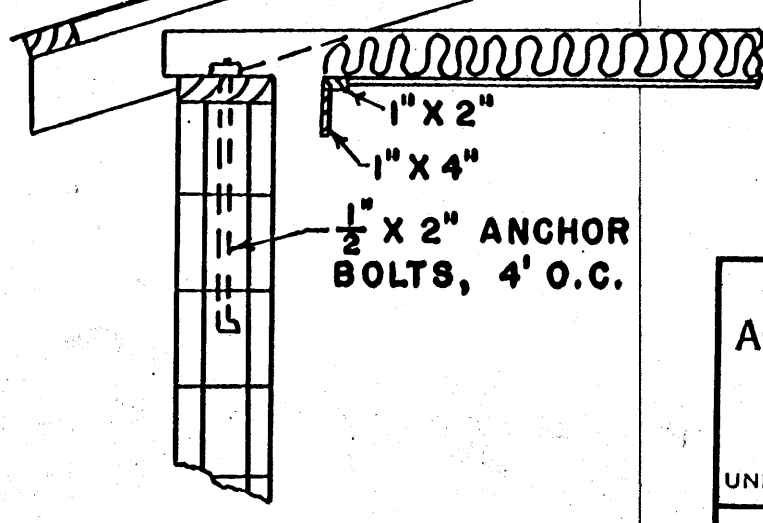
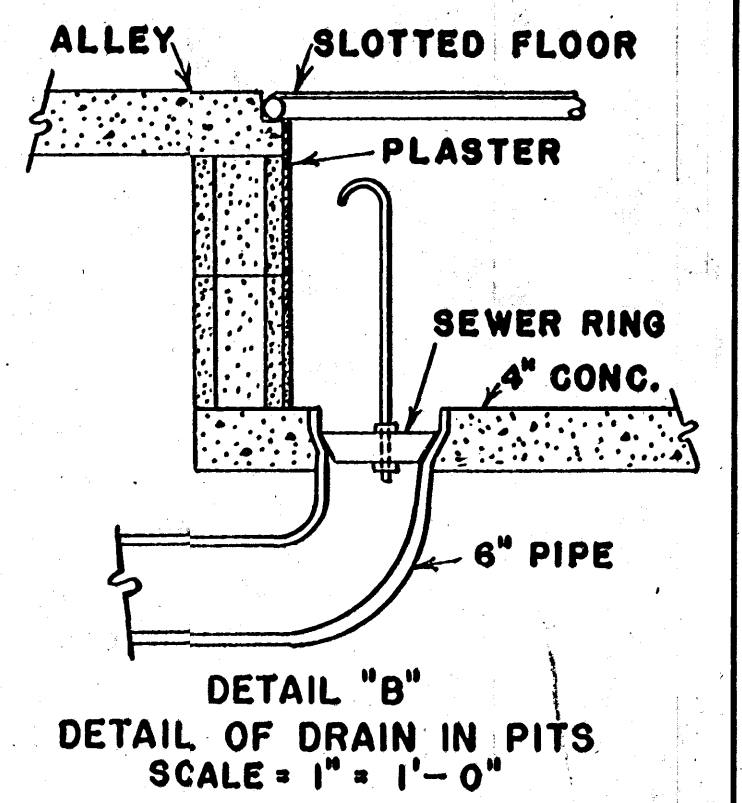
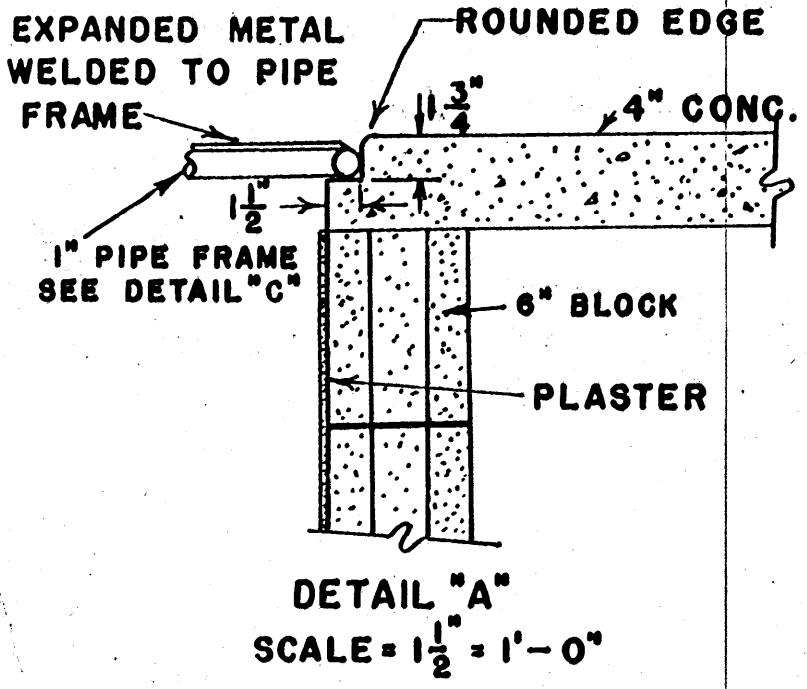
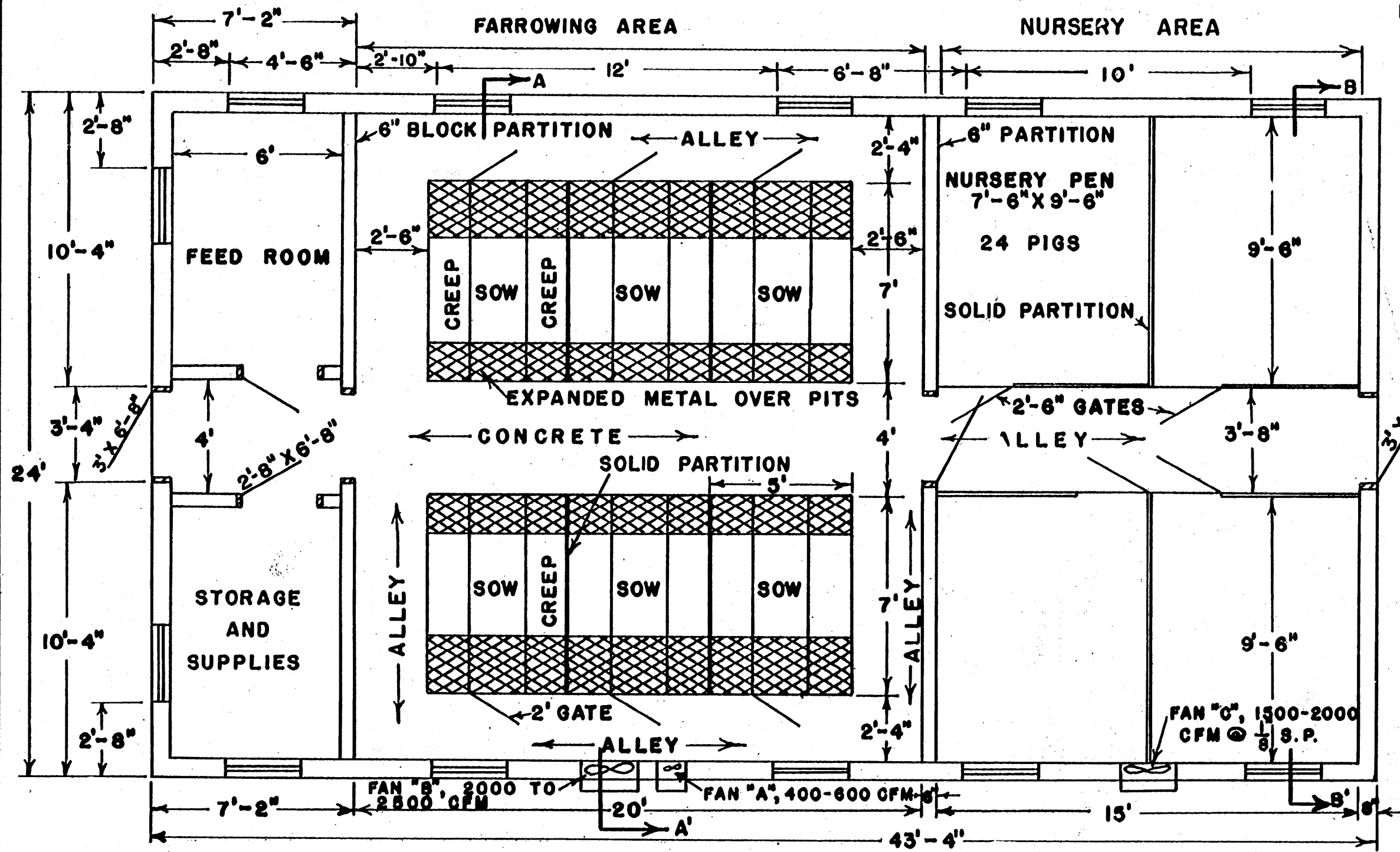


**NOTE:**  
FILL CORES OF BLOCKS  
IN WALLS WITH INSULATION

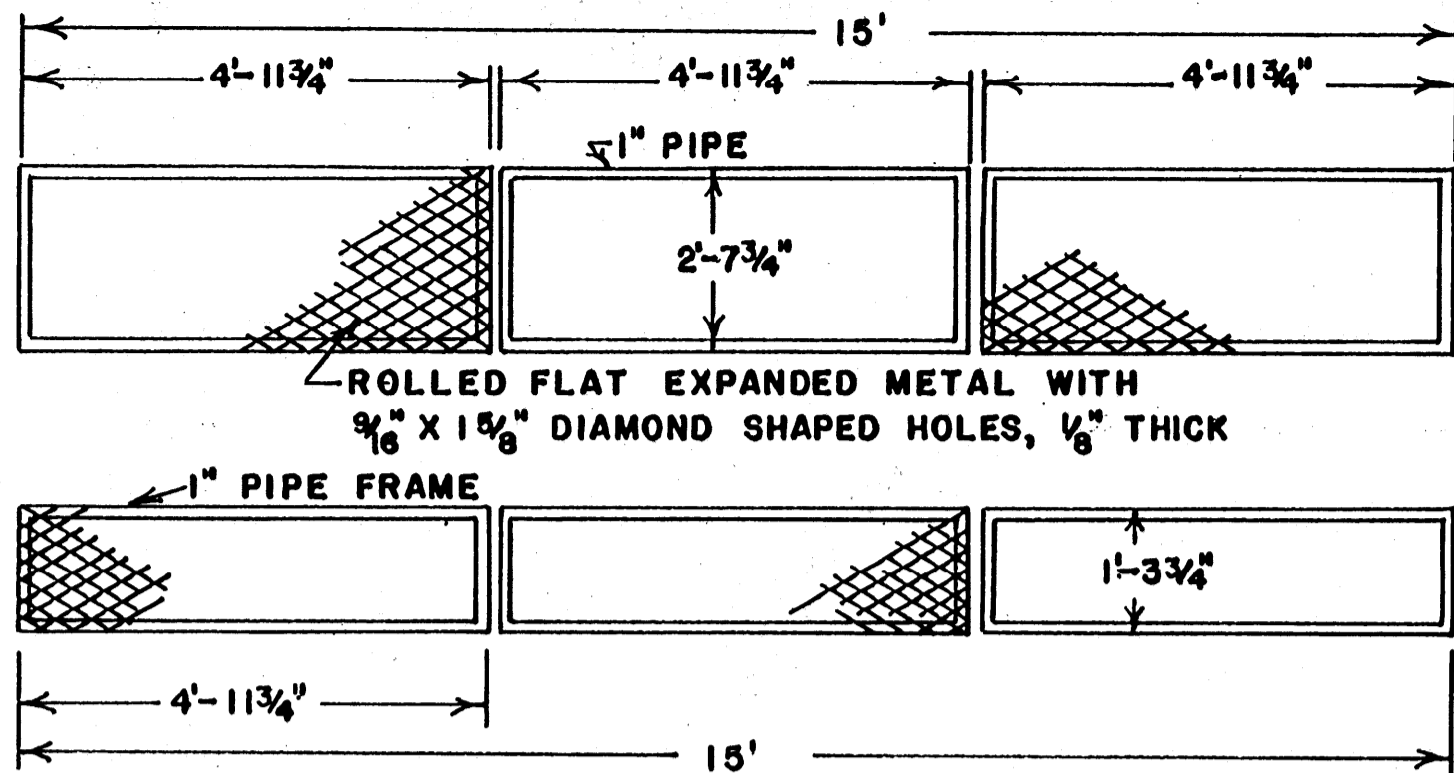
**NOTE:**  
SLOPE FLOOR OF  
PITS 1" IN 20' TO  
DRAINS.



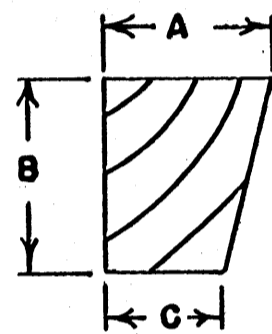
**NOTE:**  
VIRGINIA PLAN G.I.17  
COOPERATIVE EXTENSION WORK IN  
AGRICULTURE AND HOME ECONOMICS  
STATE OF MISSISSIPPI  
MISSISSIPPI STATE UNIVERSITY  
AND  
UNITED STATES DEPARTMENT OF AGRICULTURE COOPERATING

**FARROWING & GROWING BUILDING**

VA. '67	EX. 6032	SHEET 1 OF 3
---------	----------	--------------

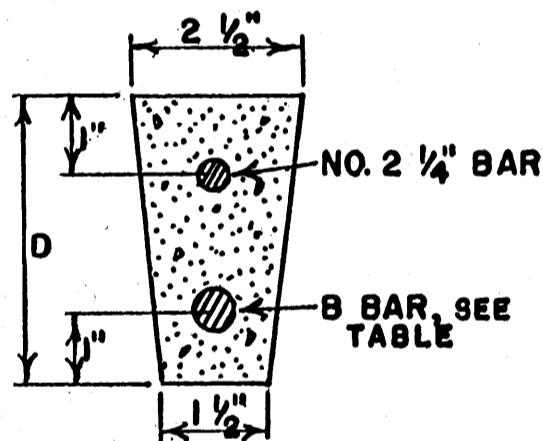


PIT COVERS IN FARROWING AREA  
DETAIL "C"  
SCALE: 1/2" = 1'-0"



SPAN	A	B	C
4'	2"	2 1/2"	1 3/4"
6'	2 1/2"	3"	2"
8'	3"	3 1/2"	2 1/4"
10'	3 1/2"	4"	2 1/2"

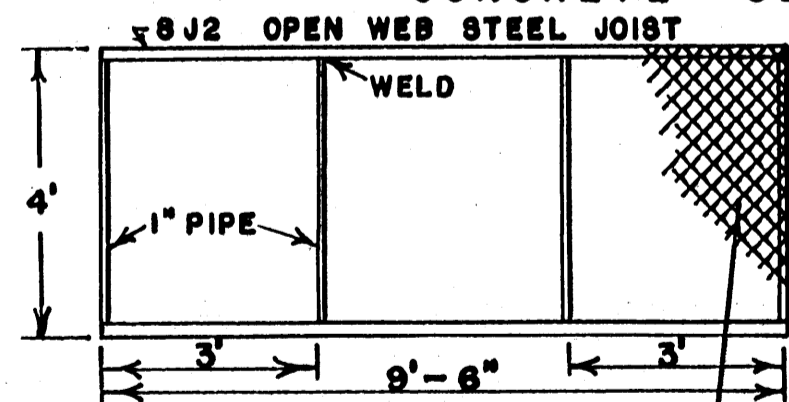
SIZES AND DETAILS OF WOODEN SLATS



CLEAR SPAN	D	B-BAR
4'-0" TO 8'-0"	4"	#3 (3/8")
8'-0" TO 10'-0"	4"	#3 (3/8")
10'-0" TO 12'-0"	5"	#4 (1/2")

CAPACITY: 80 LB. HOGS MAXIMUM.  
CONCRETE COMPRESSIVE STRENGTH:  
4000 PSI.

CONCRETE SLATS

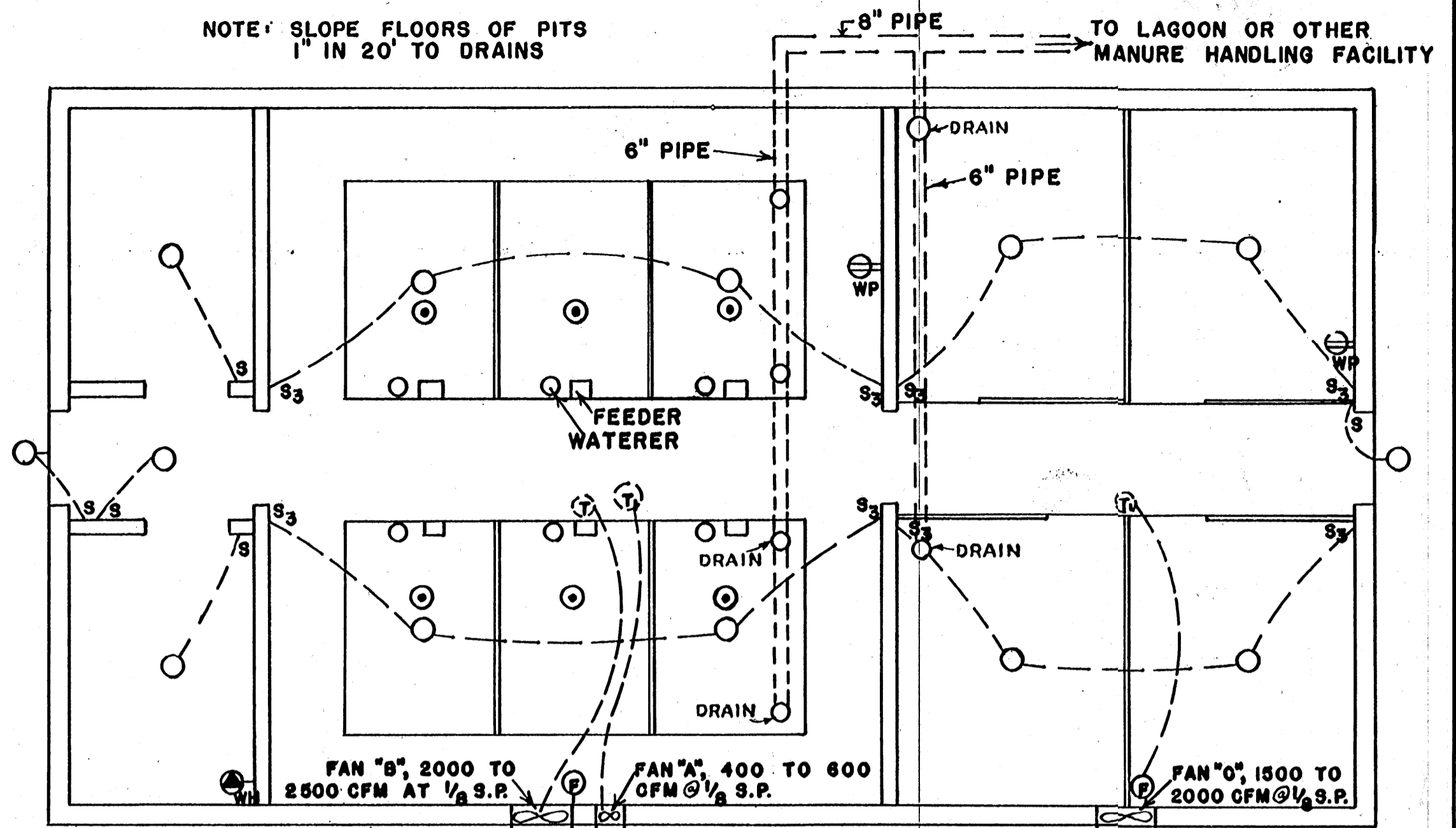


PIT COVERS IN NURSERY  
DETAIL "D"

NOTE:

In addition to the above materials, steel T-bars and U-shapes are used for slats.

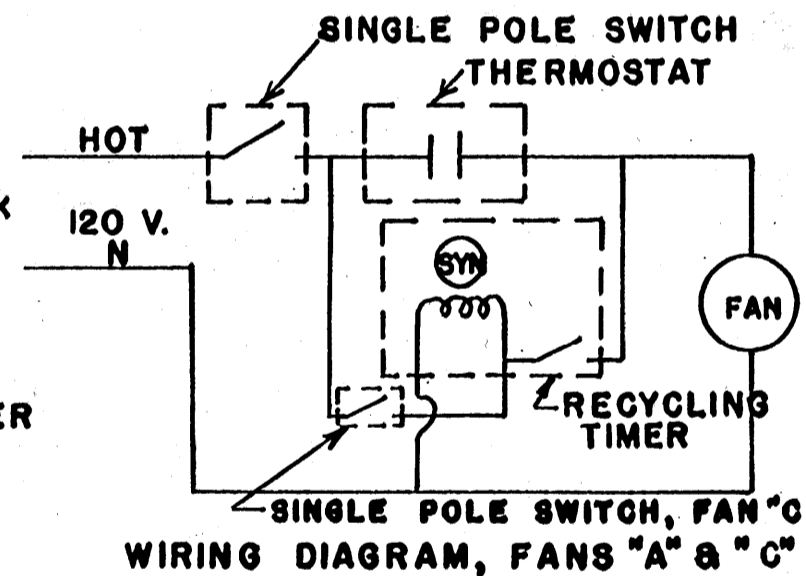
NOTE: SLOPE FLOORS OF PITS  
1" IN 20' TO DRAINS



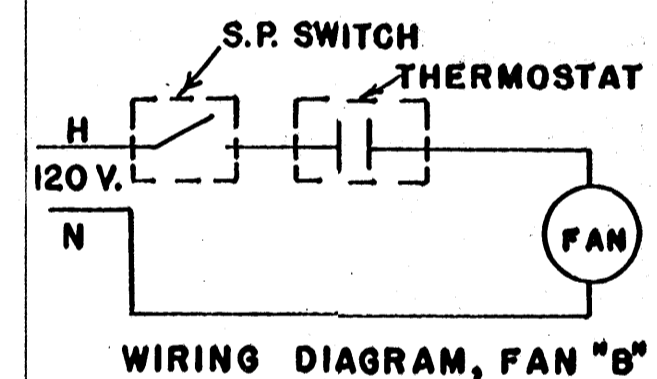
WIRING, PLUMBING, AND EQUIPMENT LAYOUT

LEGEND

- - CEILING LIGHT
- - LIGHT OUTLET UNDER PEAK OF ROOF FOR R-40
- ⊙ - FAN OUTLET
- ⊙ - DUPLEX OUTLET MOUNTED ON CEILING FOR BROODERS- TWIST LOCK
- ⊙ - THERMOSTAT
- ⊙ - DUPLEX OUTLET- WEATHERPROOF
- ⊙ - OUTLET FOR WATER HEATER
- ⊙ - SINGLE POLE SWITCH
- S<sub>3</sub> - 3 WAY SWITCH
- ⊙ - THERMOSTAT & RECYCLING TIMER



WIRING DIAGRAM, FANS "A" & "C"



WIRING DIAGRAM, FAN "B"

NOTES ON VENTILATION

Farrowing Unit:

- Fan "A" is an exhaust fan for winter use only.
- Fan "B" is for summer use primarily but can be used for increased ventilation capacity during warm periods in winter. This fan should be type that can be easily turned around to exhaust in winter and blow-in during summer.
- For winter operation, turn Fan "B" to exhaust position. Set thermostat for this fan at about 60°F. Set thermostat for Fan "A" at about 50°F and adjust recycling timer to operate fan about 2 min. in each 10 min. period. During warm days in fall and spring, large fan will operate to prevent increased temperature in farrowing unit.
- For summer operation, turn off Fan "A" and turn Fan "B" to blow-in. Set thermostat at 80°F. Open windows and panels for maximum natural ventilation. Fan will operate only when temperature in farrowing unit rises above 80°F.
- Provide at least 1.5 sq. ft. free air opening into attic.
- Provide 3/8" wide air inlet, on side opposite fans, extending entire length of farrowing area.

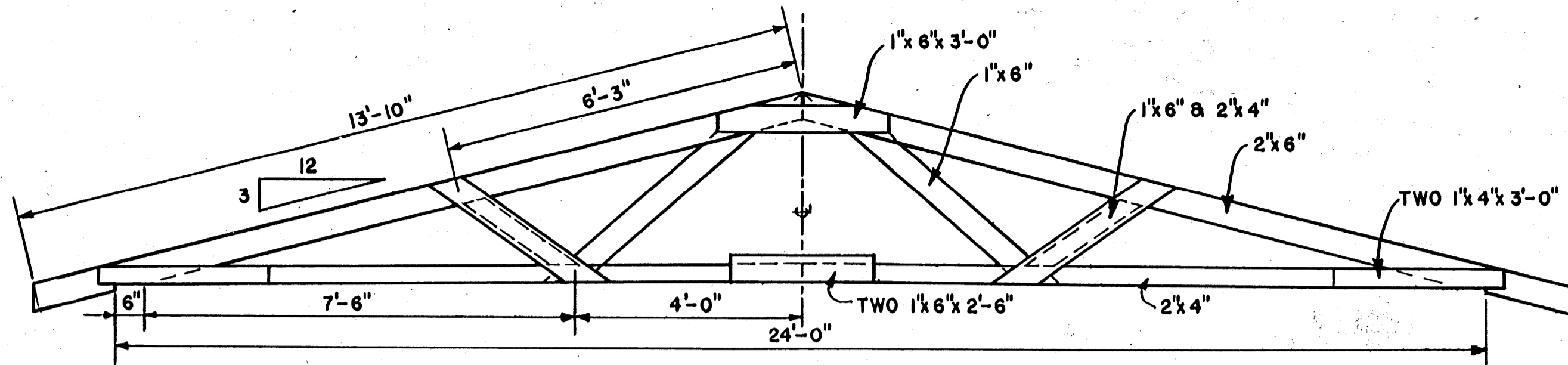
Nursery Unit:

- Fan "C" is for both winter and summer use. It should be a fan that can be easily turned around.
- For winter operation, turn Fan "C" to exhaust position. Set thermostat at about 50°F and adjust recycling timer to operate fan about 1 min. in each 10 min. period. When pigs approach 80 lb. weight, increase setting of recycling timer to about 2 min. in each 10 min. period.
- For summer operation, turn Fan "C" to blow-in position. Set thermostat at 80°F. Open windows and panels for maximum natural ventilation. Fan will operate only when temperature in nursery unit rises above 80°F.
- Provide 4 sq. ft. free air opening into attic.
- Provide 1 1/2" wide inlet, on side opposite fans, extending entire length of nursery area.

COOPERATIVE EXTENSION WORK IN  
AGRICULTURE AND HOME ECONOMICS  
STATE OF MISSISSIPPI  
MISSISSIPPI STATE UNIVERSITY  
AND  
UNITED STATES DEPARTMENT OF AGRICULTURE COOPERATING

FARROWING & GROWING BUILDING

VA. '67 EX. 6032 SHEET 2 OF 3



**TRUSS ASSEMBLY  
FROM BACK**  
SCALE: 1/2" = 1'-0"

THIS TRUSS IS DESIGNED TO SUPPORT  
A TOTAL DEAD AND LIVE LOAD OF 90  
POUNDS PER FOOT OF SPAN

FOR AREAS WHERE THE TOTAL LOAD MAY  
EXCEED 22 1/2 POUNDS PER SQUARE FOOT,  
REDUCE THE DISTANCE BETWEEN TRUSSES

SUITABLE COMMERCIALY FABRICATED  
TRUSSES MAY BE SUBSTITUTED

FIBER STRESS ALLOWED:  
COMPRESSION ----- 1400 PSI  
BENDING ----- 1600 PSI

USE HELICALLY-THREADED  
HARDENED NAILS  
  
DRIVE ALL NAILS FROM FRONT  
EXCEPT THOSE SHOWN AS ".  
  
FOLLOW NAILING PATTERNS  
AS SHOWN FOR EACH JOINT

SIX 8d

THREE 8d NAILS

SEVEN 12d

12d

12d

EIGHTEEN 12d

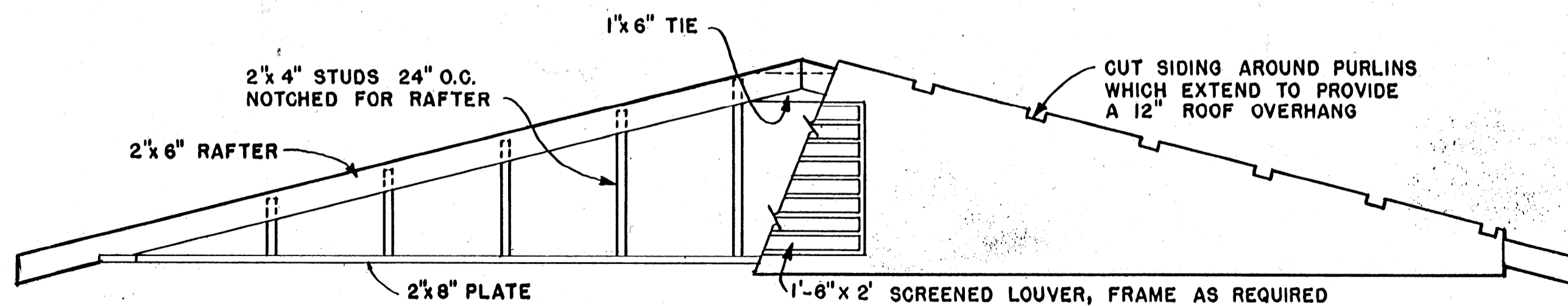
SIXTEEN 12d

EIGHTEEN 12d NAILS

SEVEN 12d NAILS

3/4" CAMBER

**TRUSS JOINT DETAILS  
FROM FRONT**  
SCALE: 1/2" = 1'-0"



**GABLE END**  
SCALE: 1/2" = 1'-0"

COOPERATIVE EXTENSION WORK IN  
AGRICULTURE AND HOME ECONOMICS  
STATE OF MISSISSIPPI  
MISSISSIPPI STATE UNIVERSITY  
AND  
UNITED STATES DEPARTMENT OF AGRICULTURE COOPERATING

FARROWING & GROWING BUILDING

VA. '67

EX. 6032

SHEET 3 OF 3