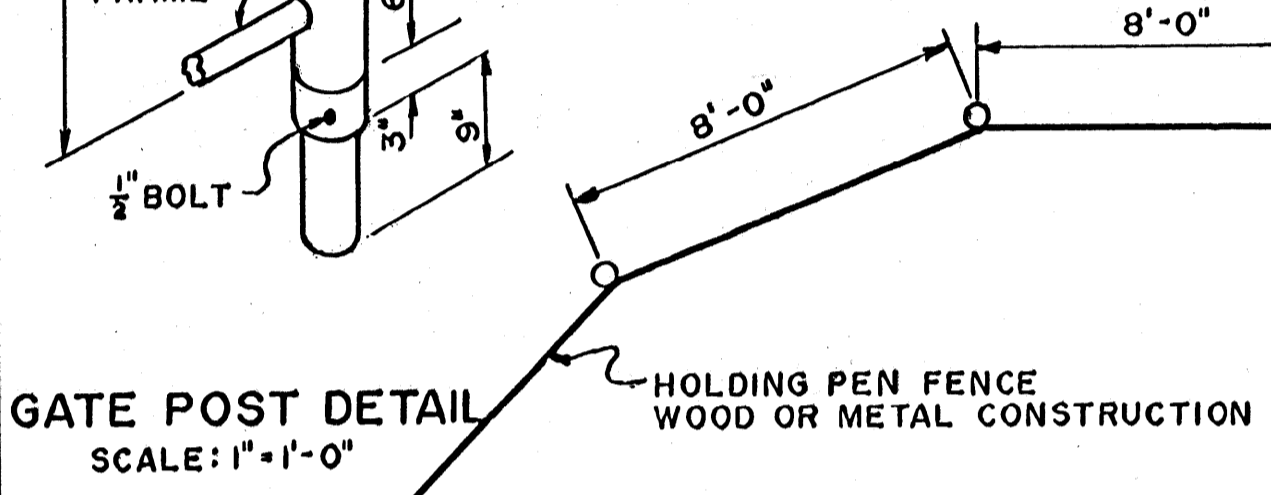
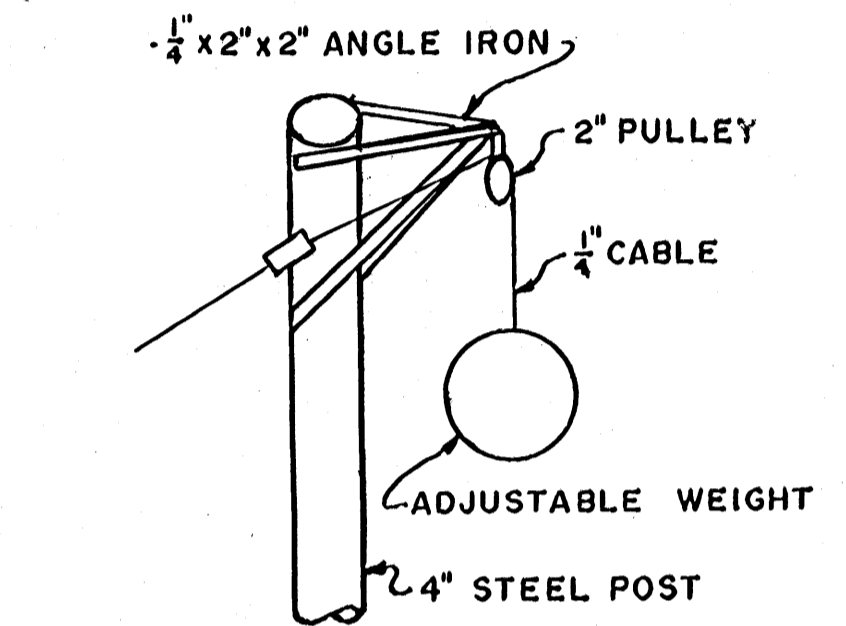


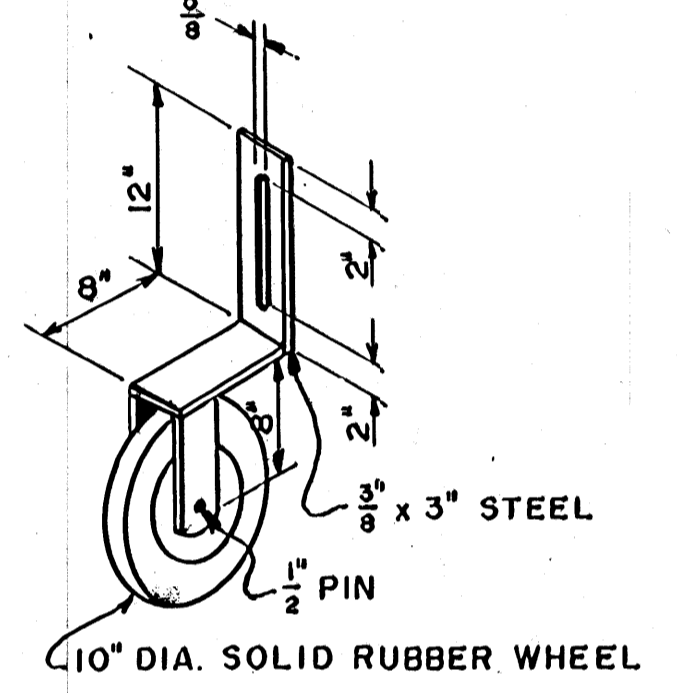
CROWDING GATE & POST
SCALE: $\frac{3}{8}'' = 1'-0''$



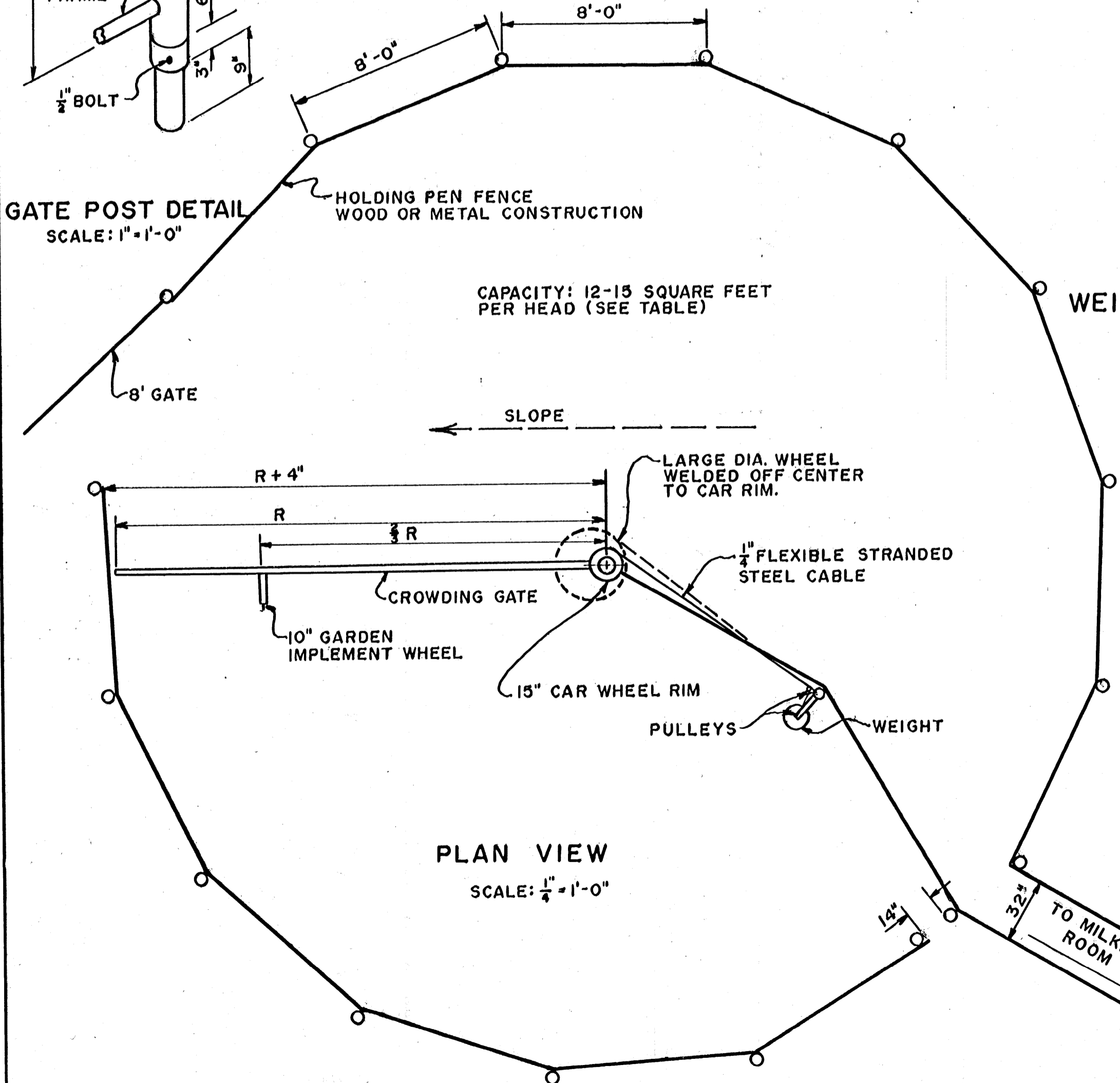
GATE POST DETAIL
SCALE: $1'' = 1'-0''$



WEIGHT SUPPORT DETAIL
SCALE: $1'' = 1'-0''$



WHEEL SUPPORT DETAIL
SCALE: $1'' = 1'-0''$



PLAN VIEW
SCALE: $\frac{1}{4}'' = 1'-0''$

NOTES FOR BUILDING PEN ON A SLOPE

1. THE DOTTED OFF-CENTER WHEEL AND ARROW ARE FOR USE ONLY WHEN THE PEN MUST BE SLOPED TO FIT THE CONTOUR OF THE BUILDING SITE.
2. THE LARGE DIA. WHEEL, WELDED OFF-CENTER, GIVES THE GREATER CLOSING POWER NECESSARY ON A SLOPE
3. DISCARDED IMPLEMENT WHEELS HAVE BEEN USED SUCCESSFULLY FOR THE OFF-CENTER WHEEL.
4. THE WEIGHT NECESSARY TO CLOSE THE GATE WILL VARY WITH THE SLOPE OF THE PEN.
5. THIS ARRANGEMENT HAS BEEN USED SUCCESSFULLY WITH SLOPES OF 10%.
6. IN THE EVENT THE SLOPE IS TOWARD THE BARN INSTEAD OF AWAY FROM THE BARN AS SHOWN, REVERSE THE CENTERED POSITION OF THE OFF-CENTER WHEEL.

**COW CAPACITY AT VARIOUS RADII
12-15' SQ. FT. PER COW**

R	AREA	COWS
15'	707 SQ. FT.	45-60
17'	910 SQ. FT.	50-75
20'	1200 SQ. FT.	80-100

V.P.I. PLAN B-5.54
 COOPERATIVE EXTENSION WORK IN
 AGRICULTURE AND HOME ECONOMICS
 STATE OF MISSISSIPPI
 MISSISSIPPI STATE UNIVERSITY
 AND
 UNITED STATES DEPARTMENT OF AGRICULTURE COOPERATING

AUTOMATIC CROWDING GATE

VA. '67	EX. 6037	SHEET 1 OF 1
---------	----------	--------------