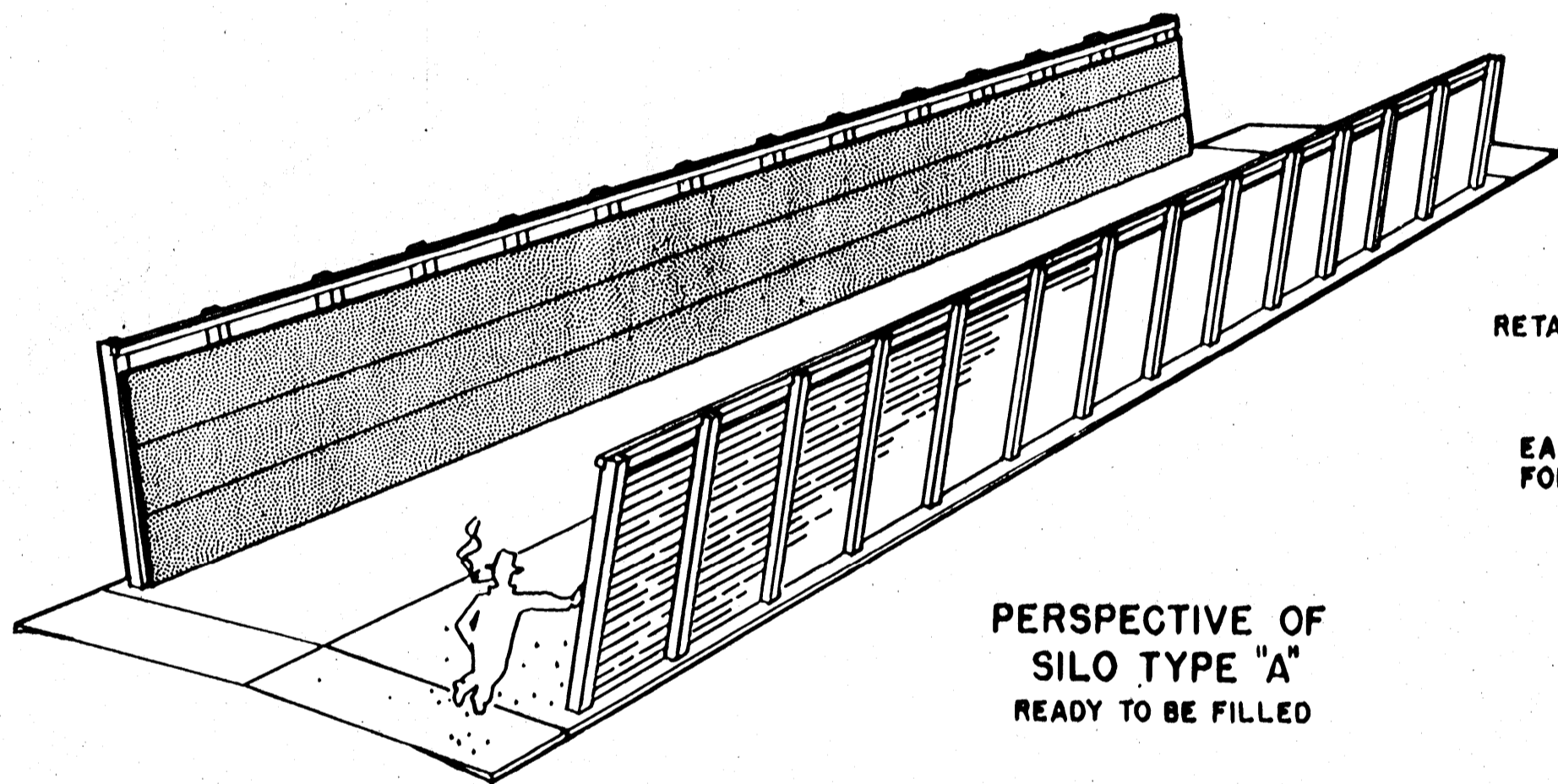
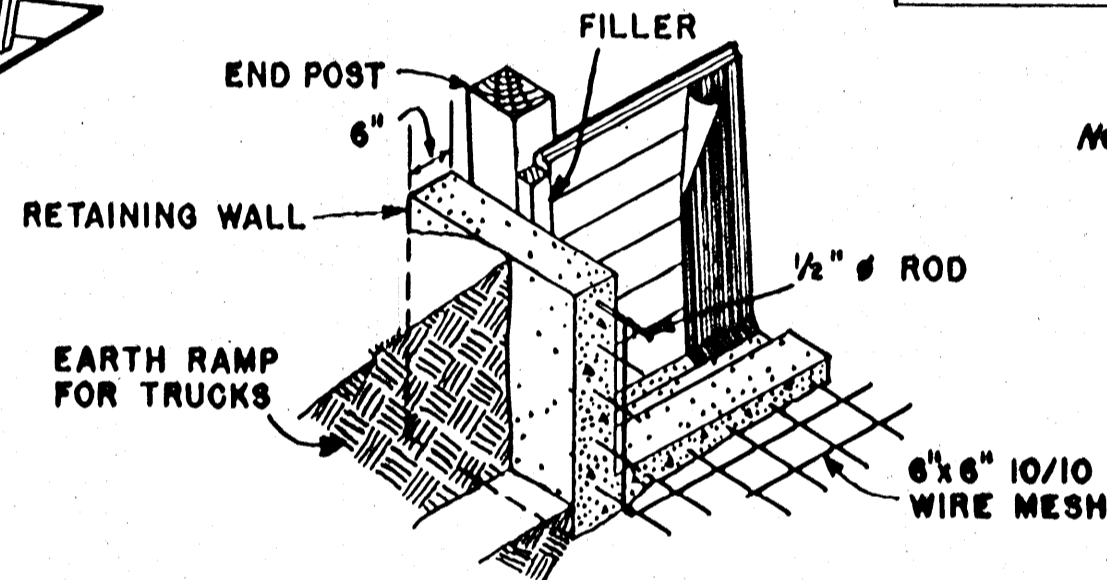


LONGITUDINAL SECTION
TYPE "A" SILO
SCALE: 1/8"=1'-0"



PERSPECTIVE OF
SILO TYPE "A"
READY TO BE FILLED

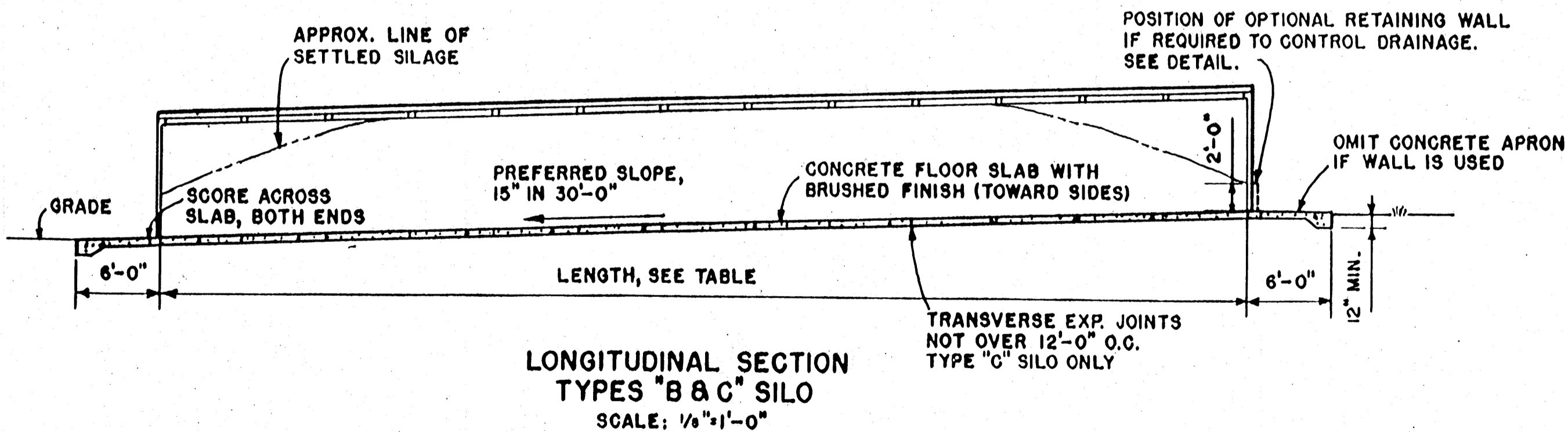


DETAIL OF OPTIONAL RETAINING WALL
TYPE "A" SILO
SCALE: 1/2"=1'-0"

NOTE: ALL CONCRETE TO BE 1:2 1/2:3 1/2 MIX, WITH NOT MORE THAN 6 GALLONS OF WATER PER BAG OF CEMENT.

ALL WOOD SHOULD BE PRESSURE-TREATED WITH PRESERVATIVE (AFTER CUTTING) TO 8 LBS. PER CUBIC FOOT RETENTION.

STAGGER END JOINTS OF PLANKS IN EACH ROW SO JOINTS FALL ON ALTERNATE POSTS.

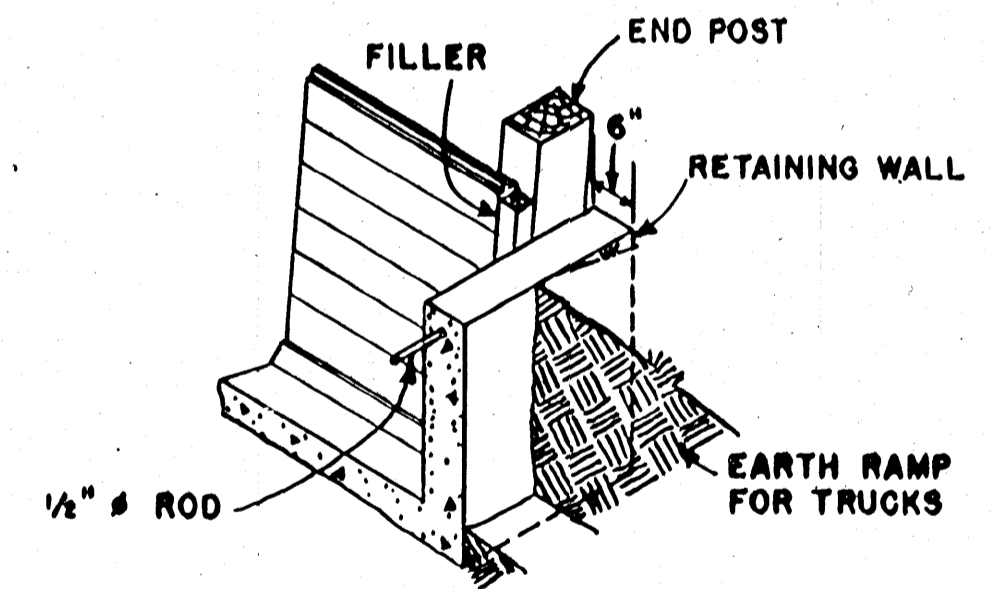


LONGITUDINAL SECTION
TYPES "B & C" SILO
SCALE: 1/8"=1'-0"

POSITION OF OPTIONAL RETAINING WALL
IF REQUIRED TO CONTROL DRAINAGE.
SEE DETAIL.

OMIT CONCRETE APRON
IF WALL IS USED

TRANSVERSE EXP. JOINTS
NOT OVER 12'-0" O.C.
TYPE "C" SILO ONLY



DETAIL OF OPTIONAL RETAINING WALL
TYPES "B & C" SILO
SCALE: 1/2"=1'-0"

TYPES A, B, & C SILO					
APPROXIMATE CAPACITIES					
FEEDING PERIOD →		120 DAYS	175 DAYS	210 DAYS	CAPACITY FOR EACH 6 FT. OF LENGTH
HERD SIZE	WIDTH OF SILO	60 FT.	78 FT.	90 FT.	
30 HEAD	16 FT.	114 TONS	163 TONS	196 TONS	16 TONS
37 "	20 "	141 "	202 "	242 "	20 "
44 "	24 "	168 "	240 "	288 "	24 "
51 "	28 "	195 "	278 "	334 "	28 "
58 "	32 "	222 "	317 "	380 "	32 "

CAPACITY IS BASED ON SILAGE WEIGHT OF 40 LBS. PER CUBIC FOOT AND SETTLED DEPTH OF 8 FEET, EXCEPT AT ENDS.

WIDTH OF SILO IS BASED ON HERD SIZE AND ON AN AVERAGE CONSUMPTION OF 60 LBS. OF SILAGE PER ANIMAL PER DAY.

LENGTH OF SILO IS BASED ON 4" DAILY RATE OF USE FOR WARM WEATHER CONDITIONS. LENGTH MAY BE VARIED IN UNITS OF 6 FEET.

FOR SELF-FEEDING, WITH FREE ACCESS, A SILO WIDTH OF 3" TO 6" PER HEAD IS REQUIRED.

DETAILS OF MOVABLE FENCES FOR SELF-FEEDING ARE SHOWN ON PLAN NO. 5872

CAUTION:

SOME PRESSURE TREATED POSTS & LUMBER USE PRESERVATIVES THAT EPA DOES NOT ALLOW IN CONTACT WITH FEED. IN SUCH CASES, PLYWOOD OR PLASTIC SHOULD BE USED AS A LINER. CHECK SUPPLIER OR LABELS FOR GUIDANCE.

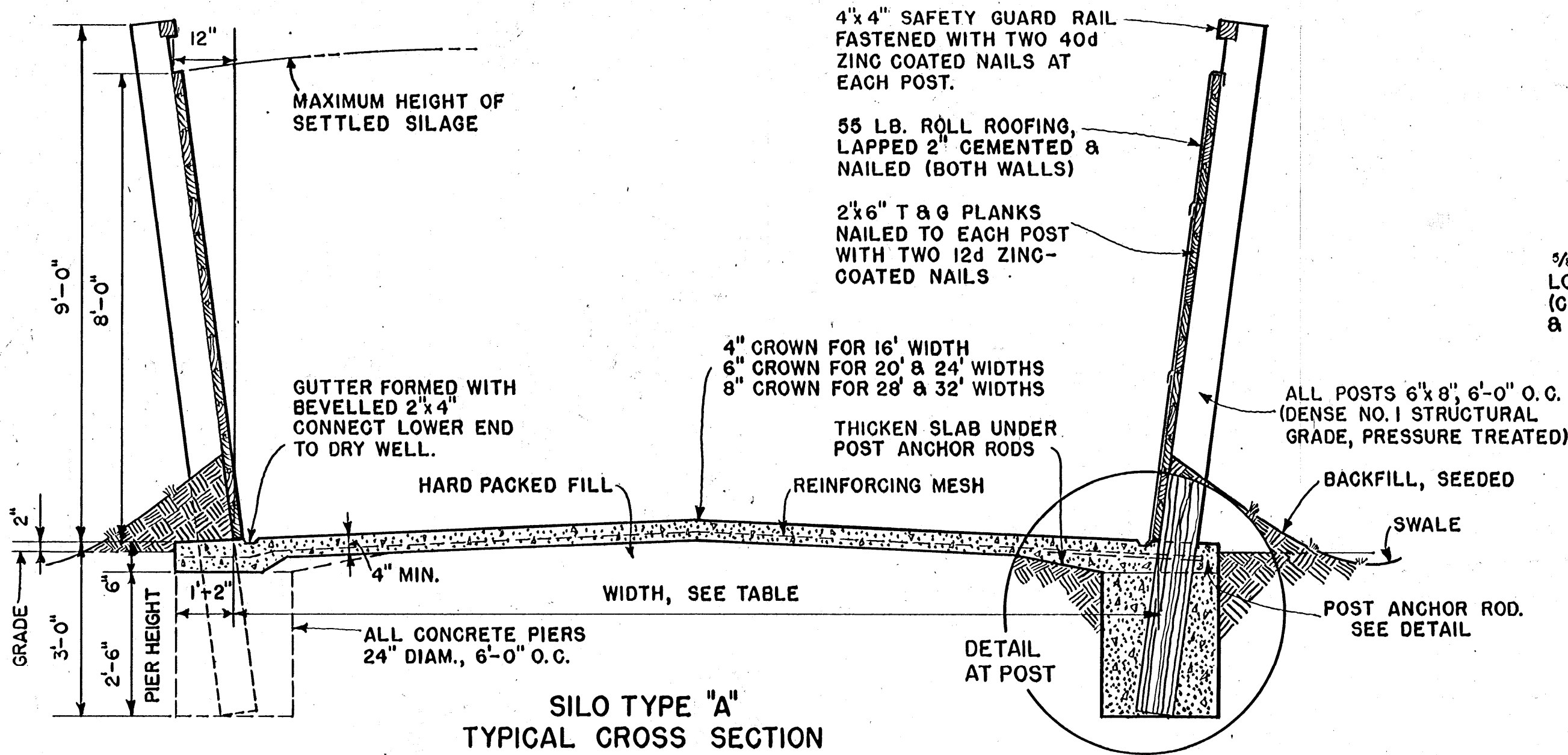
COOPERATIVE EXTENSION SERVICE
AGRICULTURE AND HOME ECONOMICS

AND
UNITED STATES DEPARTMENT OF AGRICULTURE COOPERATING

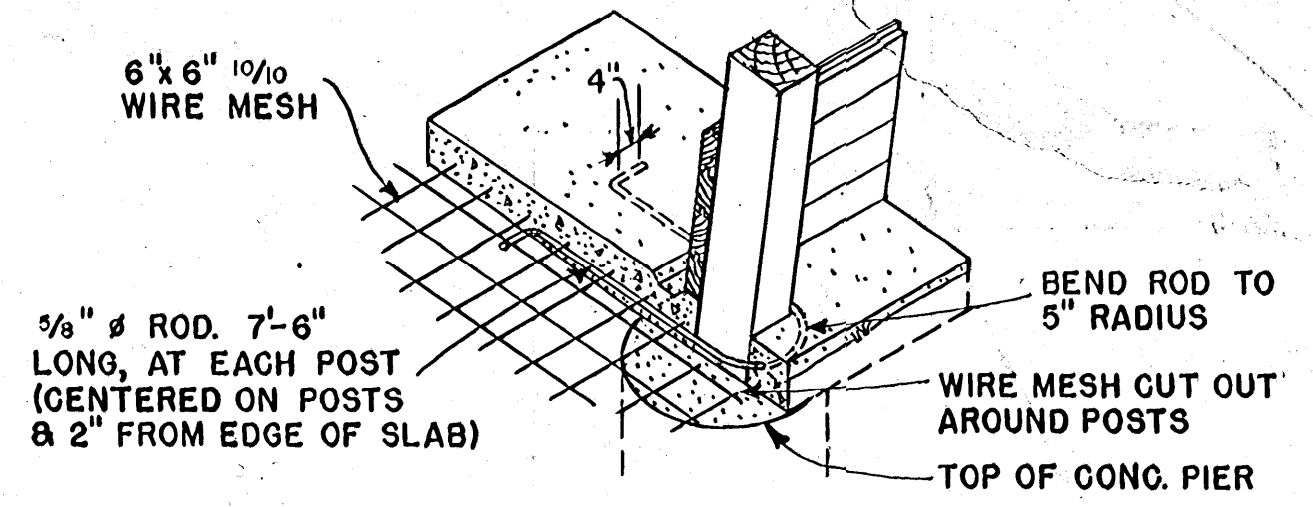
SILO TYPES A, B, & C

USDA '68 EX. 6048 SHEET 1 OF 2

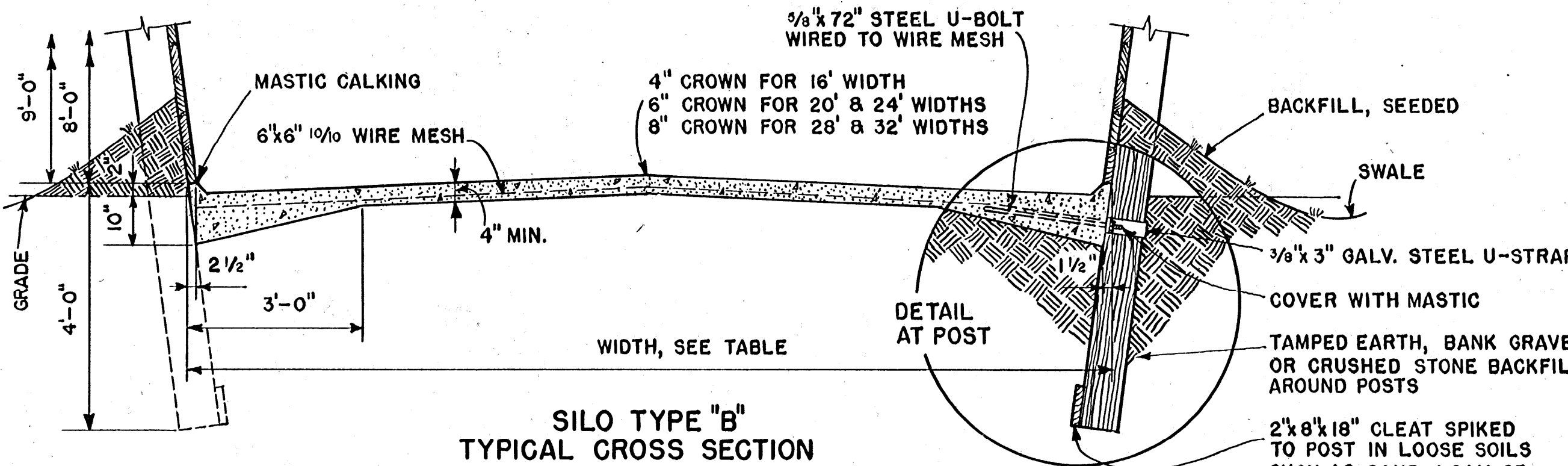
REVISED '88



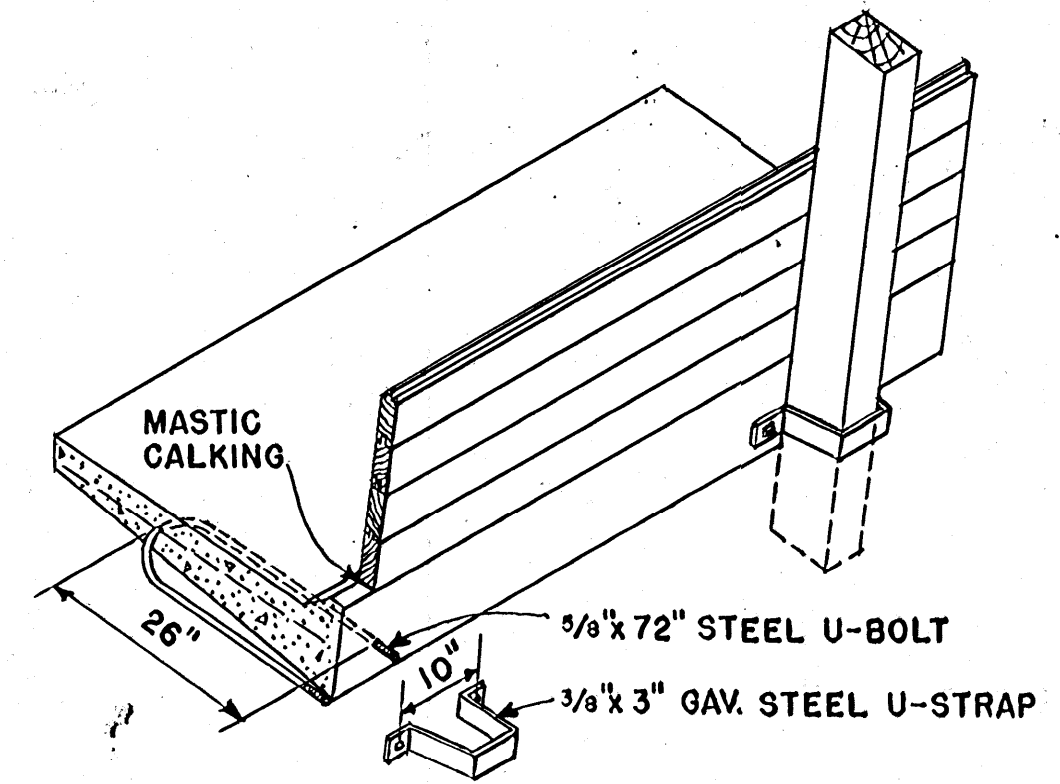
SILO TYPE "A"
TYPICAL CROSS SECTION



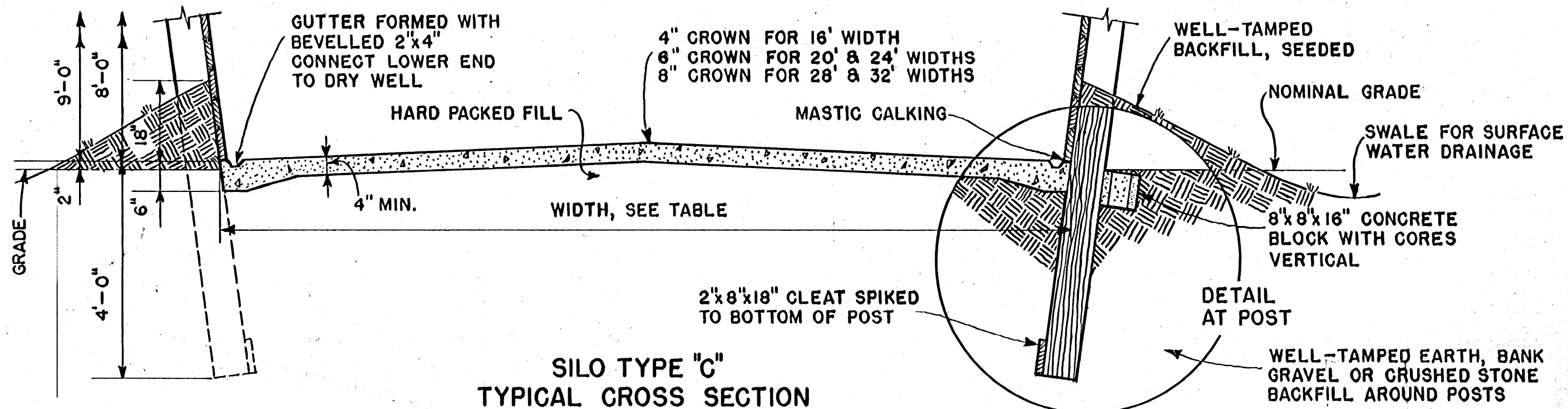
DETAIL OF POST ANCHORAGE
SILO TYPE "A"



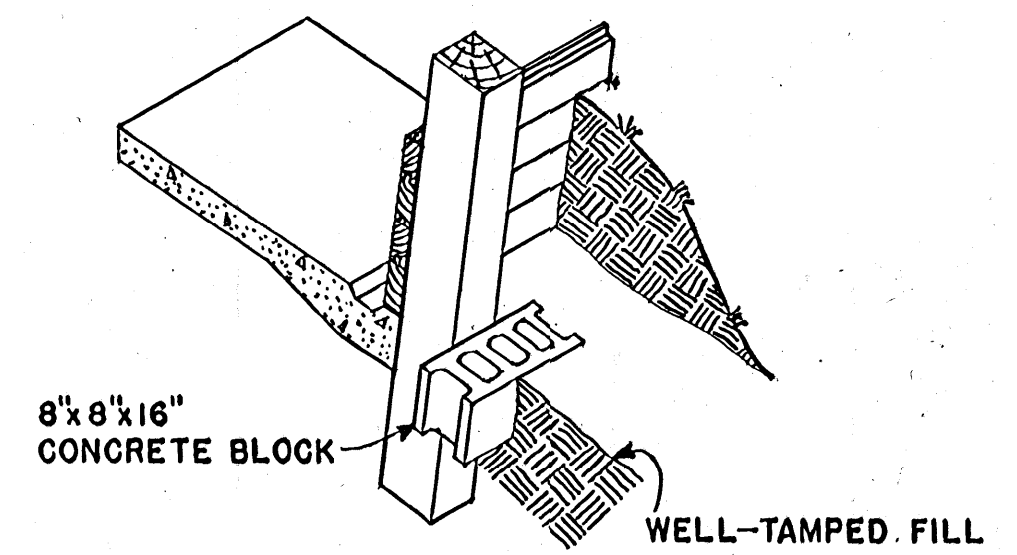
SILO TYPE "B"
TYPICAL CROSS SECTION



DETAIL OF POST ANCHORAGE
SILO TYPE "B"



SILO TYPE "C"
TYPICAL CROSS SECTION



POST DETAIL
SILO TYPE "C"

NOTE: SCALE: 1/2"=1'-0" THRU-OUT UNLESS OTHERWISE NOTED.

COOPERATIVE EXTENSION WORK IN
AGRICULTURE AND HOME ECONOMICS
STATE OF MISSISSIPPI
MISSISSIPPI STATE UNIVERSITY
AND
UNITED STATES DEPARTMENT OF AGRICULTURE COOPERATING

SILO TYPES A,B,&C.

USDA 68 EX. 6048 SHEET 2 OF 2