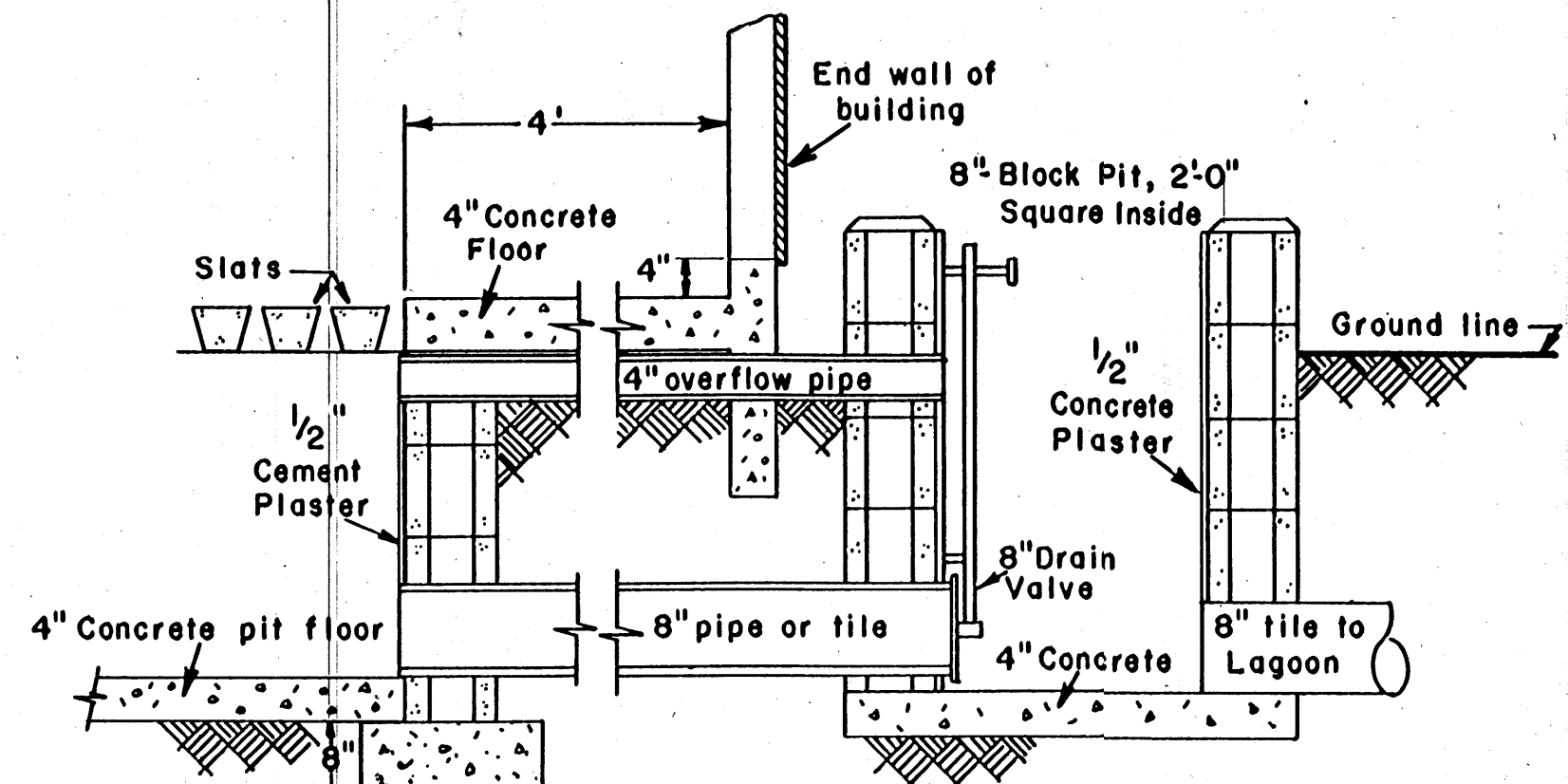
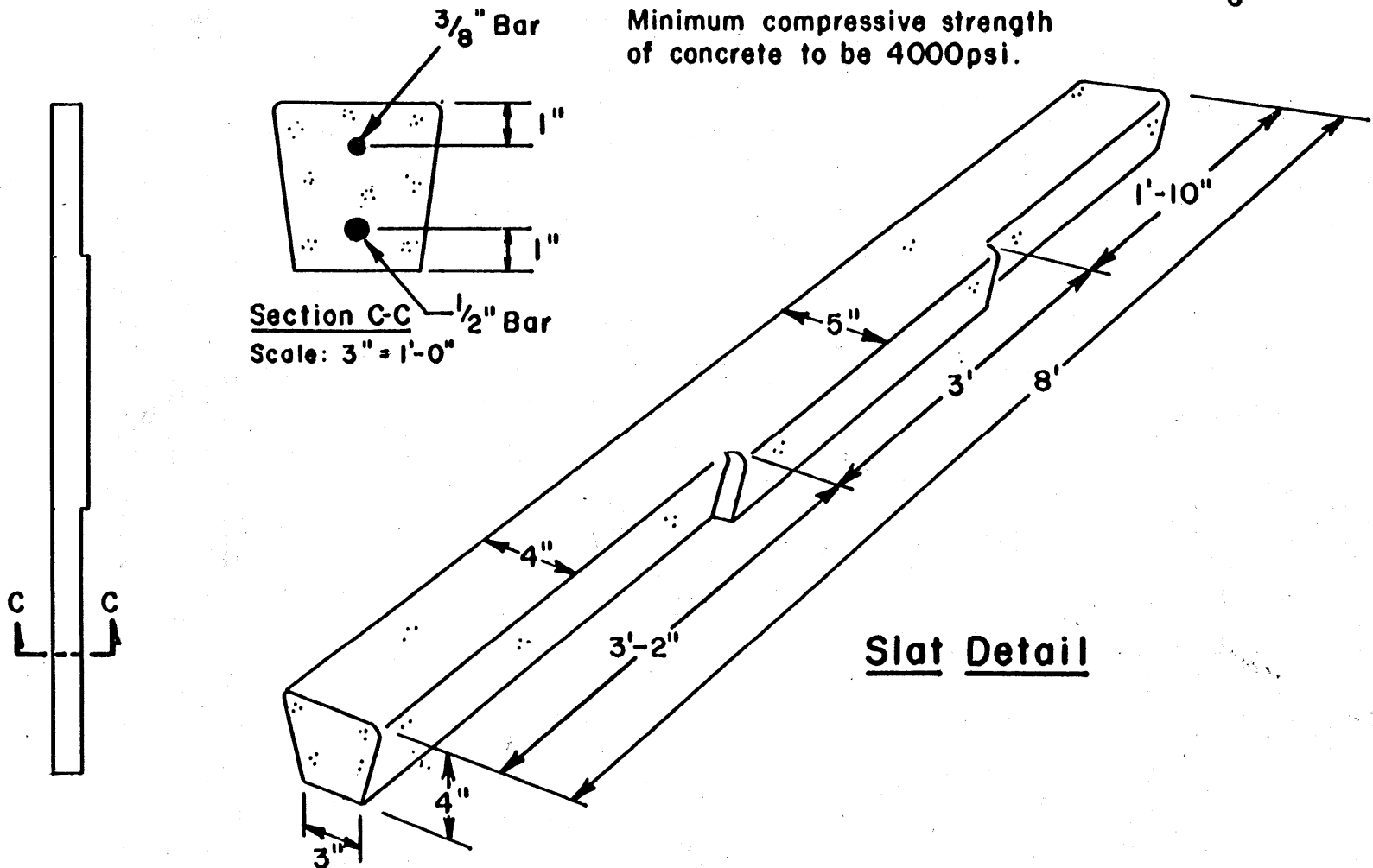


Floor Plan

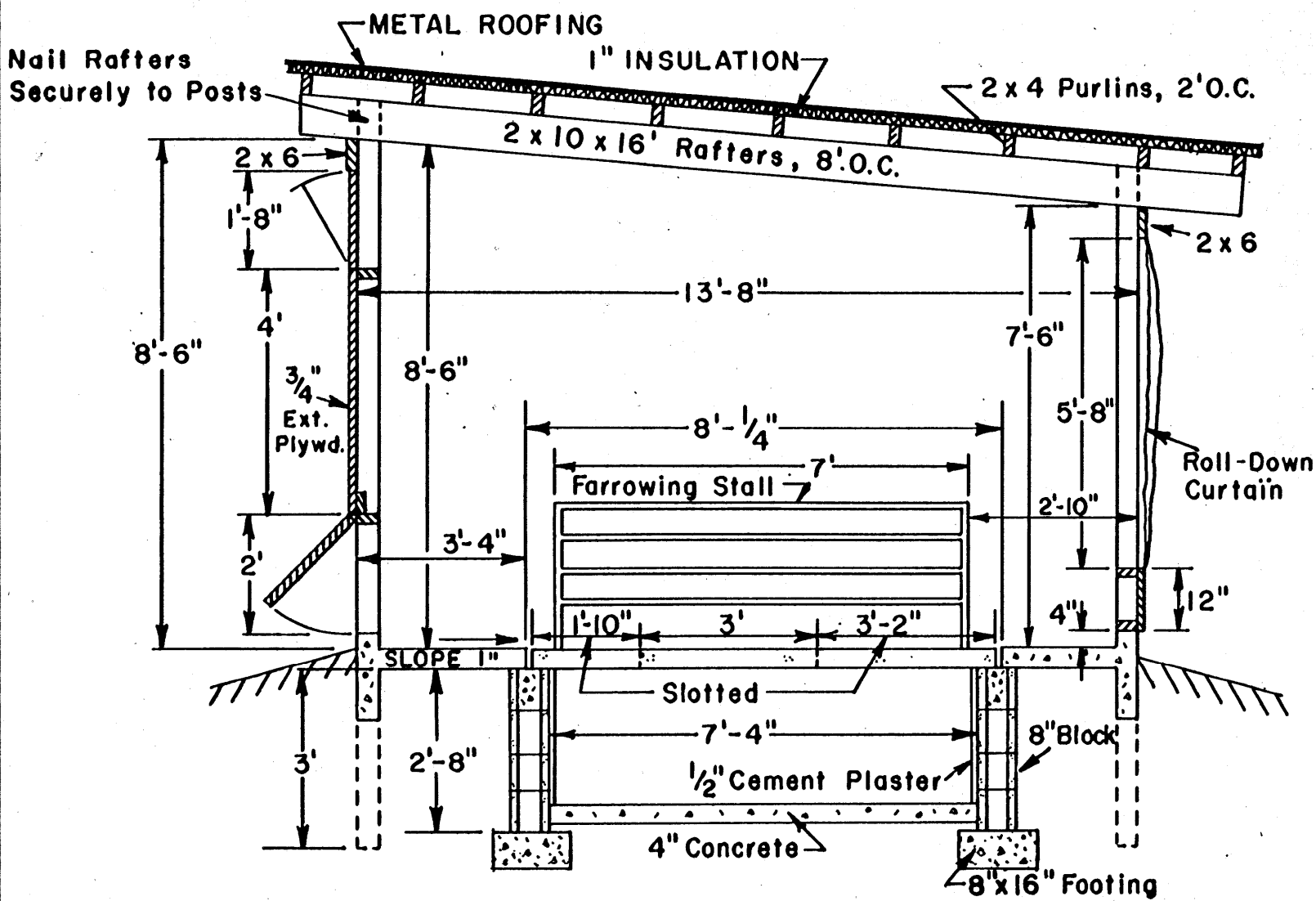
SCALE: 1/8" = 1'-0"

NOTE:
Minimum compressive strength of concrete to be 4000psi.



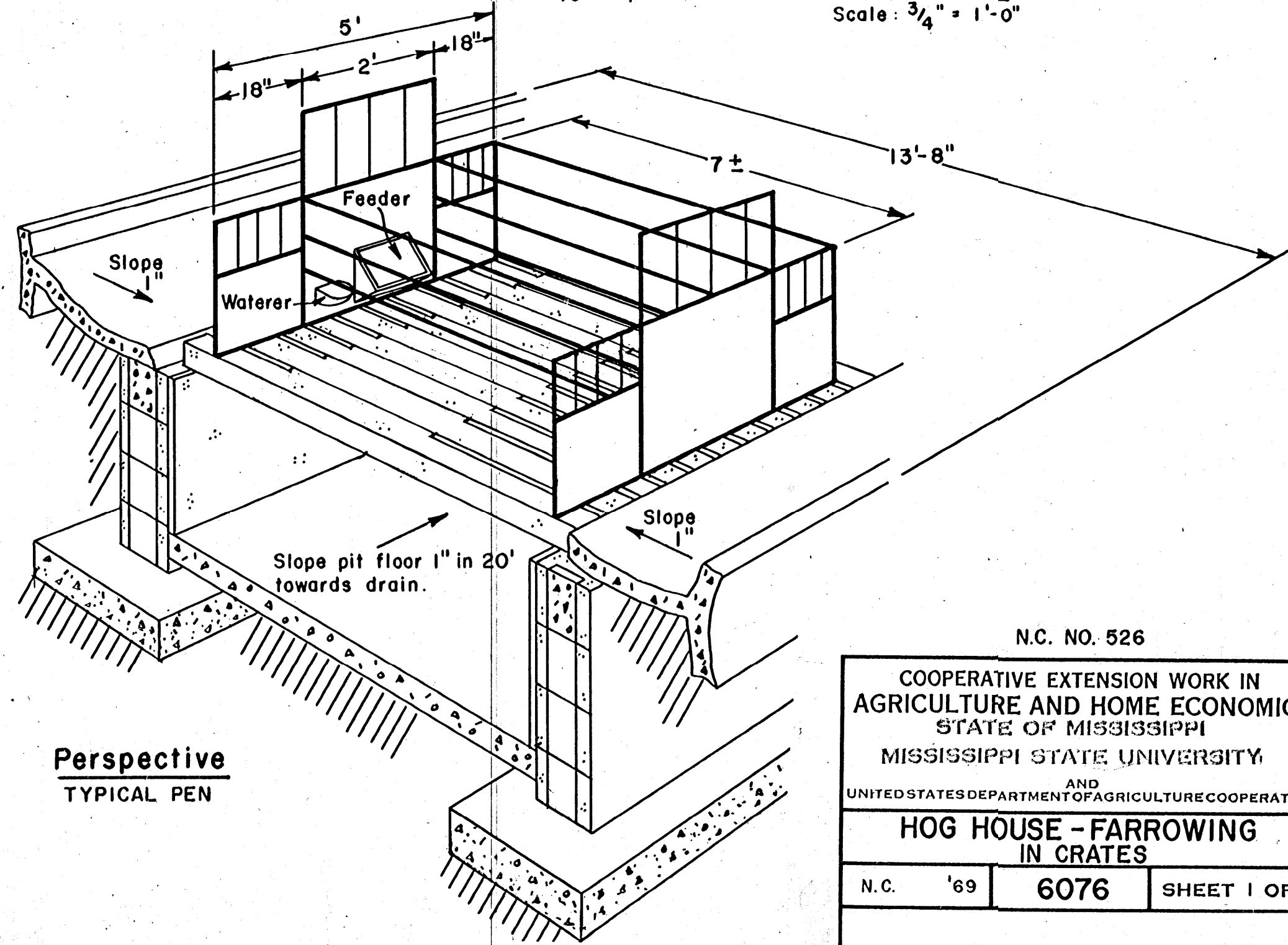
Section B-B

Scale: 3/4" = 1'-0"



Section A-A

SCALE: 3/8" = 1'-0"



Perspective
TYPICAL PEN

N.C. NO. 526

COOPERATIVE EXTENSION WORK IN AGRICULTURE AND HOME ECONOMICS
STATE OF MISSISSIPPI
MISSISSIPPI STATE UNIVERSITY
AND
UNITED STATES DEPARTMENT OF AGRICULTURE COOPERATING

HOG HOUSE - FARROWING IN CRATES

N.C.	'69	6076	SHEET 1 OF 1
------	-----	------	--------------