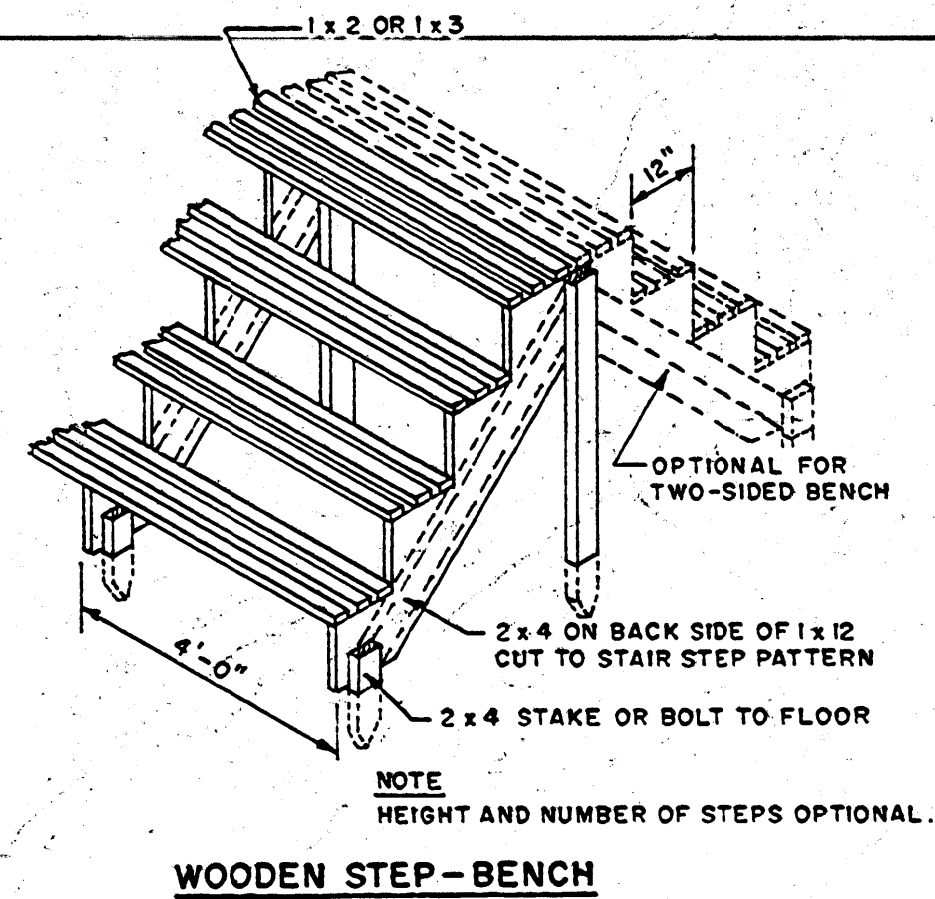
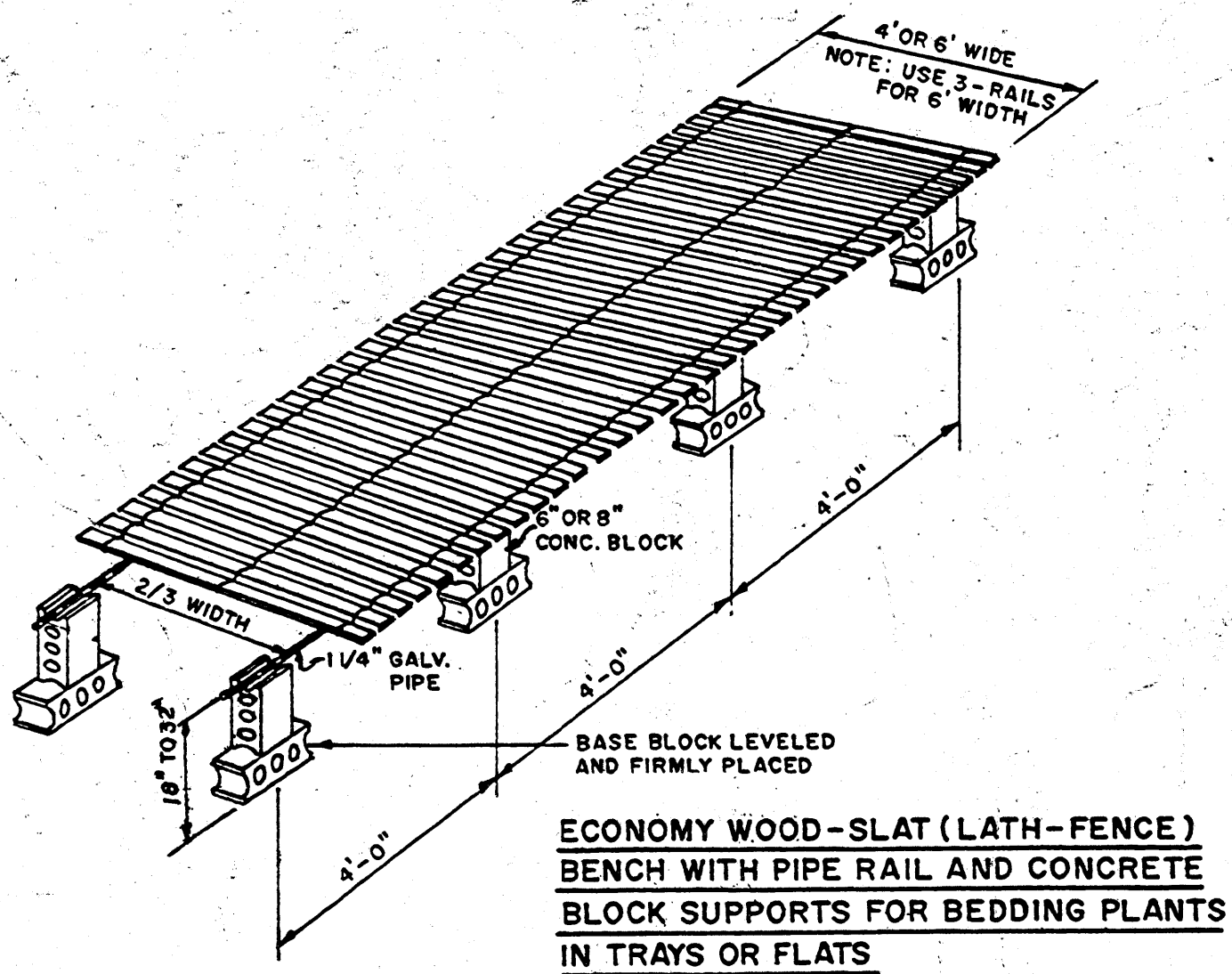
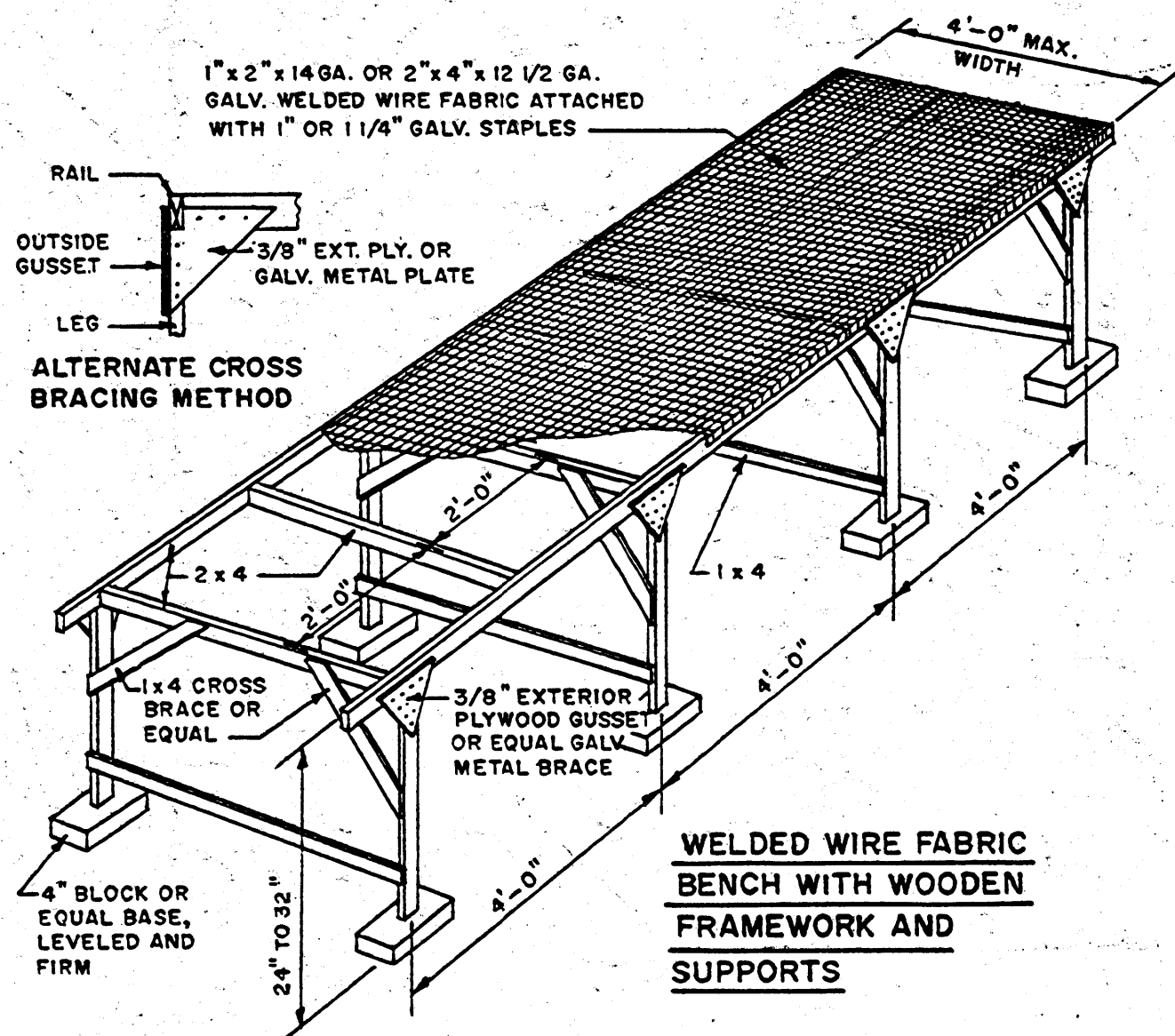


MENTION OF A TRADE NAME DOES NOT CONSTITUTE A GUARANTEE OR WARRANTY OF THE PRODUCT BY THE U.S. DEPARTMENT OF AGRICULTURE OR AN ENDORSEMENT BY THE DEPARTMENT OVER OTHER PRODUCTS NOT MENTIONED.

NOTE: FOR ALL LUMBER, USE DECAY RESISTANT SPECIES LIKE REDWOOD, OR PINE AND FIR, PRESSURE TREATED WITH A WATER-BORNE SALT-TYPE PRESERVATIVE, FOR LONG LIFE. METAL ANGLES HOLDING SIDEBARDS MAY BE ON OUTSIDE SURFACE, IF PREFERRED.



COOPERATIVE EXTENSION WORK IN AGRICULTURE AND HOME ECONOMICS
STATE OF MISSISSIPPI
MISSISSIPPI STATE UNIVERSITY
AND
UNITED STATES DEPARTMENT OF AGRICULTURE COOPERATING

GREENHOUSE BENCHES

KY. '73 EX. 6163 SHEET 1 OF 1

BASED ON: UNIV. OF KENTUCKY
PLAN NO. 11.771-10