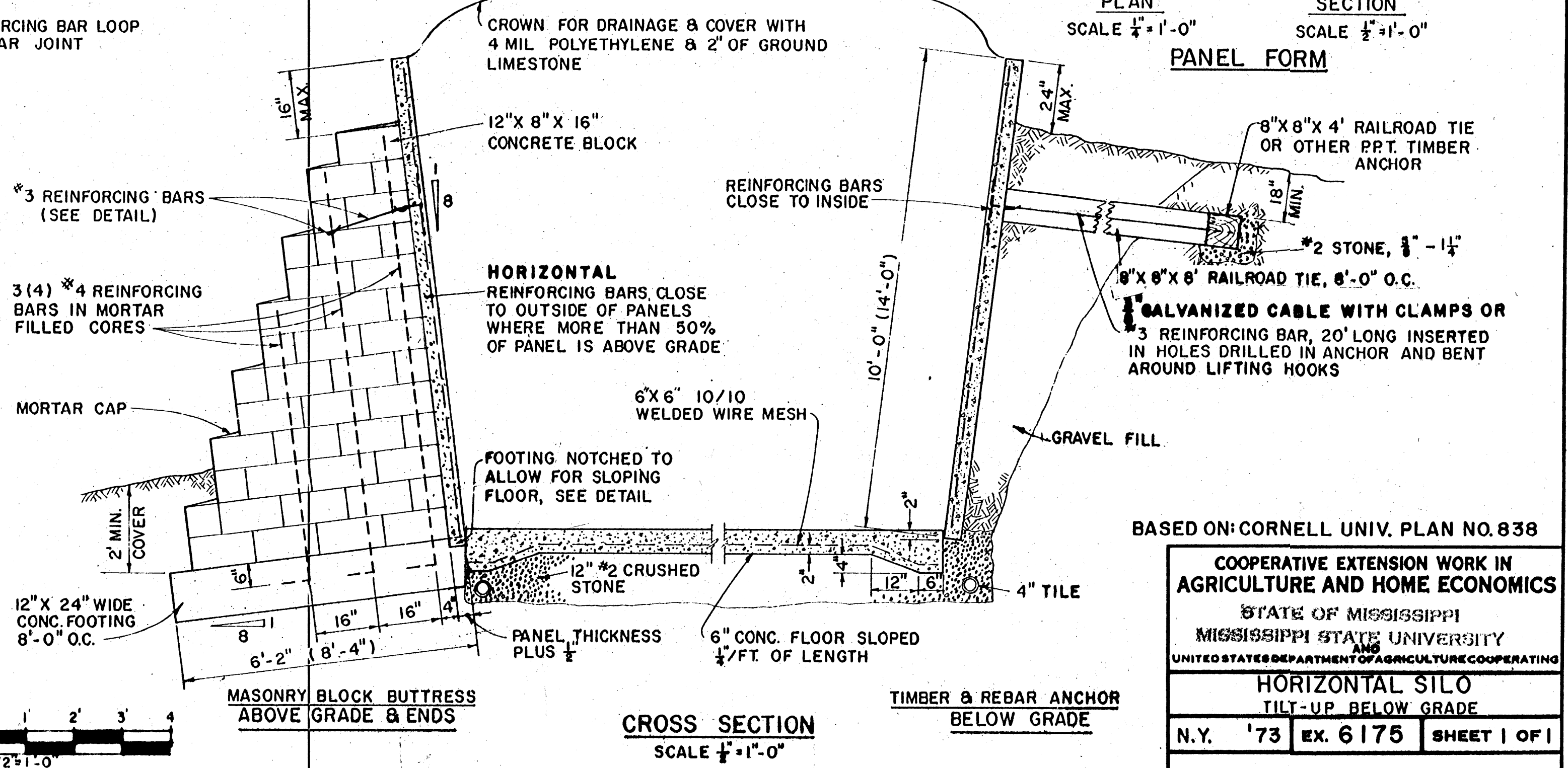
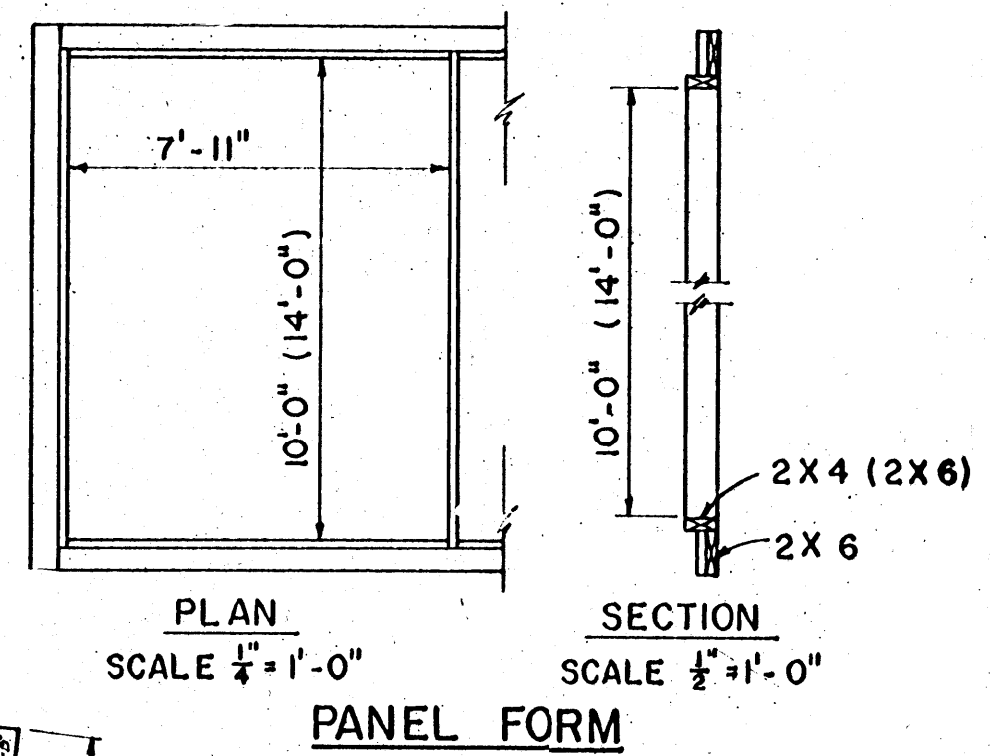
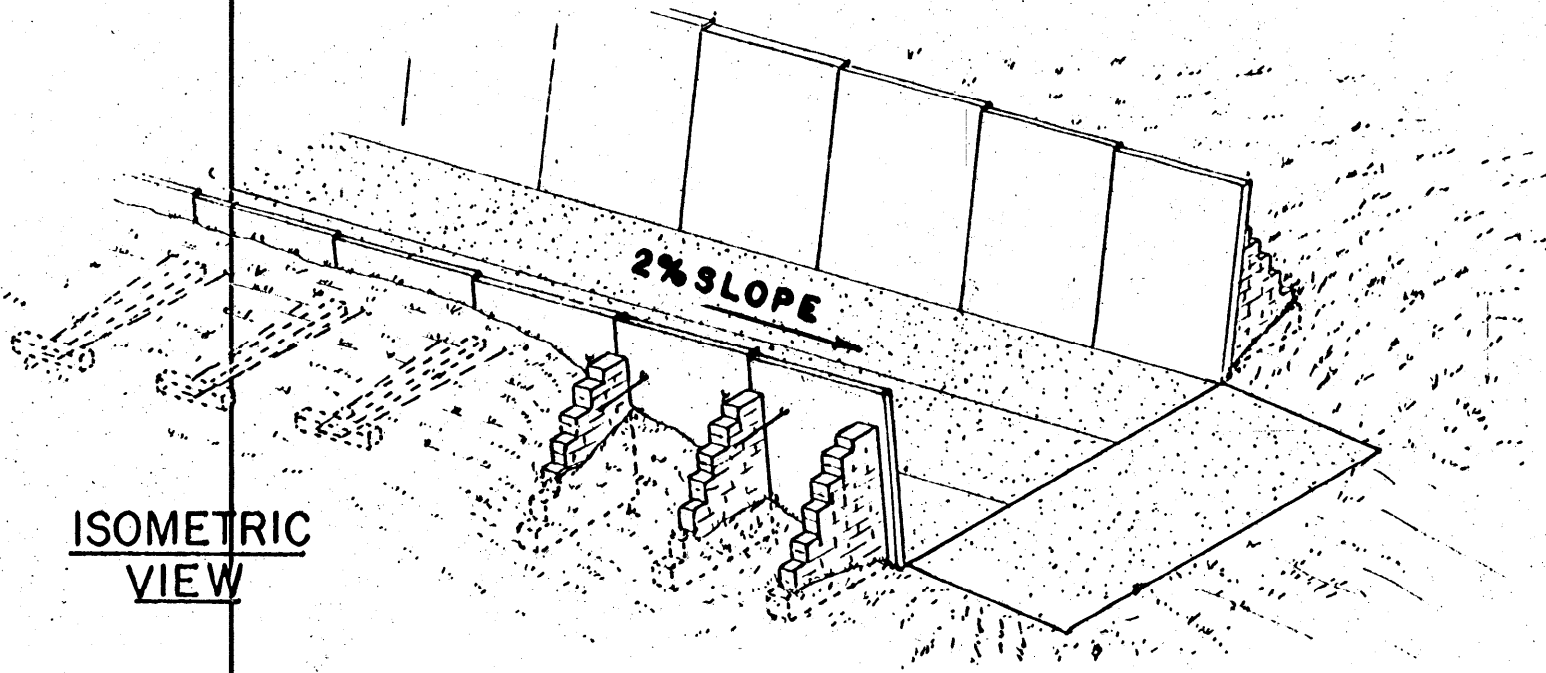
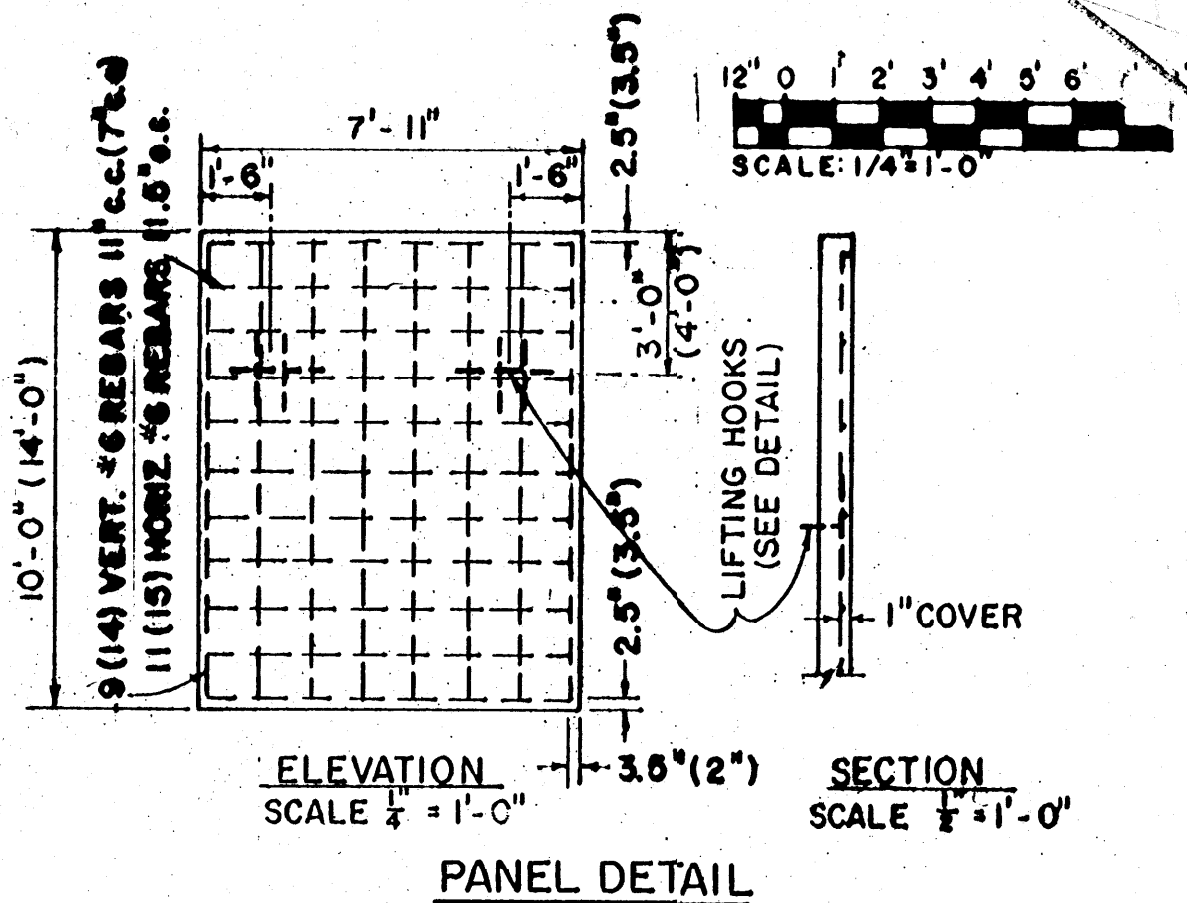
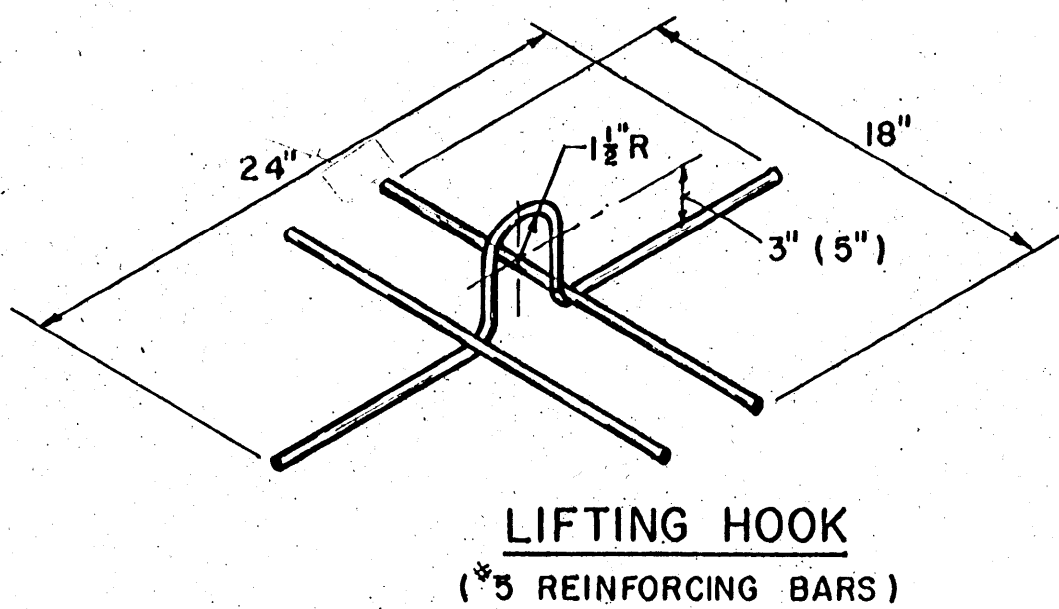
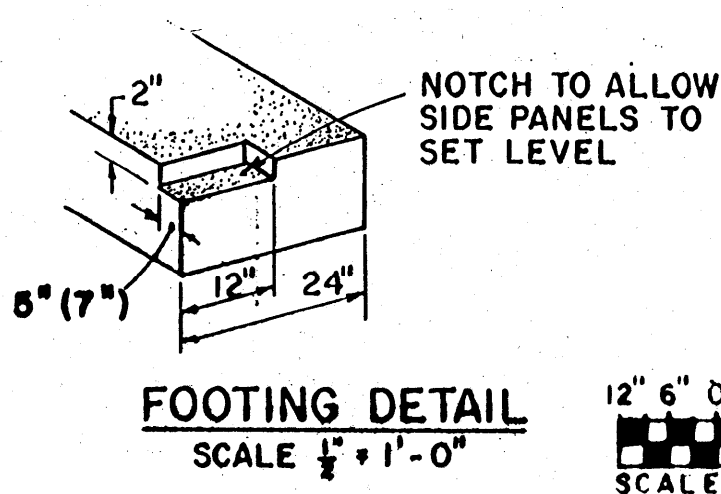
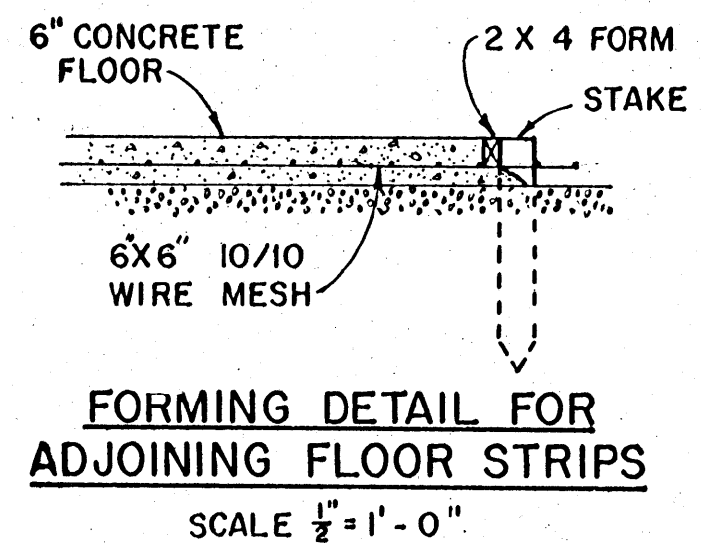
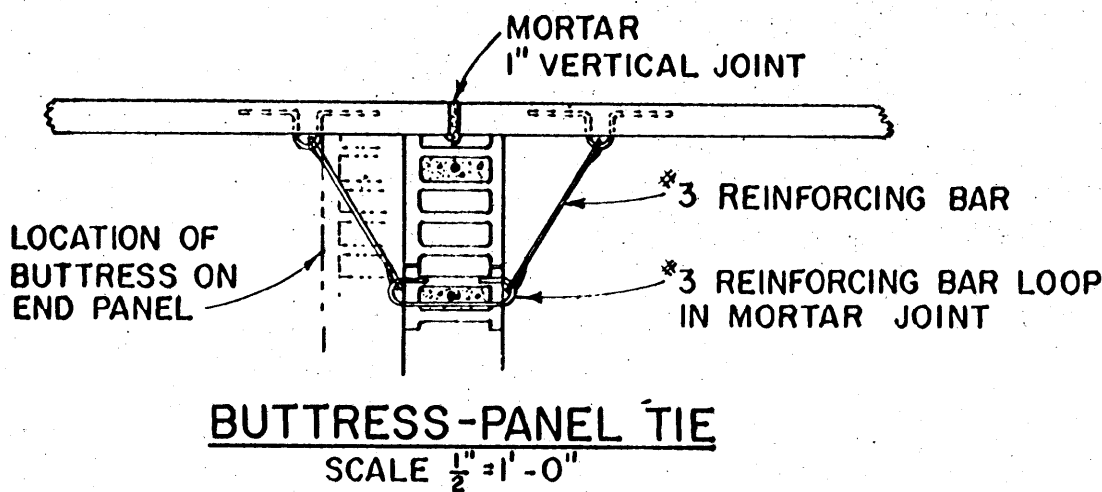


NOTES:

1. DIMENSIONS IN PARENTHESIS PERTAIN ONLY TO THE 14 FOOT HIGH PANEL.
2. SPECIFY MIN. 4000 PSI. COMPRESSIVE STRENGTH CONCRETE, ie. 6 GALLONS OF WATER PER SACK OF CEMENT, MIN. 7 SACKS OF CEMENT PER CU. YD. CONCRETE. USE 6% AIR ENTRAINMENT.
3. MINIMUM LAP FOR ALL REINFORCING SHALL BE 10"
4. CAST FLOOR IN LENGTHWISE STRIPS 10' WIDE.
5. USE POLYETHYLENE OR TREATED PAPER BOND BREAKER BETWEEN FLOOR & PANELS.
6. USE A VIBRATOR TO ELIMINATE VOIDS IN THE CONCRETE.
7. WET CURE PANELS 5 TO 7 DAYS BEFORE TILTING INTO PLACE.
APPROXIMATE PANEL WEIGHT (10 FT. - 3460 LBS.)
(14 FT. - 7630 LBS.)

SILO CAPACITY - TONS/FT. OF LENGTH						
DEPTH	DENSITY	AVERAGE SILO WIDTH				
		20	30	40	50	60
10 FT.	40 ³ /FT. ³	4	6	8	10	12
14 FT.	45 ³ /FT. ³	6.3	9.4	12.6	15.8	18.9



BASED ON: CORNELL UNIV. PLAN NO. 838

COOPERATIVE EXTENSION WORK IN
AGRICULTURE AND HOME ECONOMICS

STATE OF MISSISSIPPI
MISSISSIPPI STATE UNIVERSITY
UNITED STATES DEPARTMENT OF AGRICULTURE COOPERATING

HORIZONTAL SILO
TILT-UP BELOW GRADE

N.Y. '73 EX. 6175 SHEET 1 OF 1