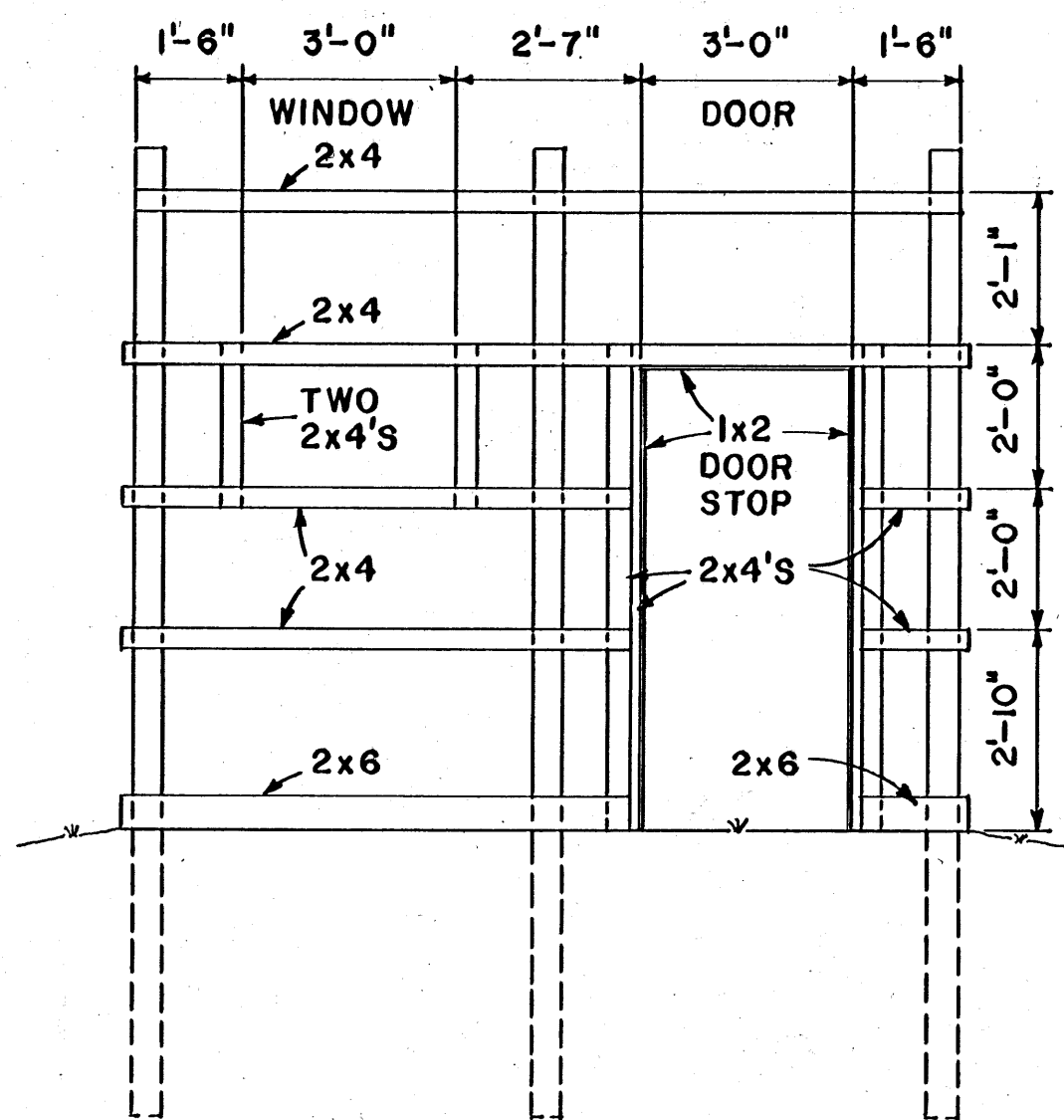
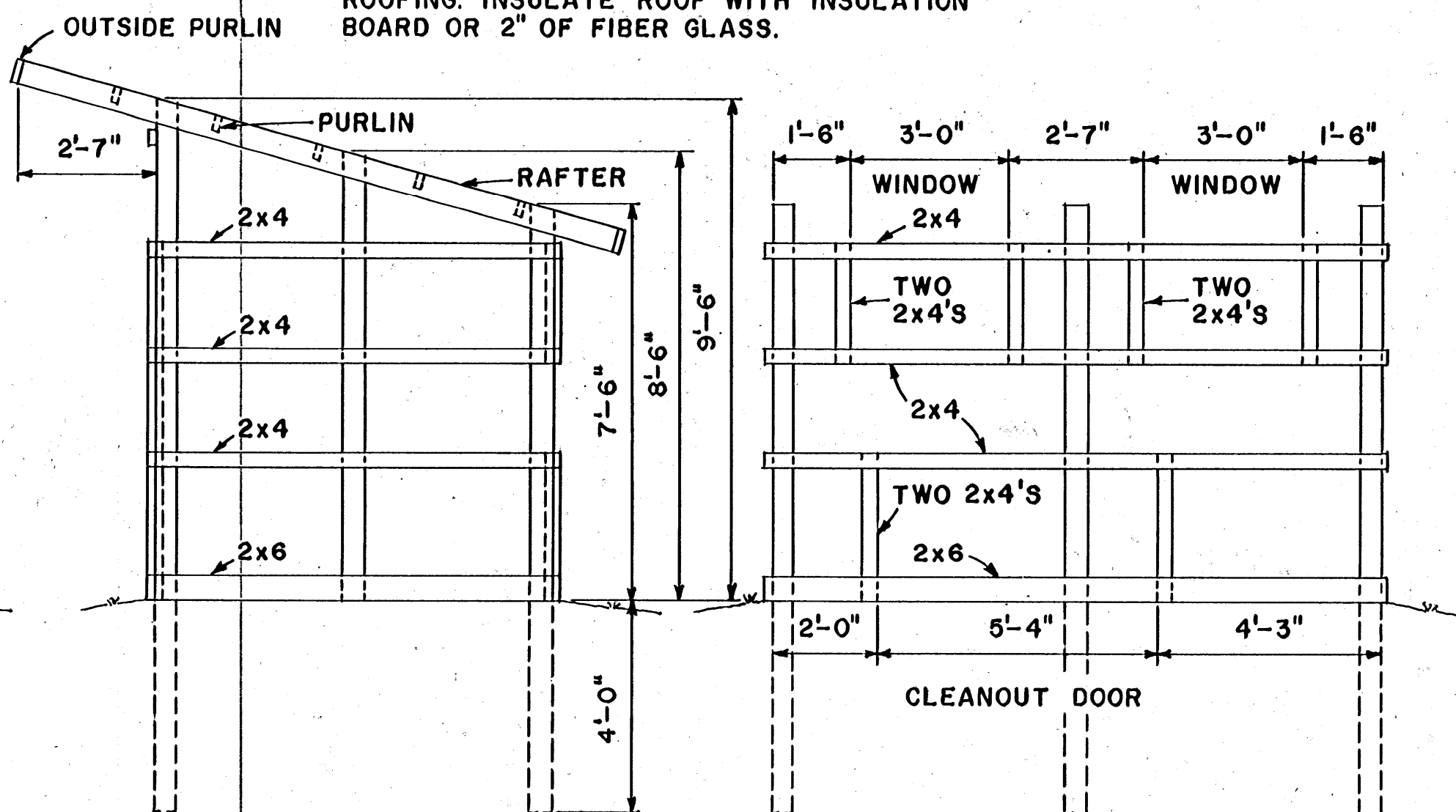


ROOF MAY BE METAL OR 1/2" EXT. PLYWOOD OR OTHER SHEATHING WITH SHINGLES OR ROLL ROOFING. INSULATE ROOF WITH INSULATION BOARD OR 2" OF FIBER GLASS.

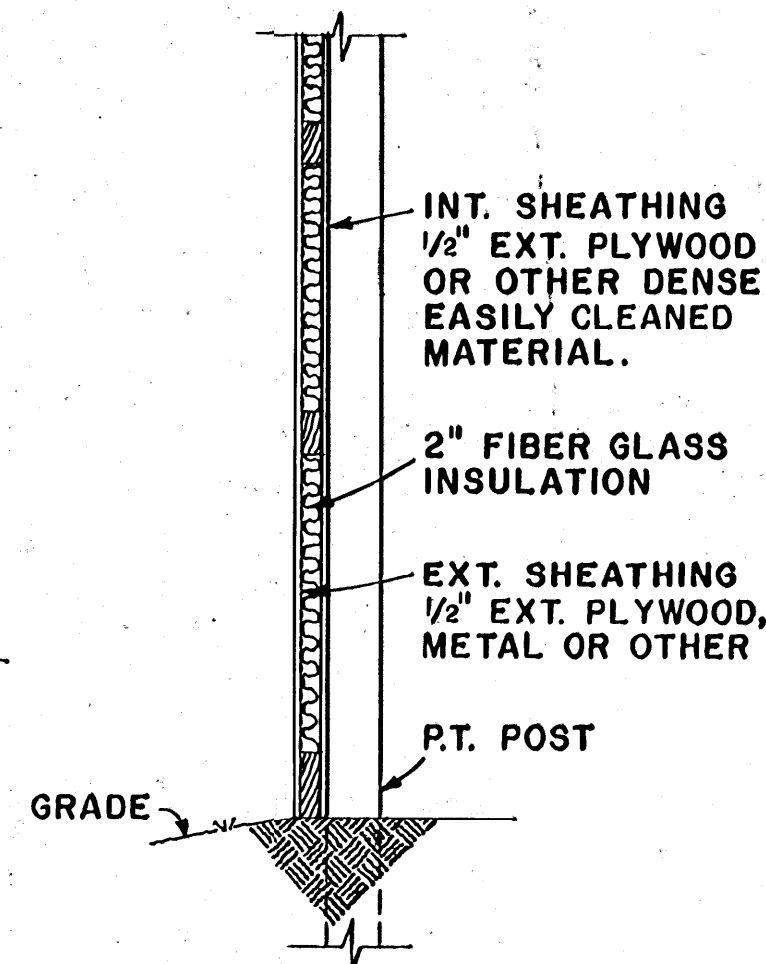


FRONT FRAMING



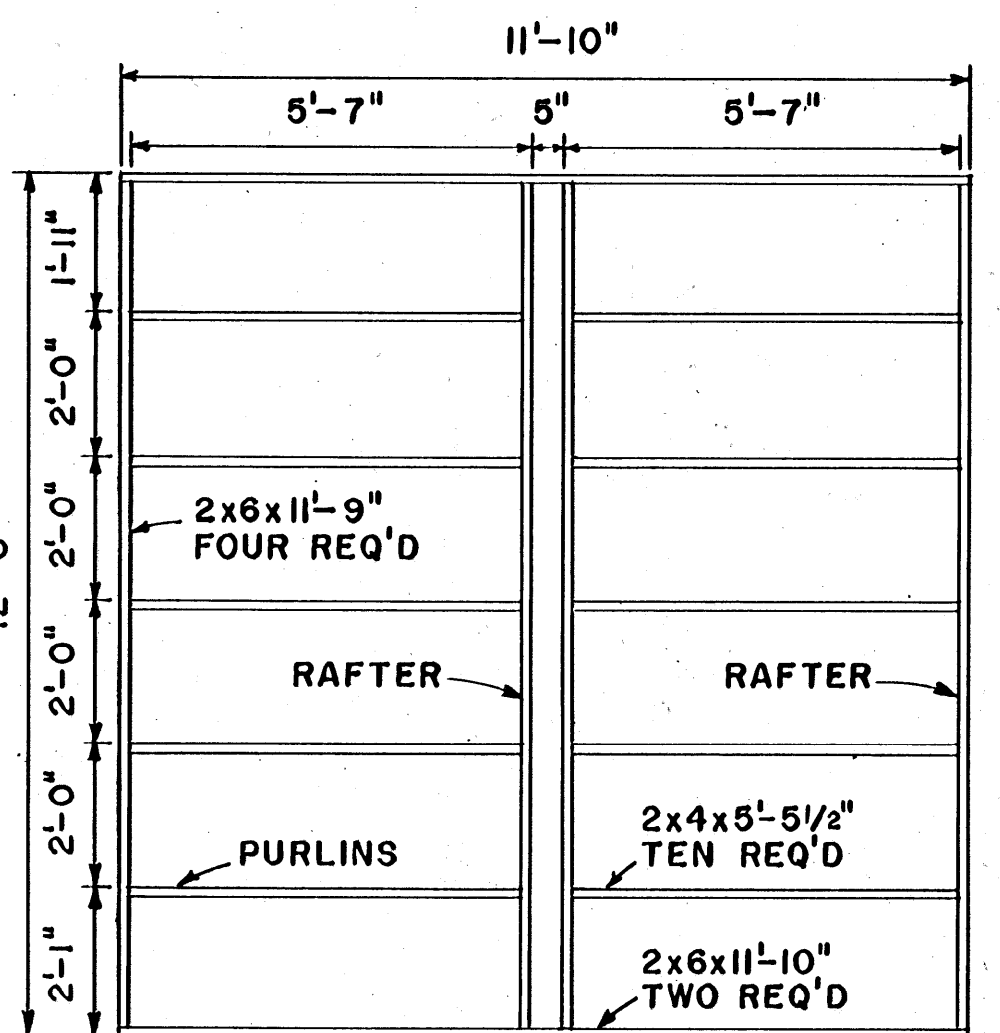
SIDE FRAMING

REAR FRAMING

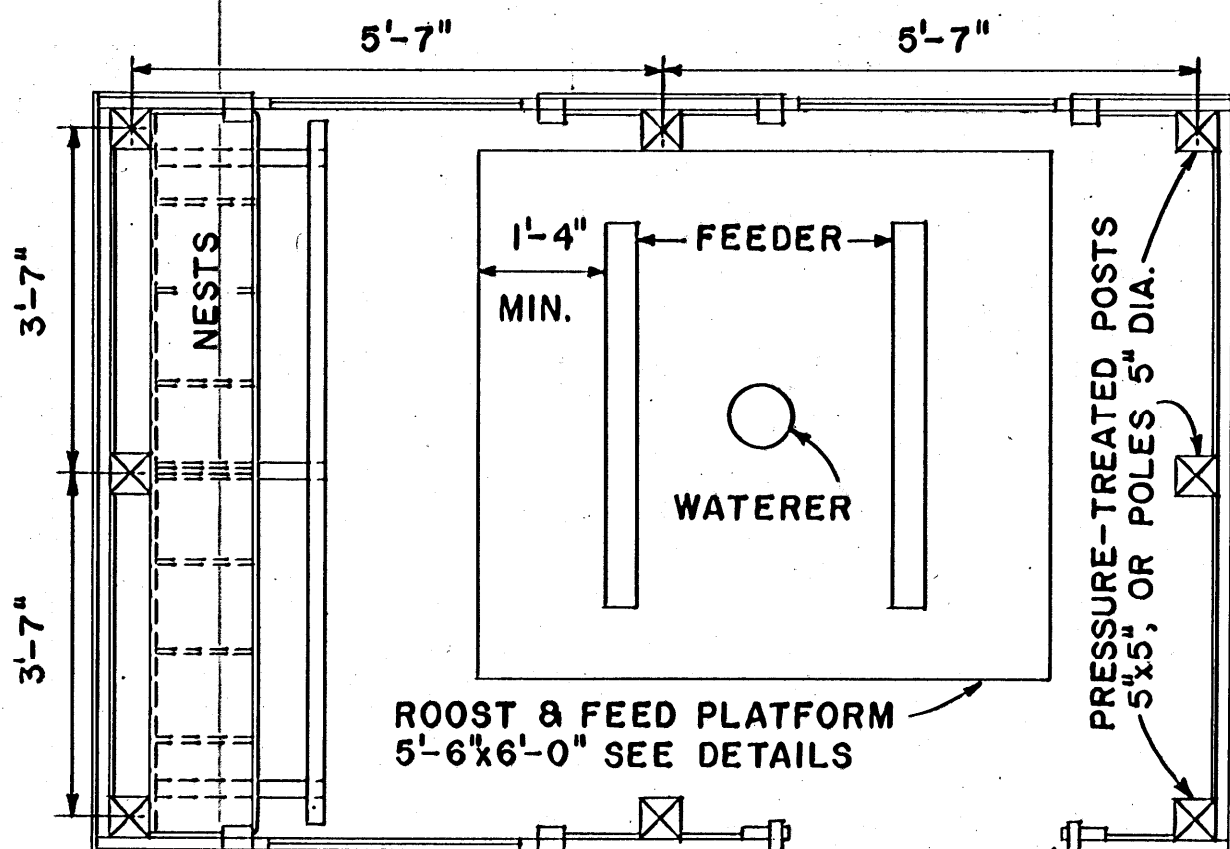


TYPICAL WALL SECTION

SCALE: 3/4" = 1'-0"
12' 9" 6" 3" 0" 1'

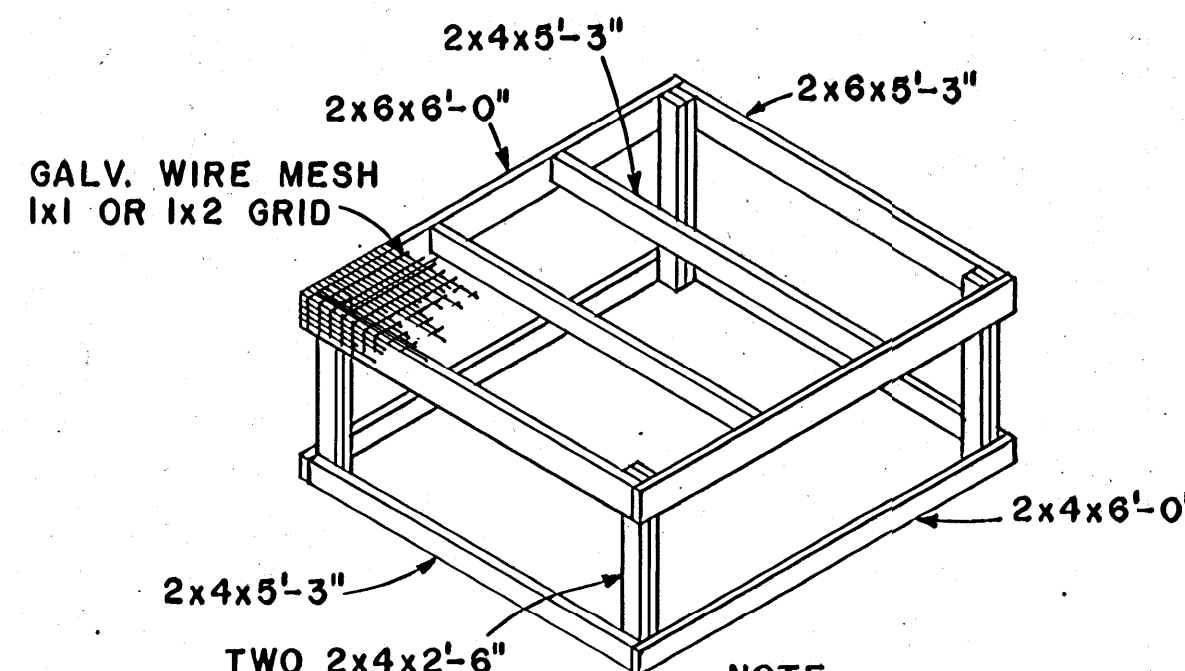


ROOF FRAMING



FLOOR PLAN

SCALE: 1/2" = 1'-0"
12' 6" 0" 1' 2' 3'



ROOST & FEED PLATFORM DETAILS

NOTE:
ENCLOSE BOTH ENDS AND ONE SIDE WITH 1/2" EXT. PLYWOOD. OPEN SIDE TO FACE OUTSIDE CLEANOUT DOOR.

SCALE: 3/8" = 1'-0" UNLESS OTHERWISE NOTED
12' 6" 0" 1' 2' 3'

NOTE:
BUILD ROOF FRAME IN TWO PANELS
NAIL EACH PANEL TO P.T. POSTS, THEN
ATTACH THE TWO OUTSIDE PURLINS.

NOTES:
TOTAL OUTSIDE DIMENSIONS AFTER COMPLETION
APPROXIMATELY 8x12'.
FLOOR MAY BE DIRT OR CONCRETE.
DRESS LUMBER THRU-OUT.
CONSULT LOCAL HEALTH AND BUILDING CODE
AUTHORITIES BEFORE STARTING CONSTRUCTION.

BASED ON: W. VA. UNIV. PLAN NO. PO-145

COOPERATIVE EXTENSION WORK IN
AGRICULTURE AND HOME ECONOMICS
STATE OF MISSISSIPPI
MISSISSIPPI STATE UNIVERSITY
AND
UNITED STATES DEPARTMENT OF AGRICULTURE COOPERATING

POULTRY HOUSE
25 TO 40 LAYERS

W. VA. '74 **6187** SHEET 1 OF 1