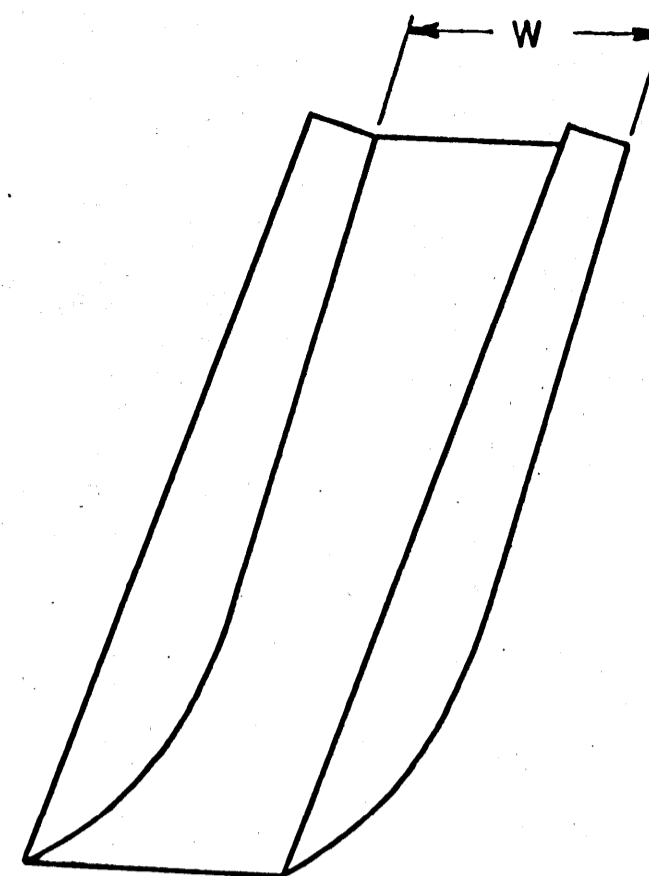


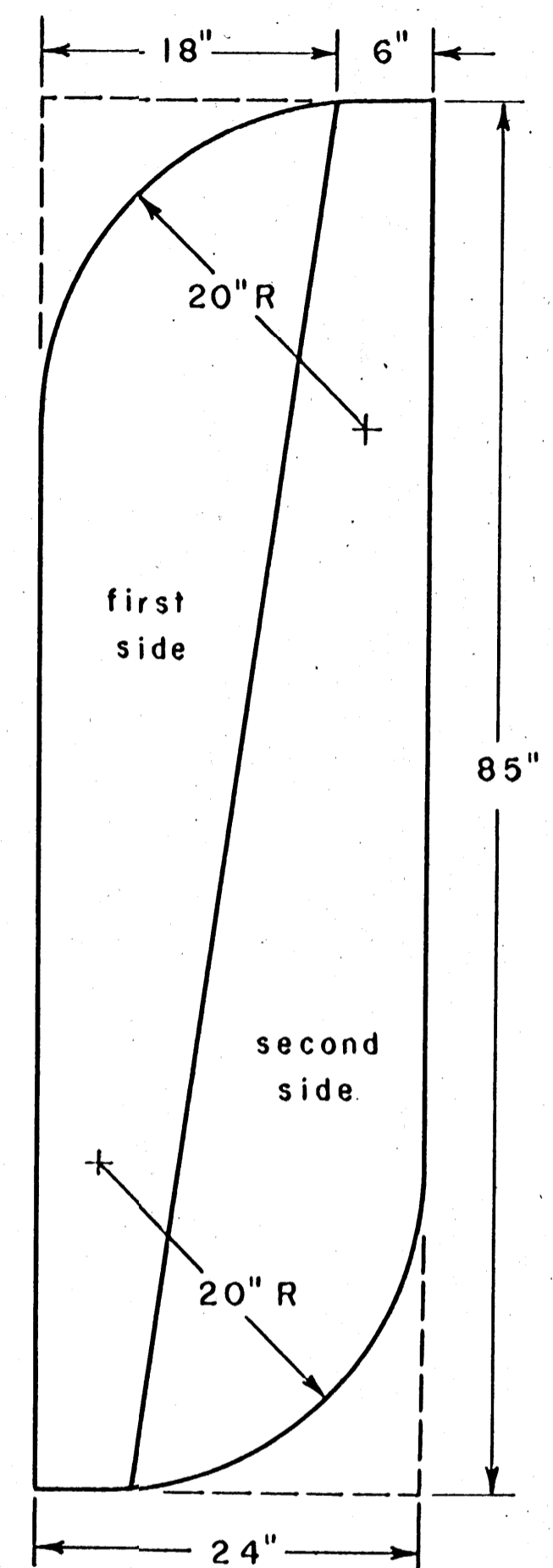
C. Flush tank detail

VARIABLE DIMENSIONS

| | | | |
|---------------------------|-----|-----|-----|
| Gutter width, feet | 4 | 5 | 6 |
| Tank width, inches | 41 | 53 | 65 |
| Back splash width, inches | 47 | 59 | 71 |
| Flush volume, gallons | 180 | 230 | 280 |
| Counterbalance, pounds | 95 | 119 | 144 |

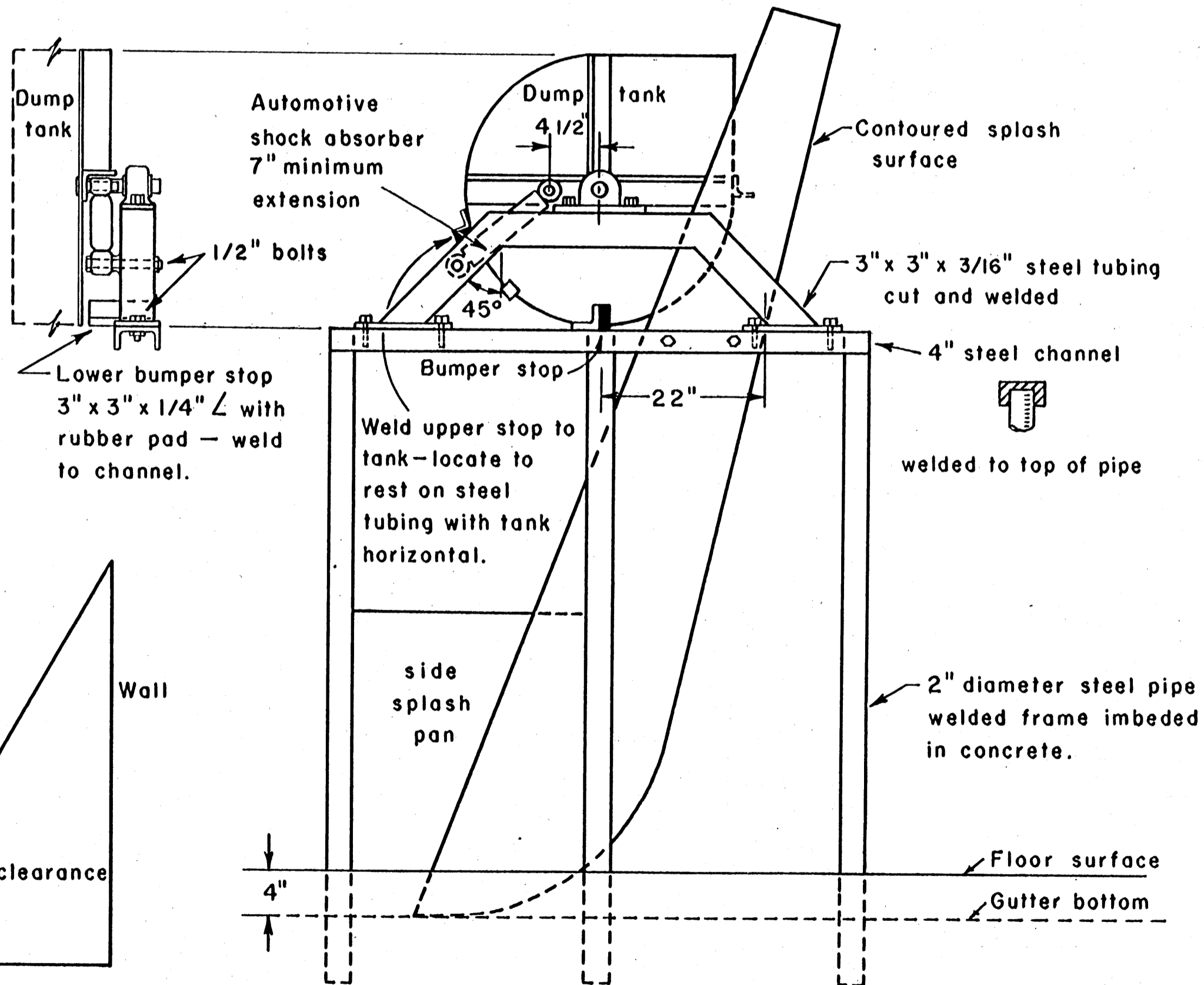


D. Splash surface

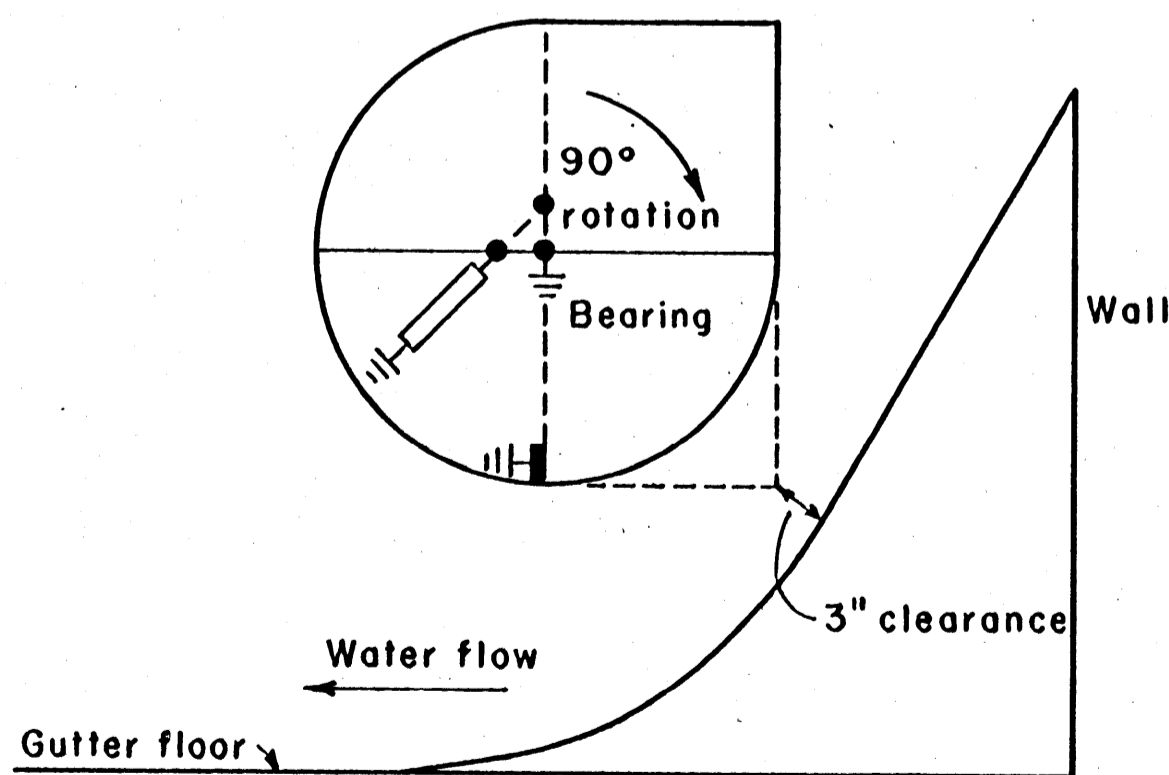


E. Cut out pattern for splash surface

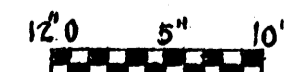
F. Detail shock absorber mount - two required.



A. Assembly



B. Dumping mode



SCALE: 0.1" = 1.0" except where otherwise noted

BASED ON: UNIV. OF MD. PLAN 75-1-4

COOPERATIVE EXTENSION WORK IN AGRICULTURE AND HOME ECONOMICS
STATE OF MISSISSIPPI
MISSISSIPPI STATE UNIVERSITY.
AND
UNITED STATES DEPARTMENT OF AGRICULTURE COOPERATING

**CIRCULAR FLUSH TANK
SELF-DUMPING**

MD. '76 | 6 2 3 8 | SHEET 1 OF 1