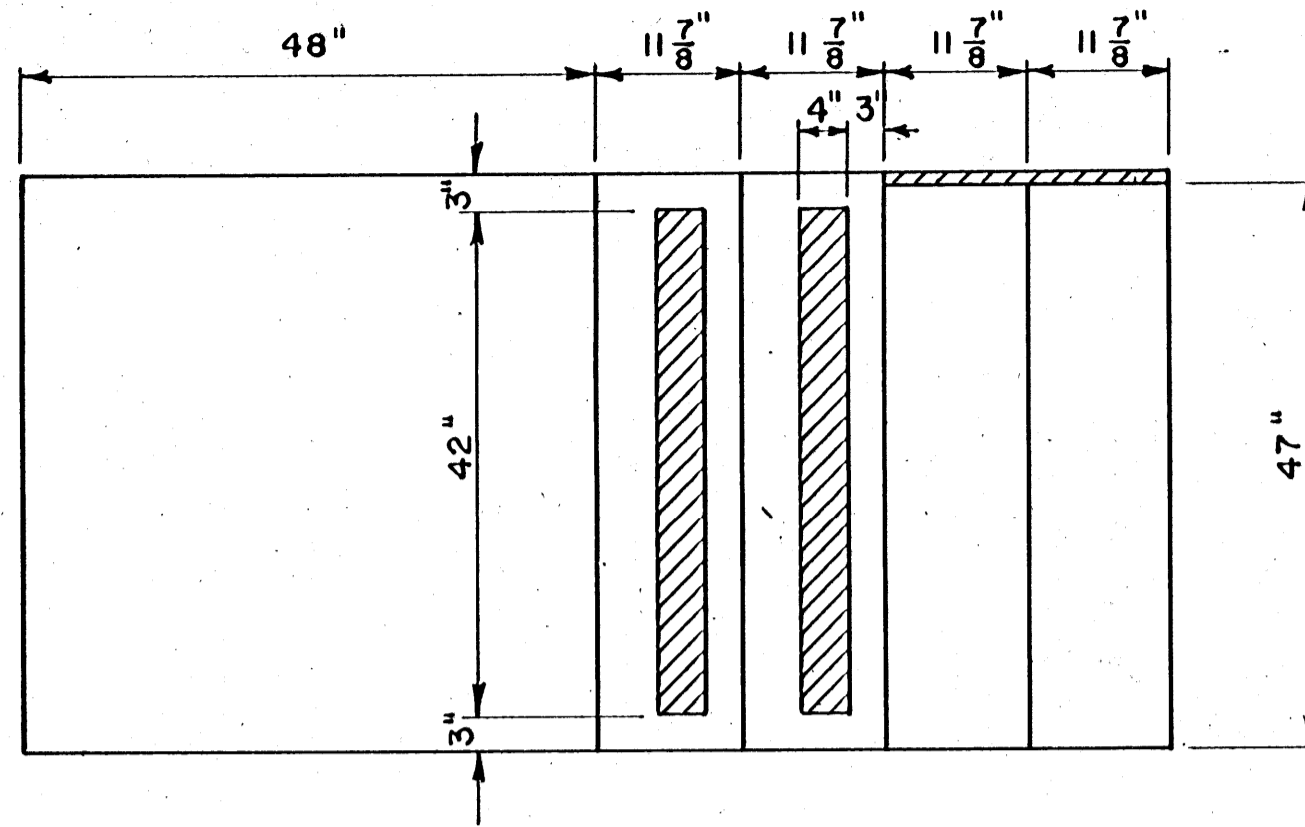


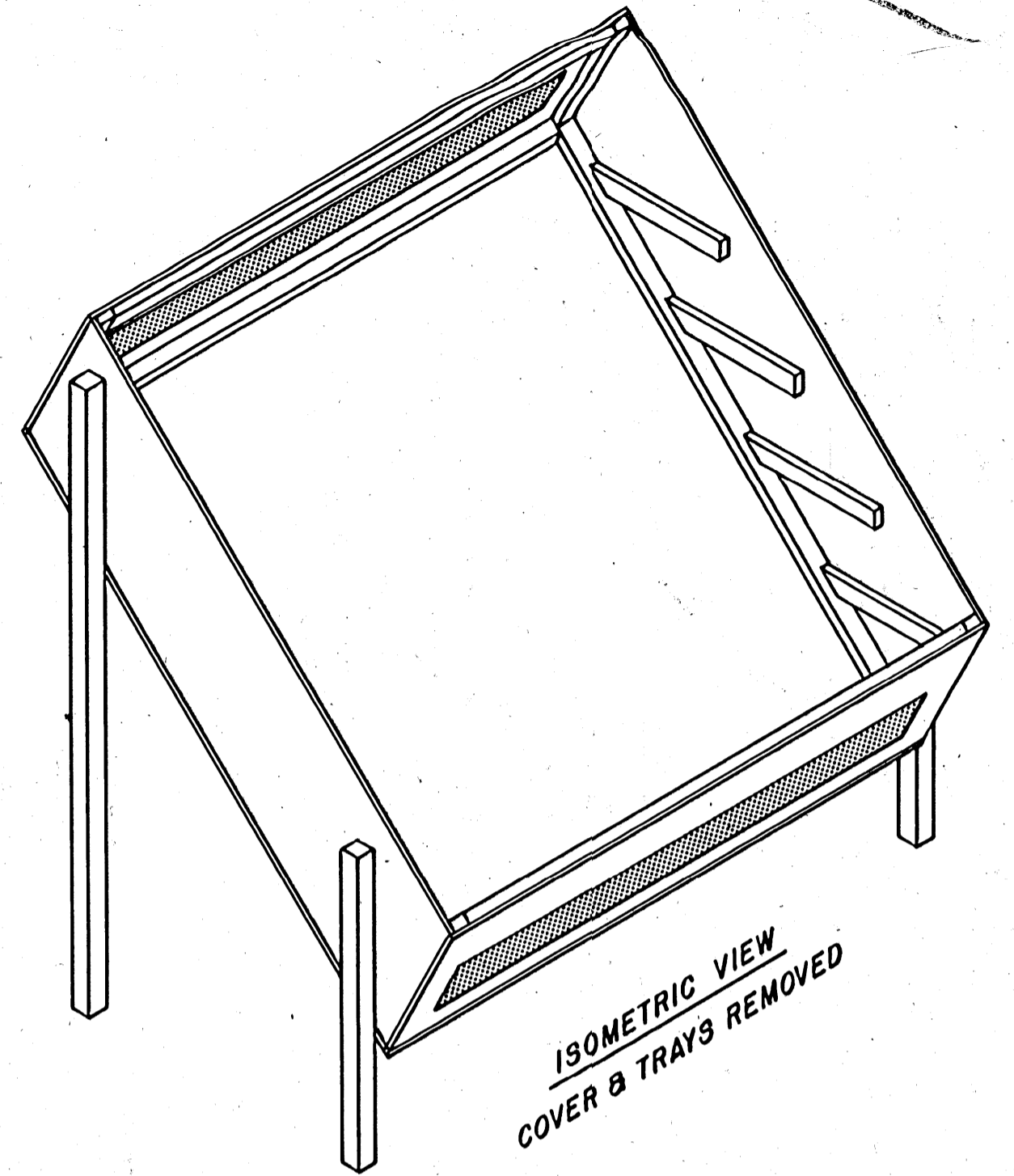
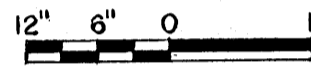
MATERIAL	QUANTITY
4' x 8' x 1/2" Ext. Plywood	1 Sheet
2" x 2"	12'
1" x 2"	120'
Alum. Or Viny Insect Screening	4' x 5'
4 - 6 Mil Clear Film	5' x 5'
1/2" x 3" "L Strap" Corner Braces	20
Misc. Supplies - Paint, Nails, Glue, etc.	As Req'd

NOTE:
CONSULT LOCAL HEALTH AND BUILDING
CODE AUTHORITIES BEFORE STARTING
CONSTRUCTION.

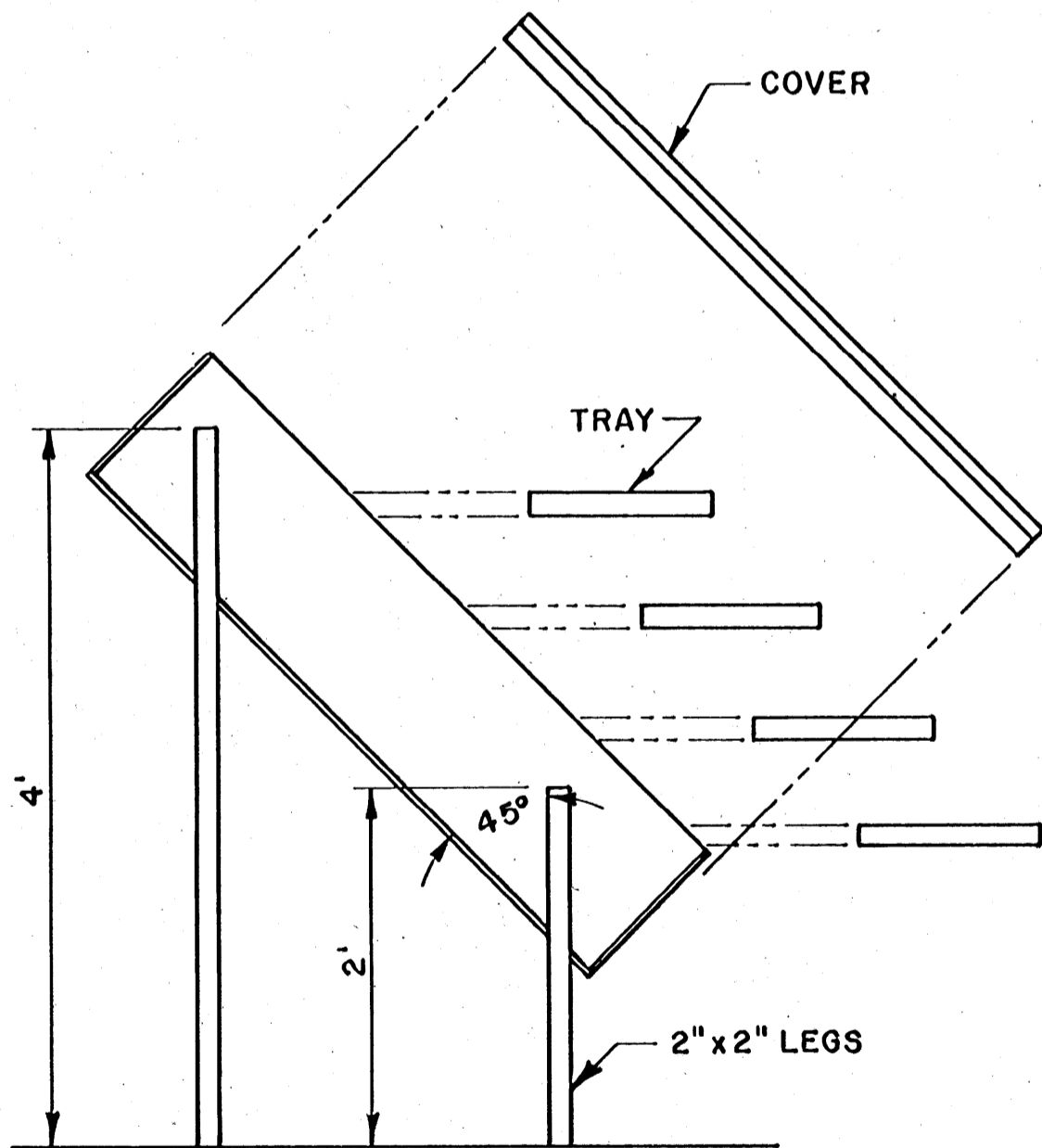


PLYWOOD CUTTING DIAGRAM

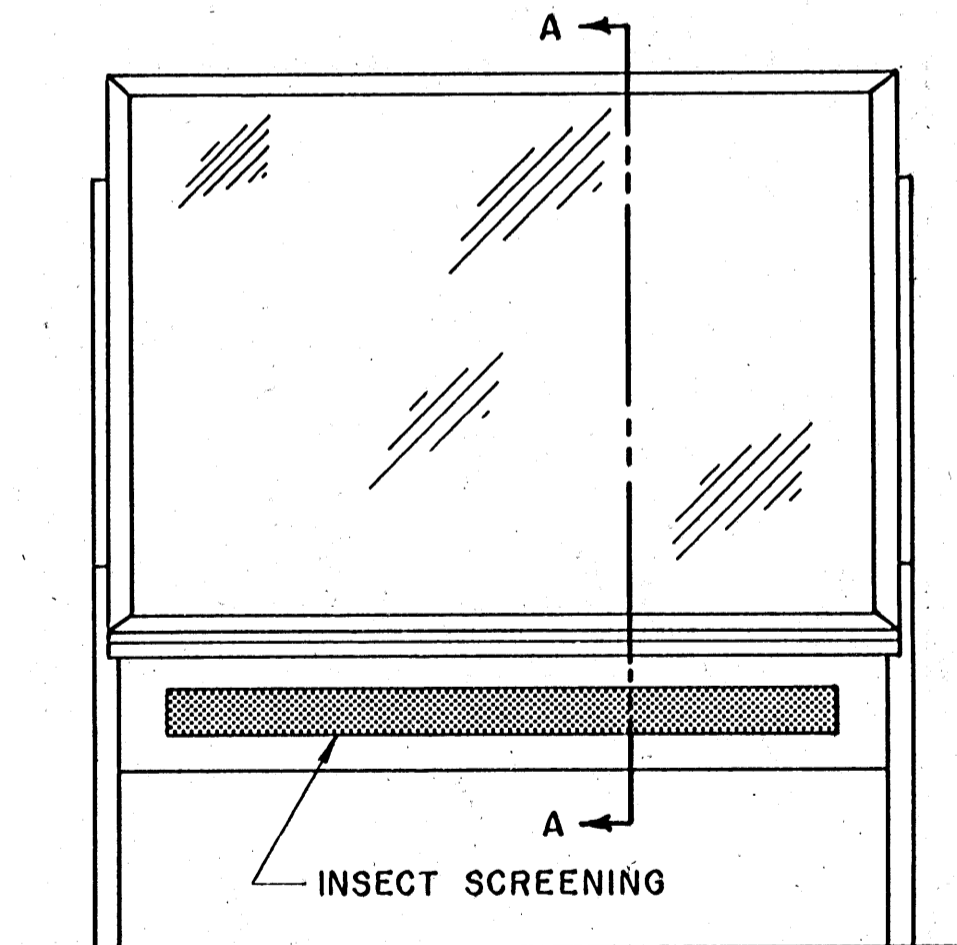
SCALE 3/4" = 1' - 0"



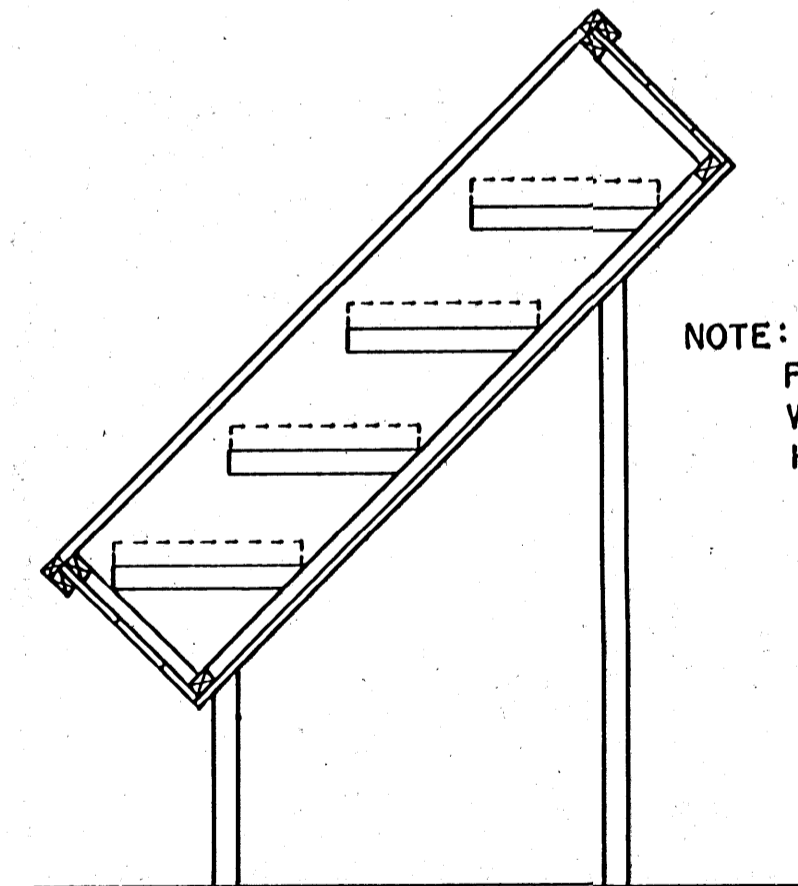
ISOMETRIC VIEW
COVER & TRAYS REMOVED



SIDE VIEW



FRONT VIEW



SECTION A-A

NOTE:
Fasten Cover To Box
With 4 Screen Door
Hooks

NOTE:
Do Not Use Paint That Contains Lead On Trays Or Inside Of Box.

BASED ON: OKLA. STATE UNIV.
PLAN NO. OK-770-9

Adapted From Design By DAVID G. WAGNER &
POLLY ALLEN, Colorado State University

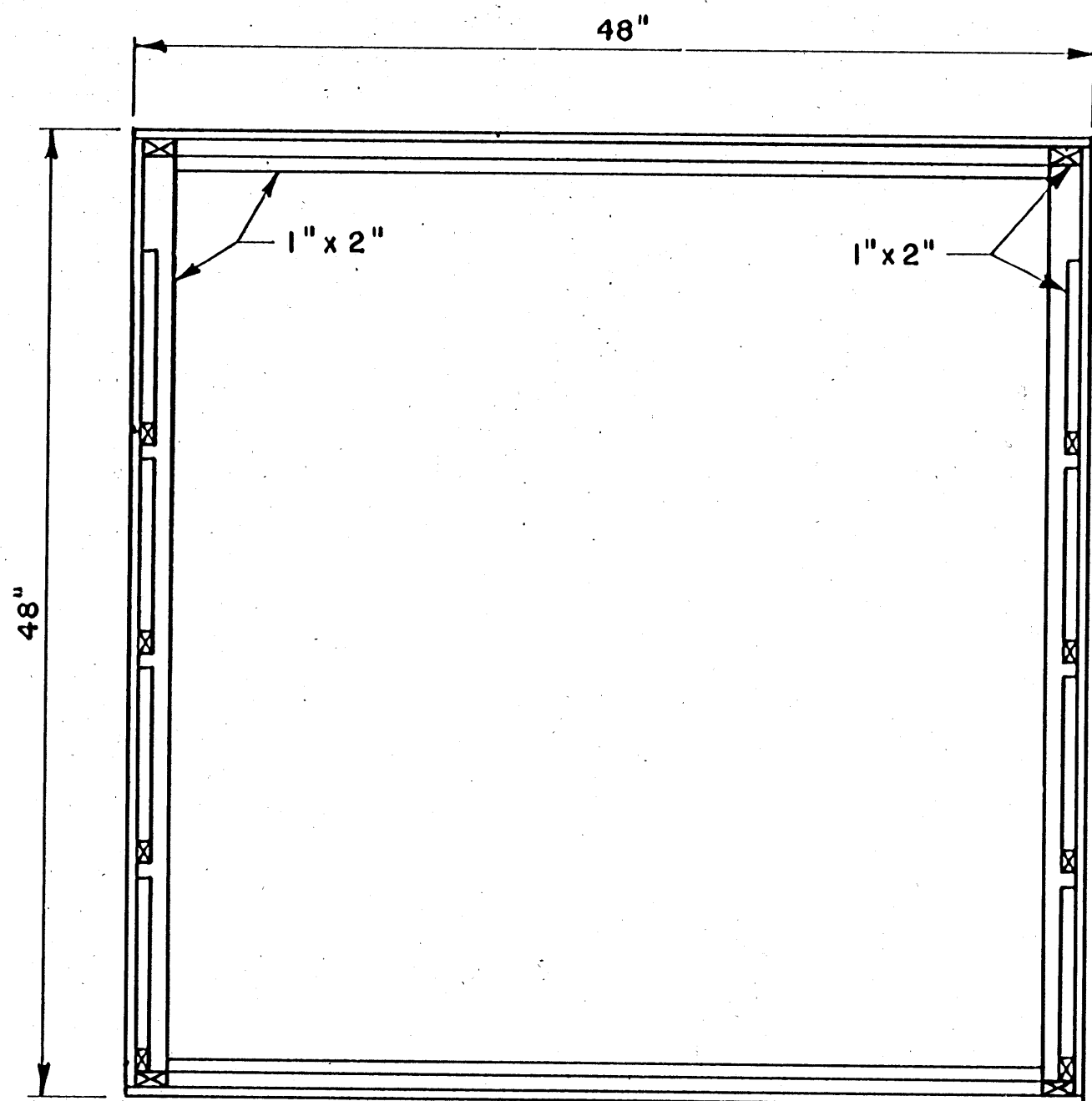


Except As Noted, Scale: 1" = 1' - 0"

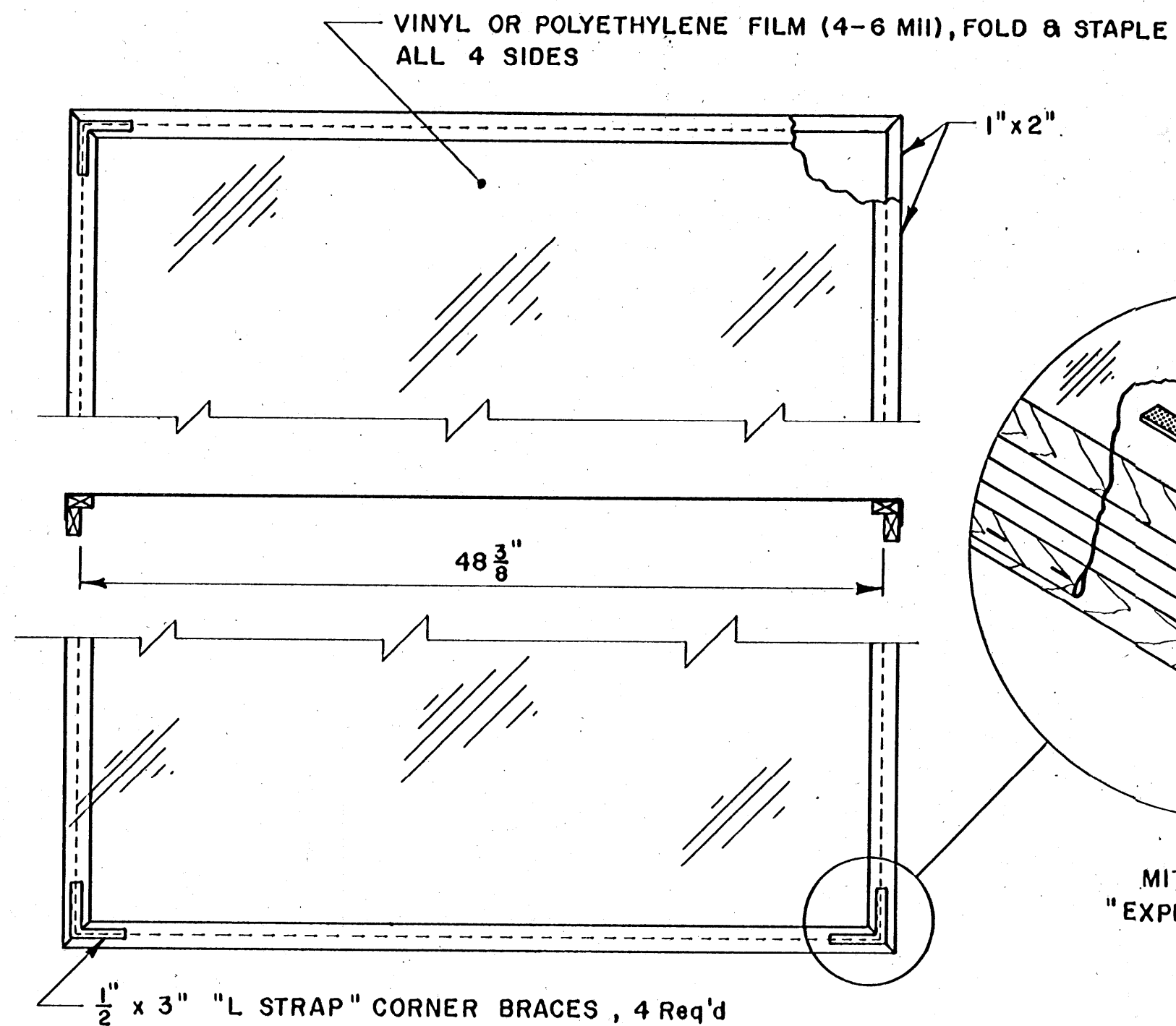
COOPERATIVE EXTENSION WORK IN
AGRICULTURE AND HOME ECONOMICS
STATE OF MISSISSIPPI
MISSISSIPPI STATE UNIVERSITY
AND
UNITED STATES DEPARTMENT OF AGRICULTURE COOPERATING

SOLAR FRUIT DRYER

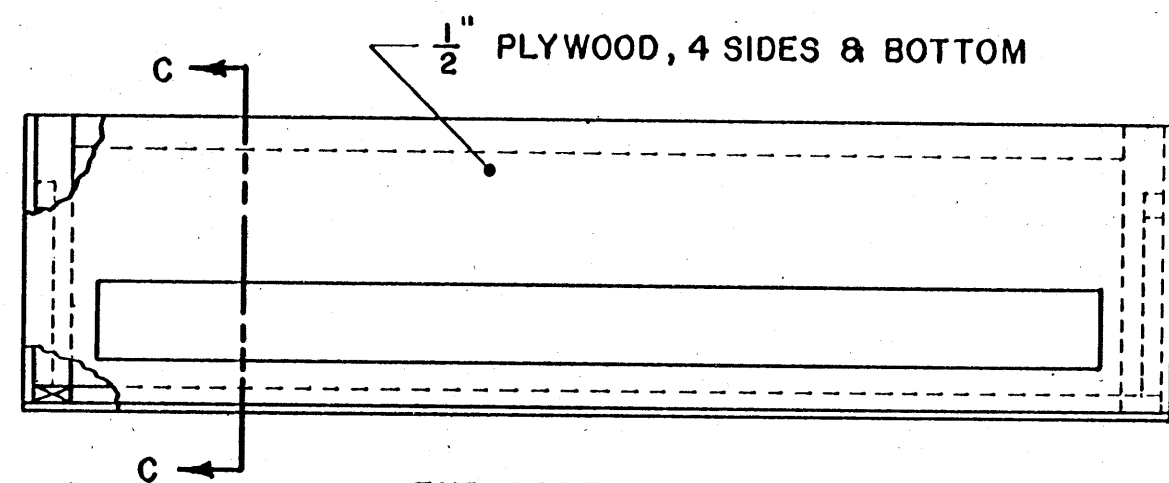
OK. '76 6244 SHEET 1 OF 2



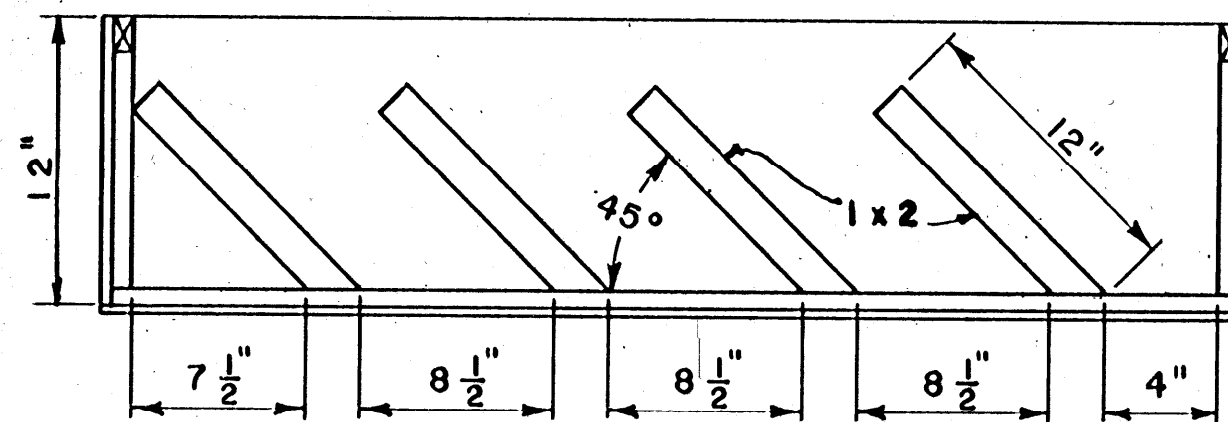
PLAN VIEW OF BOX



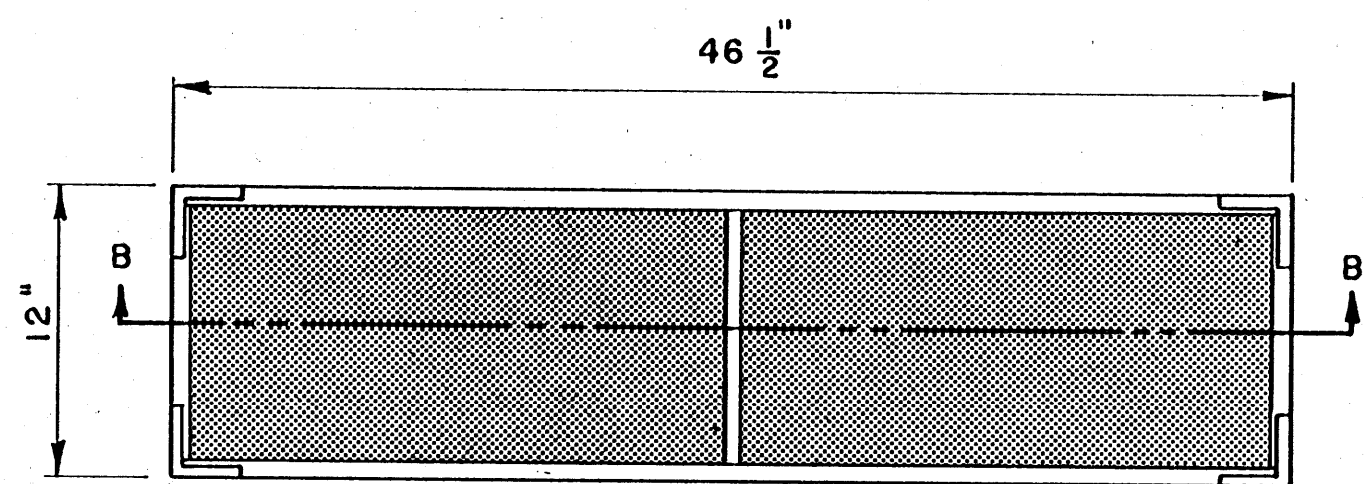
COVER



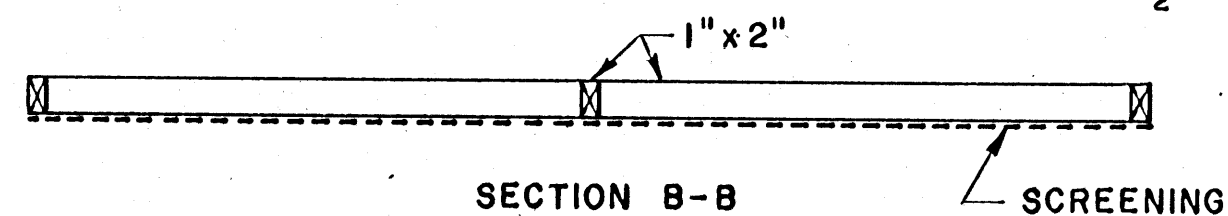
END VIEW OF BOX



SECTION C-C



TRAY DETAIL



SECTION B-B

SCREENING

NOTE:

1. All Joints To Be Glued & Nailed
2. Trays & Inside Of Box To Be Painted Flat Black
3. Outside Of Box & Cover Frame To Be Finished With Spar Varnish Or Exterior Paint

NO SCALE

COOPERATIVE EXTENSION WORK IN
 AGRICULTURE AND HOME ECONOMICS
 STATE OF MISSISSIPPI
 MISSISSIPPI STATE UNIVERSITY
 AND
 UNITED STATES DEPARTMENT OF AGRICULTURE COOPERATING

SOLAR FRUIT DRYER

OK.	'76	6244	SHEET 2 OF 2
-----	-----	------	--------------