

NOTES:

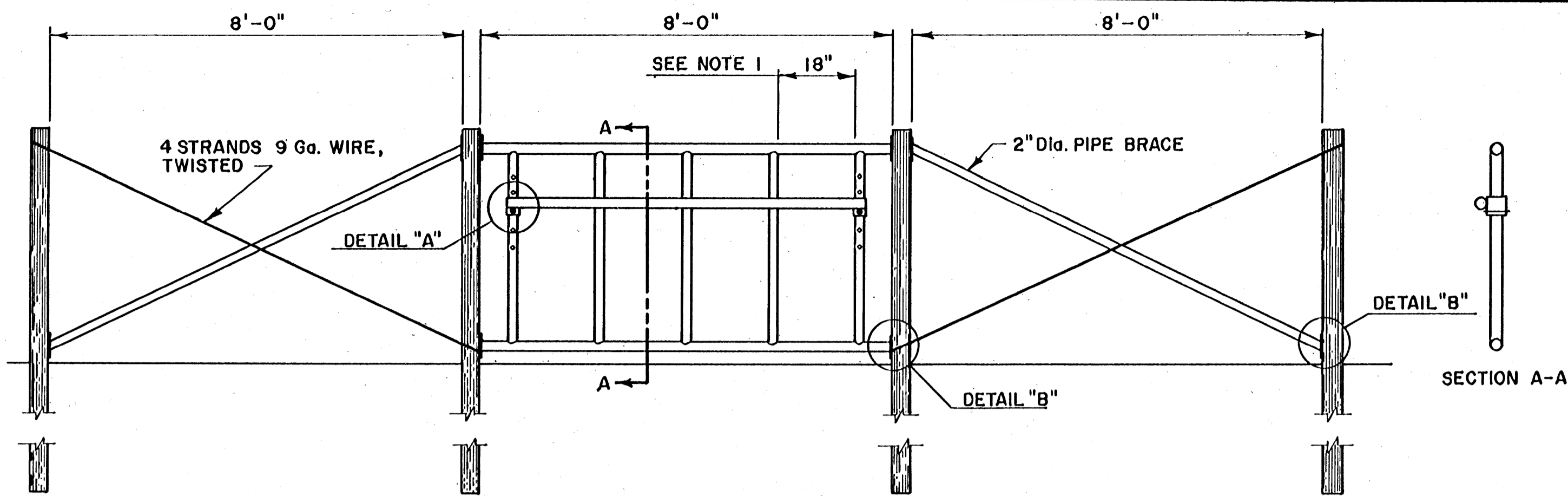
1. 18" Wide Is Generally Acceptable For Calves Up To 600 Lbs. This May Need To Be Varied For Your Specific Requirements.
2. Horizontal Bar To Be Adjustable From 24" To 48" (Measured From Ground Line) In 4" Increments. A Second Bar Is Required To Block Gate Completely.
3. Provide A Latch Post With The Capability To Latch Gate At Both Top And Bottom.
4. P.P.T. = Pressure Preservative Treated

BASED ON: OKLA. STATE UNIV.
PLAN NO. OK-724-31

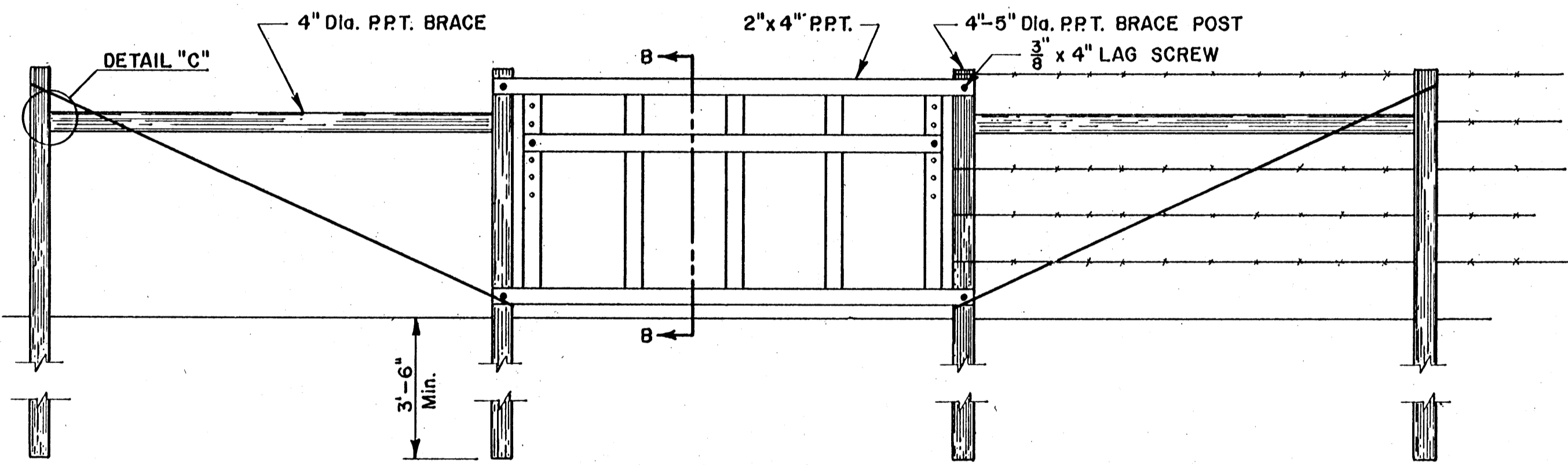
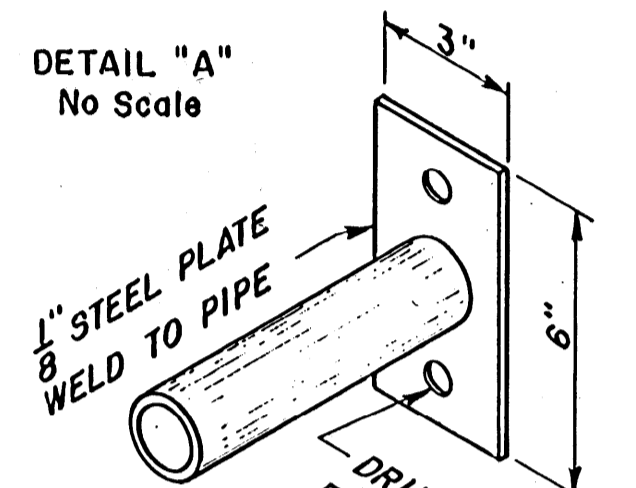
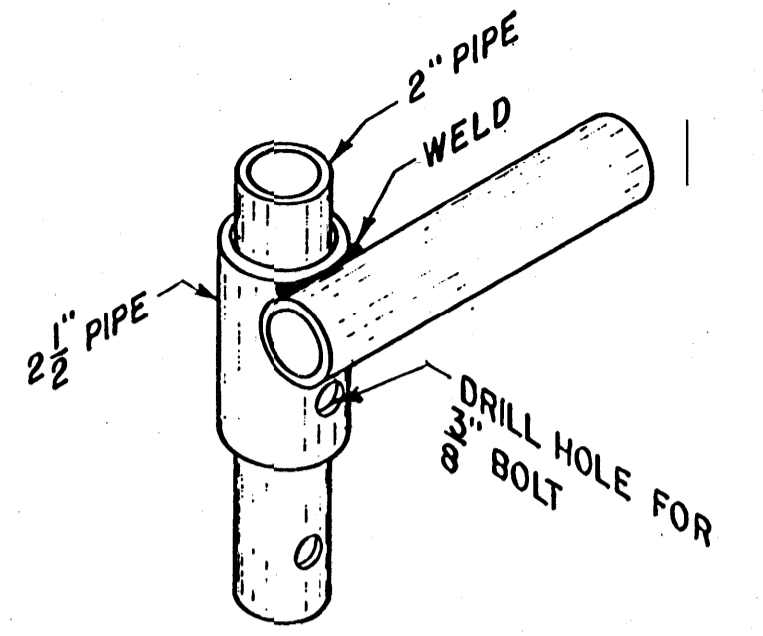
COOPERATIVE EXTENSION WORK IN
AGRICULTURE AND HOME ECONOMICS
STATE OF MISSISSIPPI
MISSISSIPPI STATE UNIVERSITY
AND
UNITED STATES DEPARTMENT OF AGRICULTURE COOPERATING

PASTURE CREEP GATE

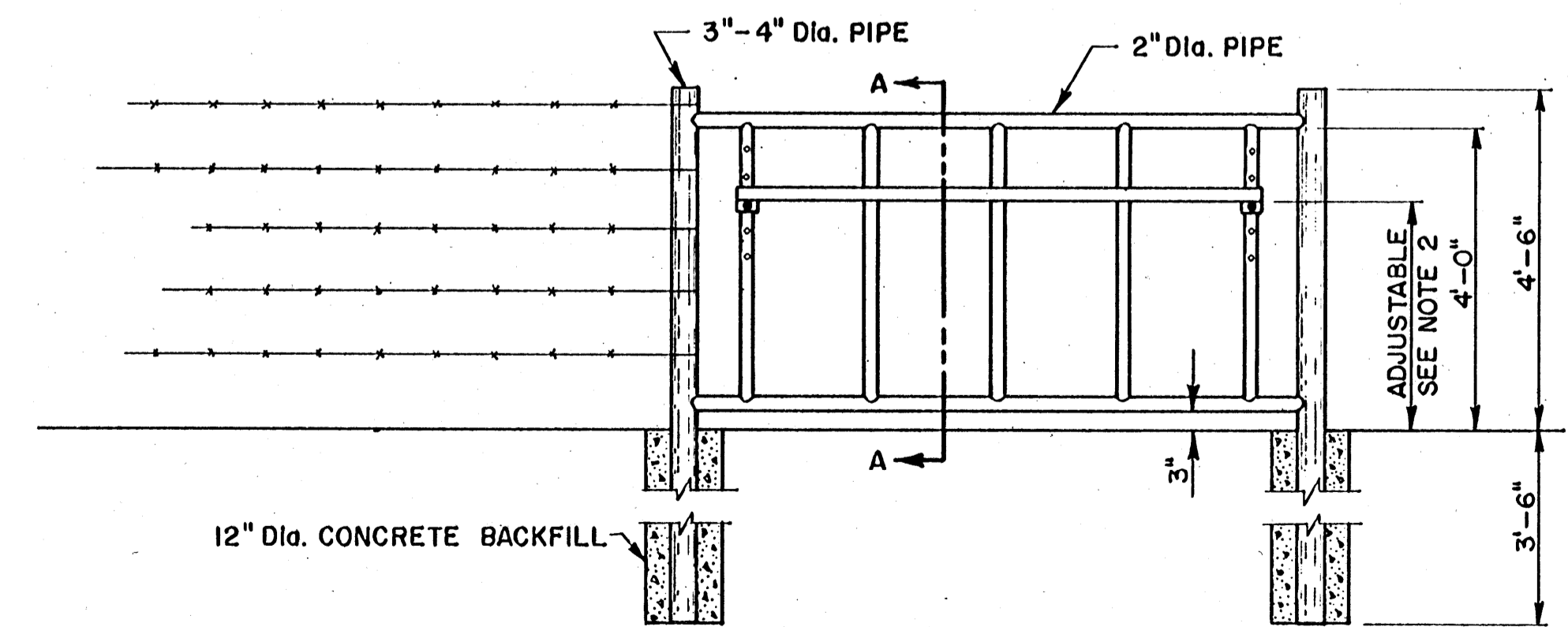
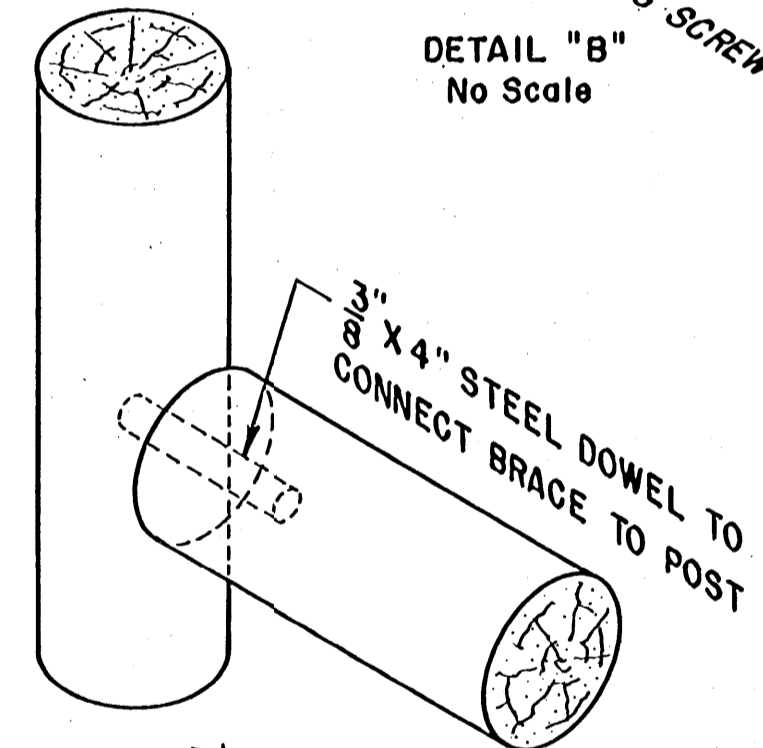
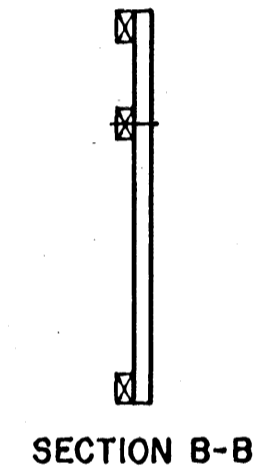
OK	'77	6266	SHEET 1 OF 2
----	-----	------	--------------



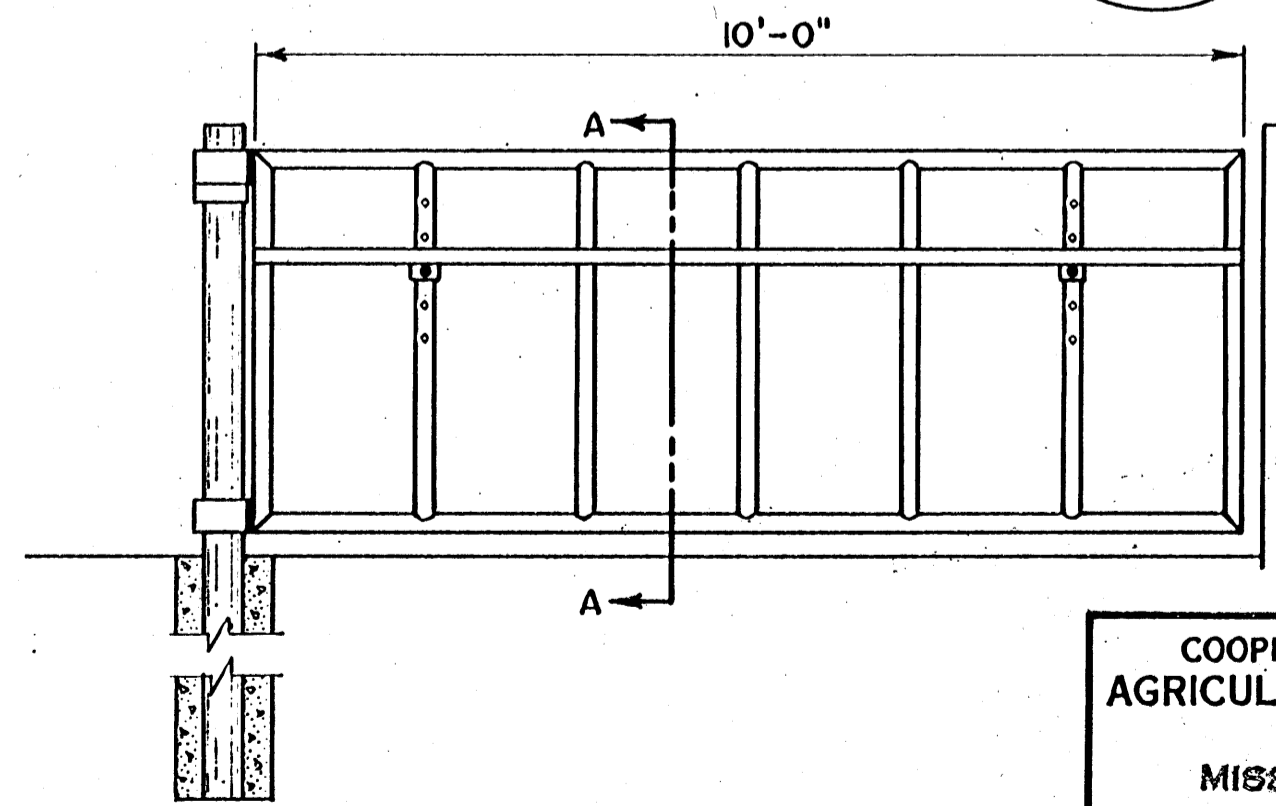
TYPE 1 - METAL & WOOD CONSTRUCTION
STRETCH POST ASSEMBLY



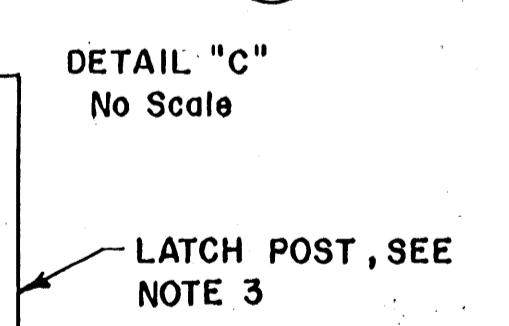
TYPE 2 - WOOD CONSTRUCTION
STRETCH POST ASSEMBLY



TYPE 3 - METAL CONSTRUCTION
STRETCH, CORNER, OR END POST ASSEMBLY



TYPE 4 - METAL CONSTRUCTION
PASTURE GATE ASSEMBLY



Scale: 1/2" = 1'-0" Except As Noted