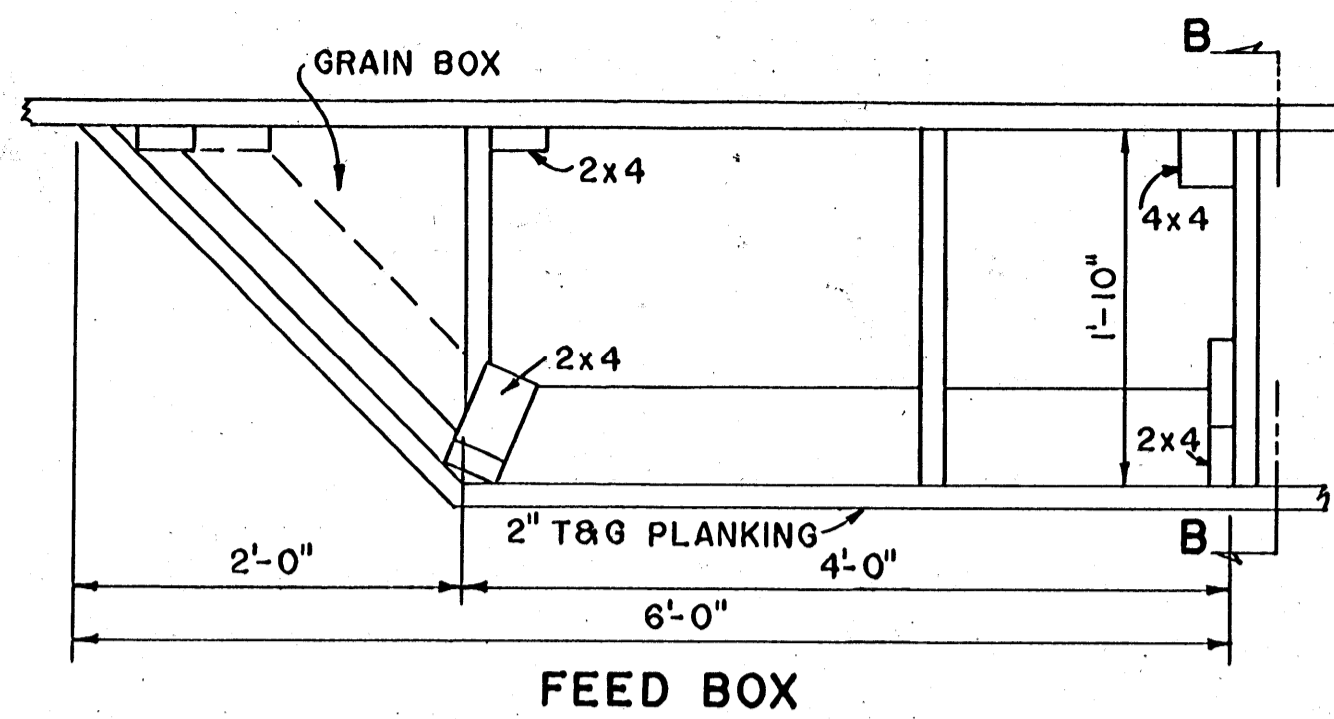
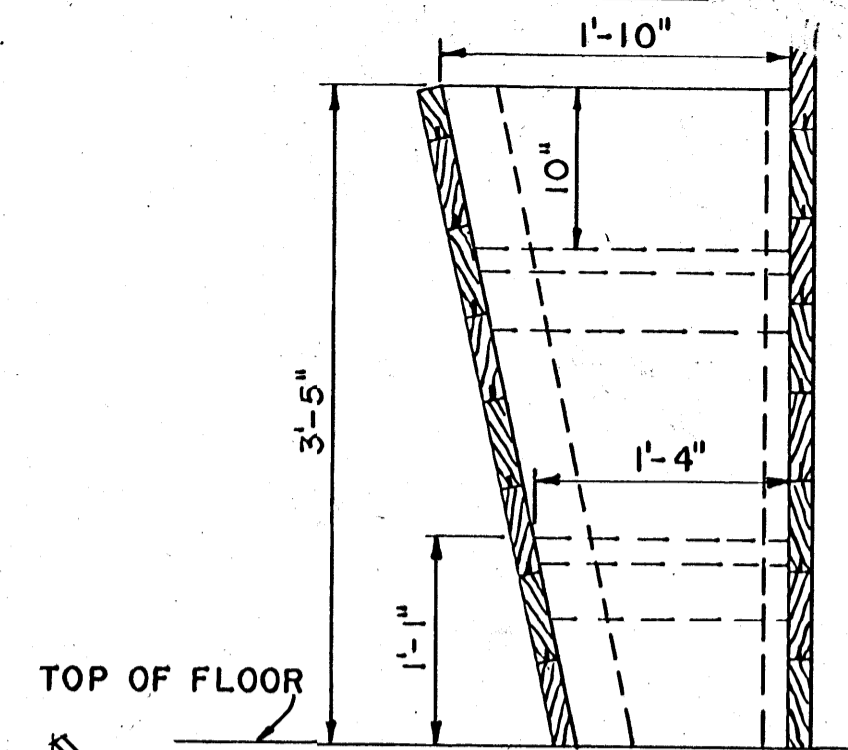


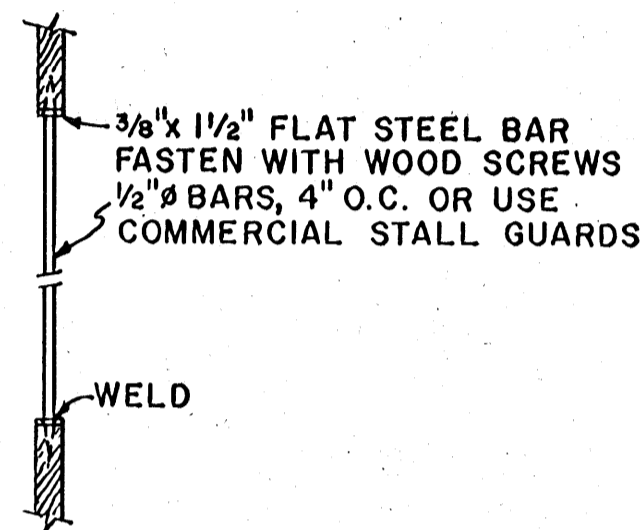
PLAN
SCALE: 3/16" = 1'-0"
12' 0" 1' 2' 3' 4'



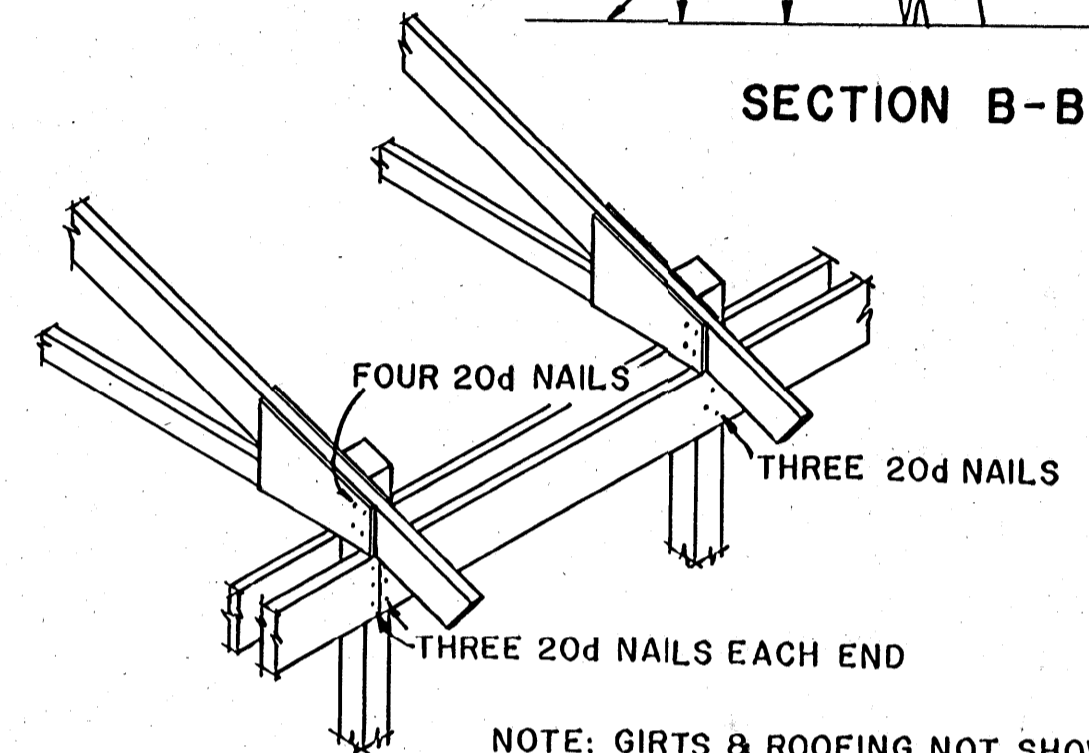
FEED BOX



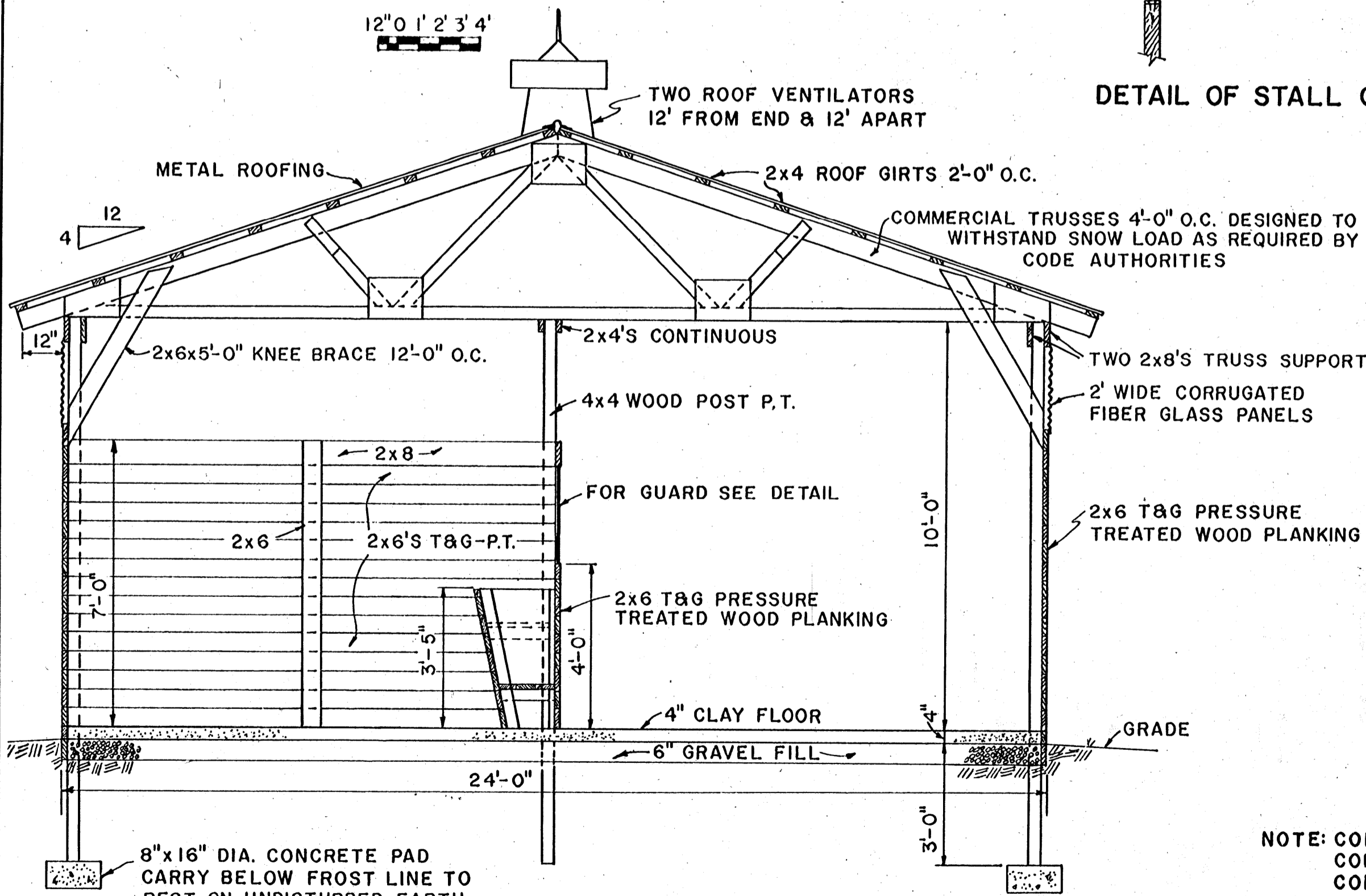
SECTION B-B



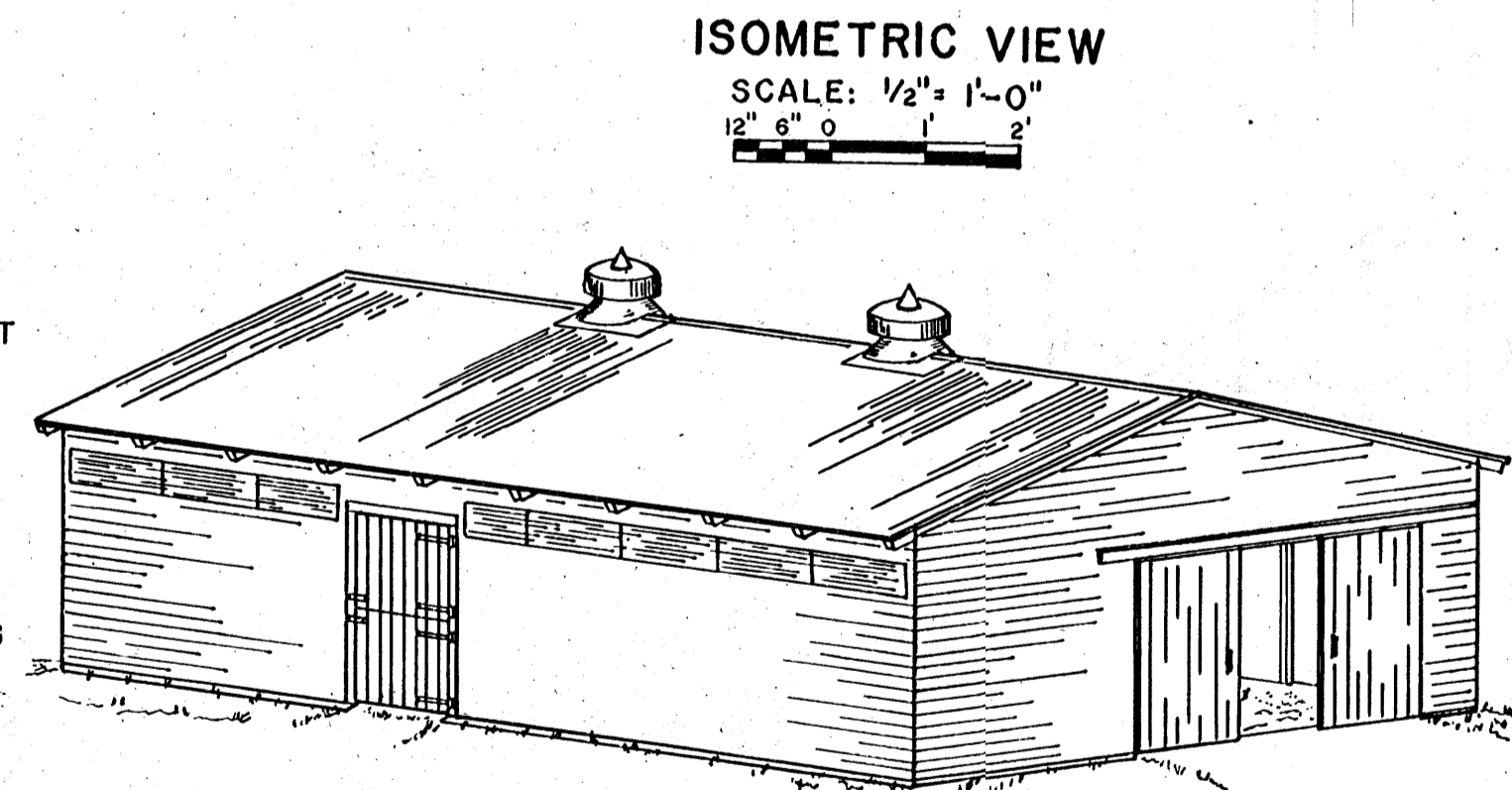
DETAIL OF STALL GUARD



NOTE: GIRTS & ROOFING NOT SHOWN



SECTION-A-A
SCALE: 3/8" = 1'-0"
12' 6" 0 1' 2' 3'



ISOMETRIC VIEW

ISOMETRIC VIEW
SCALE: 1/2" = 1'-0"
12' 6" 0 1' 2'

SCALE: 1" = 1'-0" UNLESS OTHERWISE NOTED.

NOTE: CONSULT LOCAL HEALTH AND BUILDING CODE AUTHORITIES BEFORE STARTING CONSTRUCTION.

BASED ON: MICH. STATE UNIV.
PLAN NO. 772-CI-14

COOPERATIVE EXTENSION WORK IN
AGRICULTURE AND HOME ECONOMICS
STATE OF MISSISSIPPI
MISSISSIPPI STATE UNIVERSITY
AND
UNITED STATES DEPARTMENT OF AGRICULTURE COOPERATING

HORSE BARN
POST CONSTRUCTION

MICH. '77	6275	SHEET 1 OF 1
-----------	------	--------------