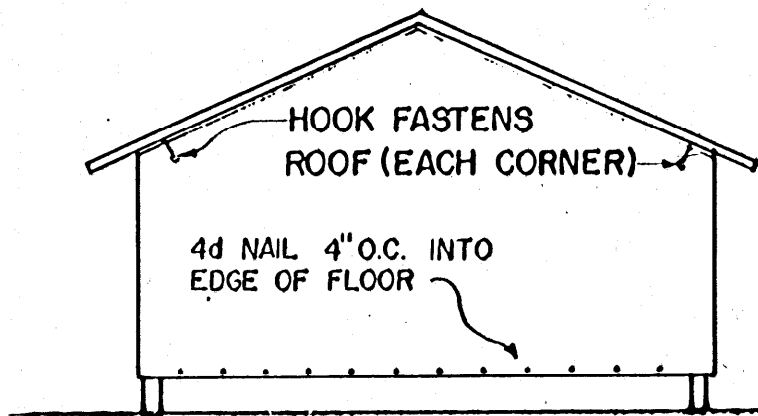
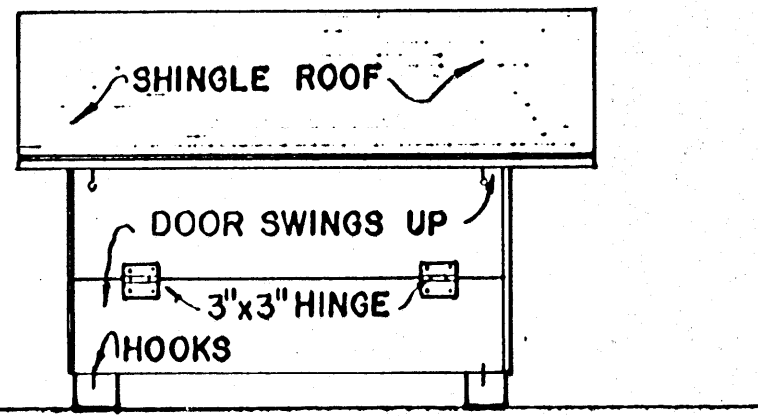


SCALE 3/4" = 1'-0"

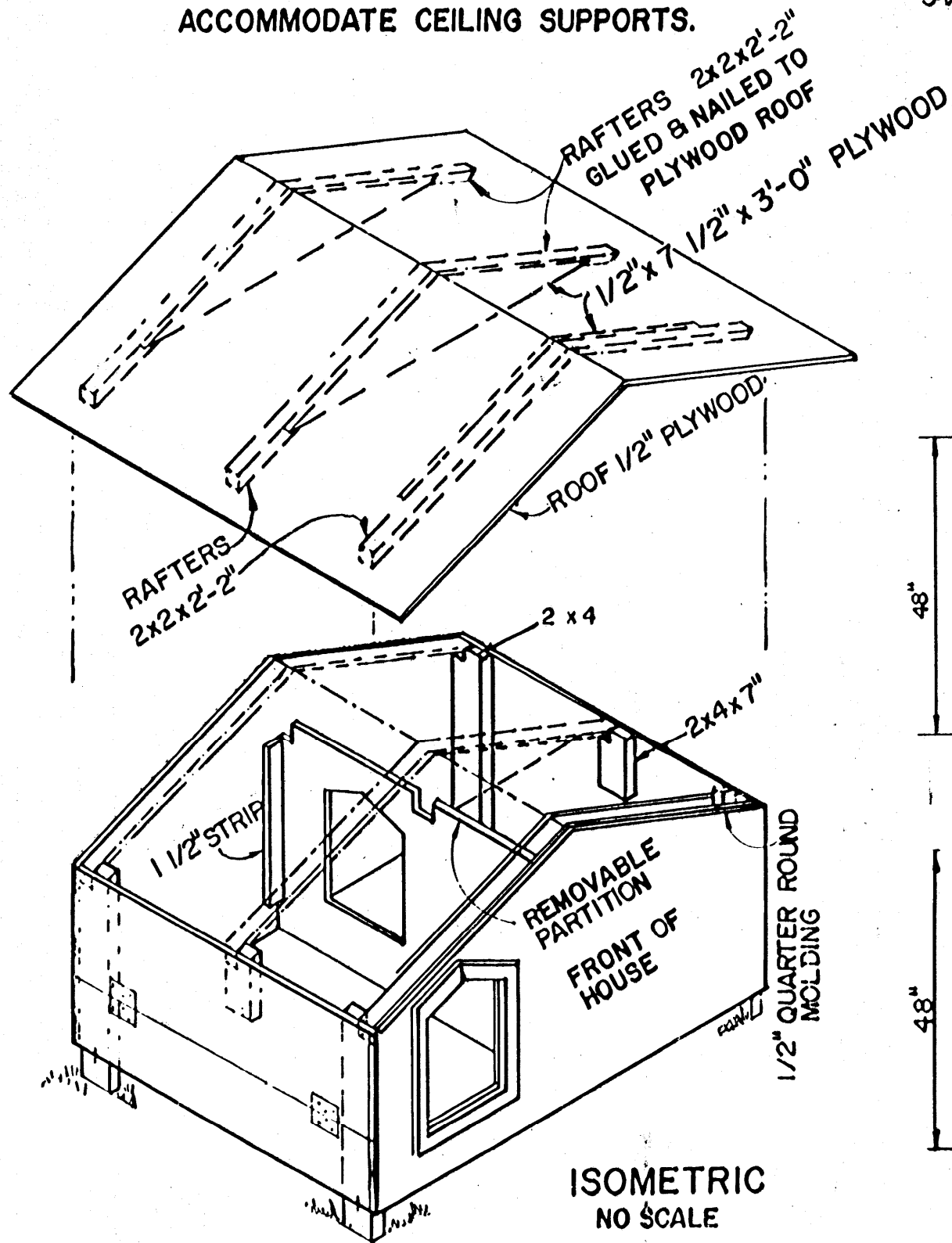


BACK

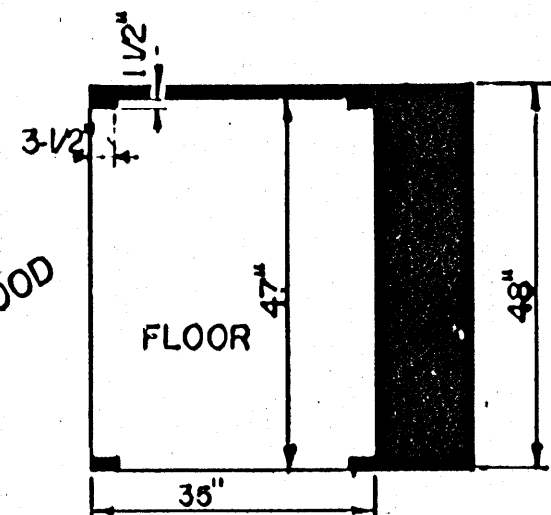


LEFT SIDE

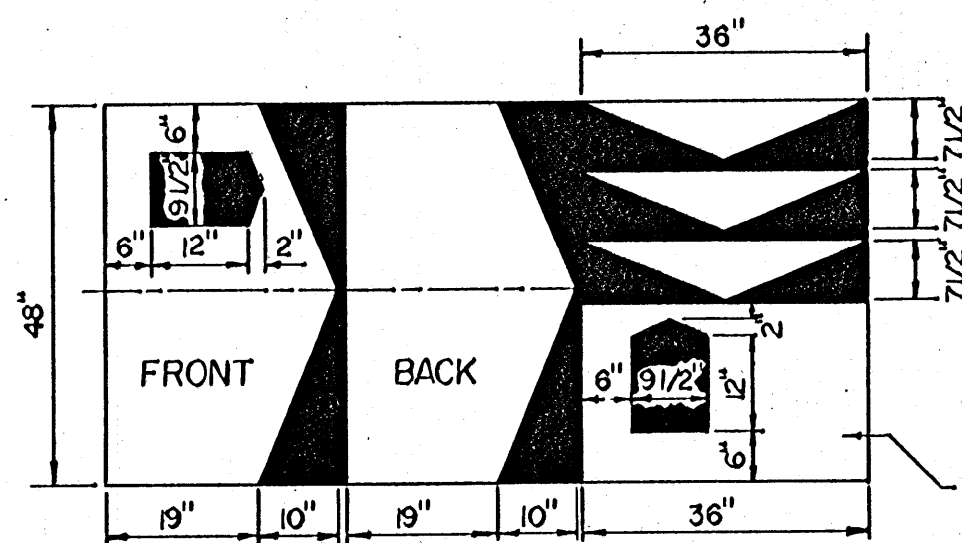
NOTE: NOTCH TOP OF PARTITION TO ACCOMMODATE CEILING SUPPORTS.



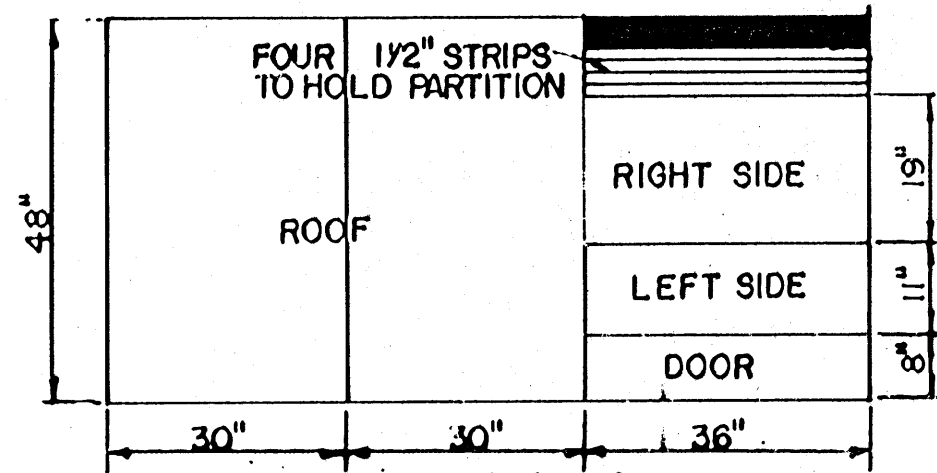
ISOMETRIC
NO SCALE



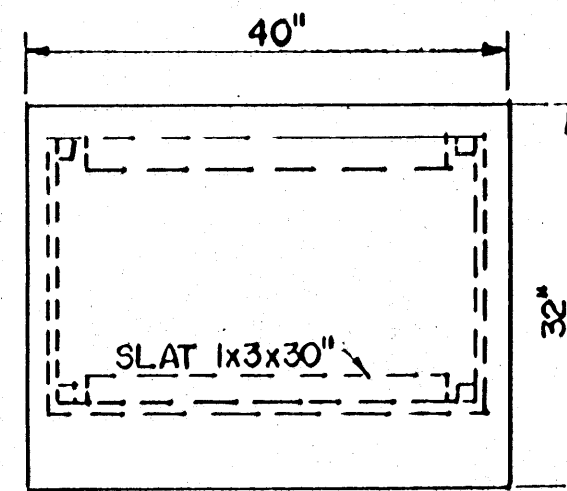
ONE HALF SHEET 4'x4'x3/4" PLYWOOD



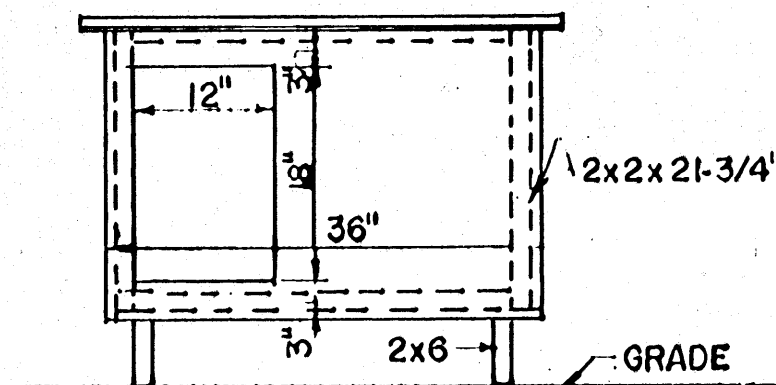
ONE SHEET 4'x8'x1/2" PLYWOOD



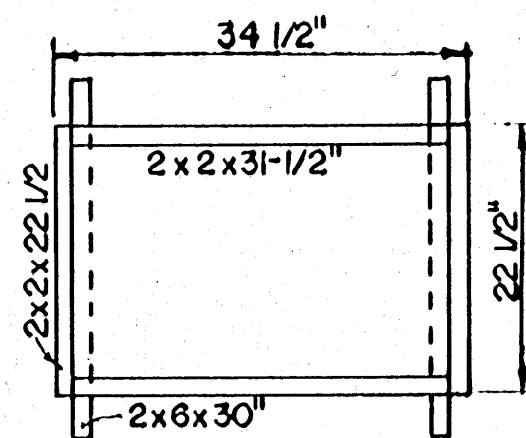
ONE SHEET 4'x8'x1/2" PLYWOOD



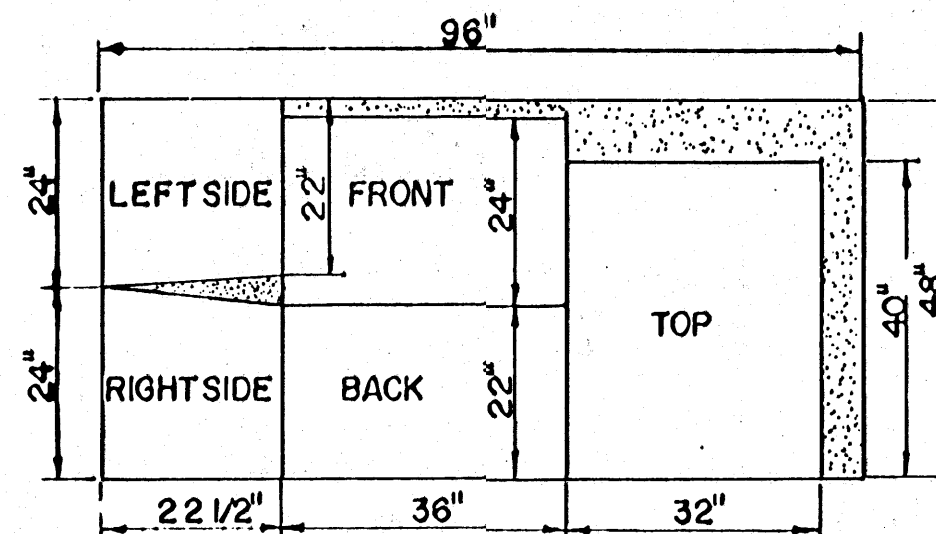
TOP



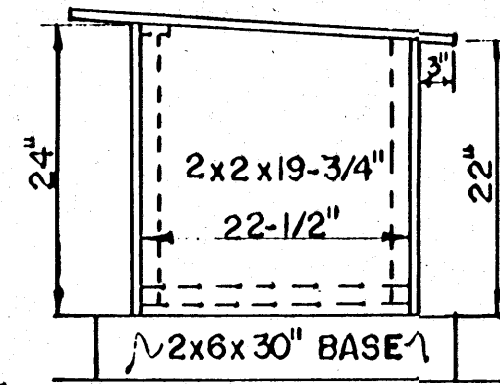
FRONT



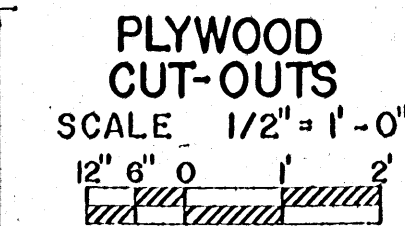
BOTTOM



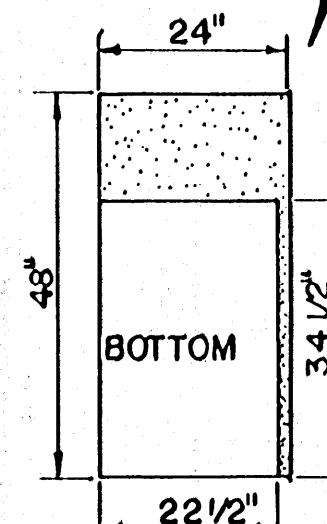
ONE SHEET 4'x8'x1/2" PLYWOOD



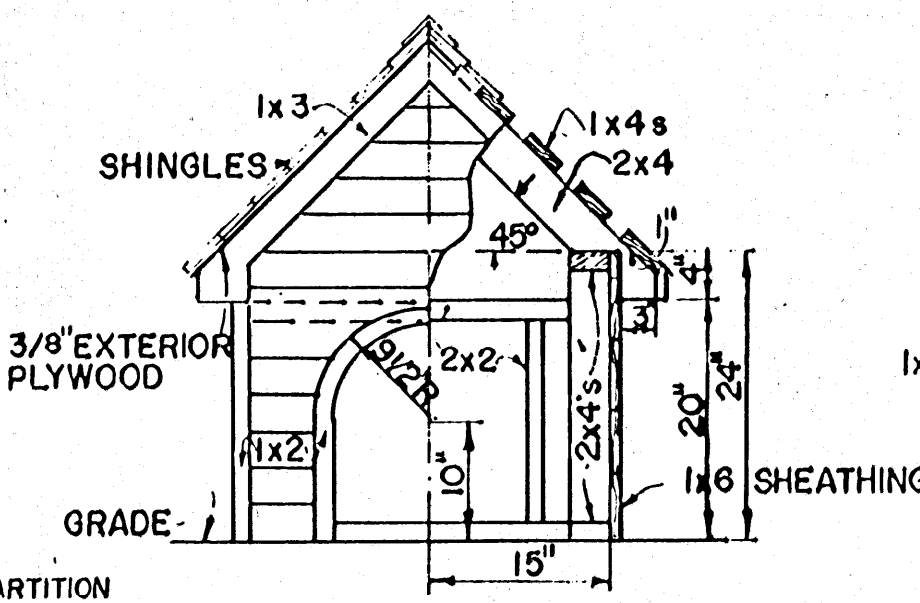
SIDE



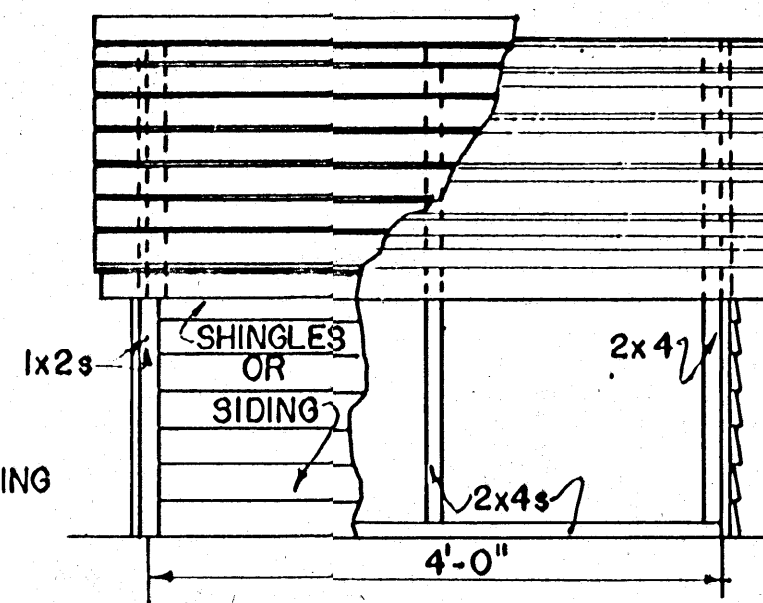
PLYWOOD CUT-OUTS
SCALE 1/2" = 1'-0"



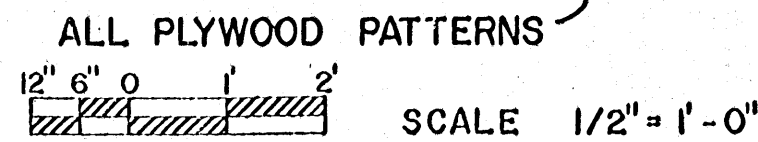
ONE QUARTER SHEET
2'x4'x3/4" PLYWOOD



FRONT ELEVATION



SIDE ELEVATION



ALL PLYWOOD PATTERNS

SCALE 1/2" = 1'-0"

SCALE: 3/4" = 1'-0" UNLESS OTHERWISE NOTED

COOPERATIVE EXTENSION WORK IN
AGRICULTURE AND HOME ECONOMICS

AND
UNITED STATES DEPARTMENT OF AGRICULTURE COOPERATING

DOG HOUSES
TYPES A, B, & C

USDA '77 6278 SHEET 1 OF 1

REV '87