

**POSTS \***

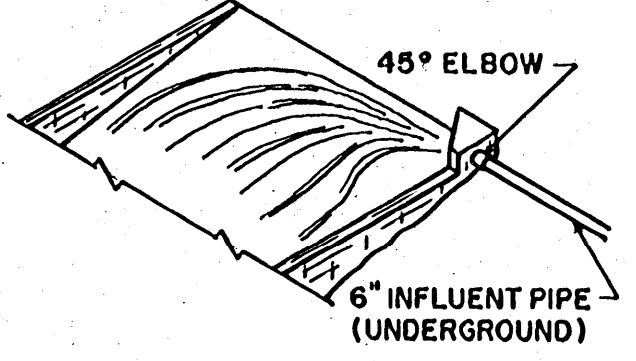
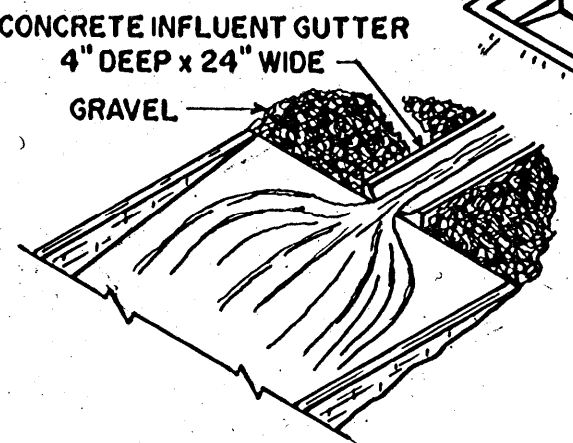
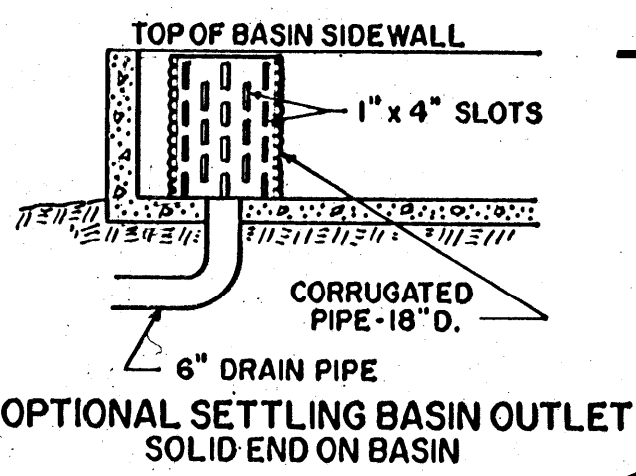
ABOVE GROUND LENGTH	SIZE	SPACING
0 - 5'	6" x 6"	5'
5' - 6'	6" x 6"	4'

\*ROUGH SAWN LUMBER  
ALL LUMBER TO BE PRESSURE TREATED

**HORIZONTAL SUPPORTS \*\***

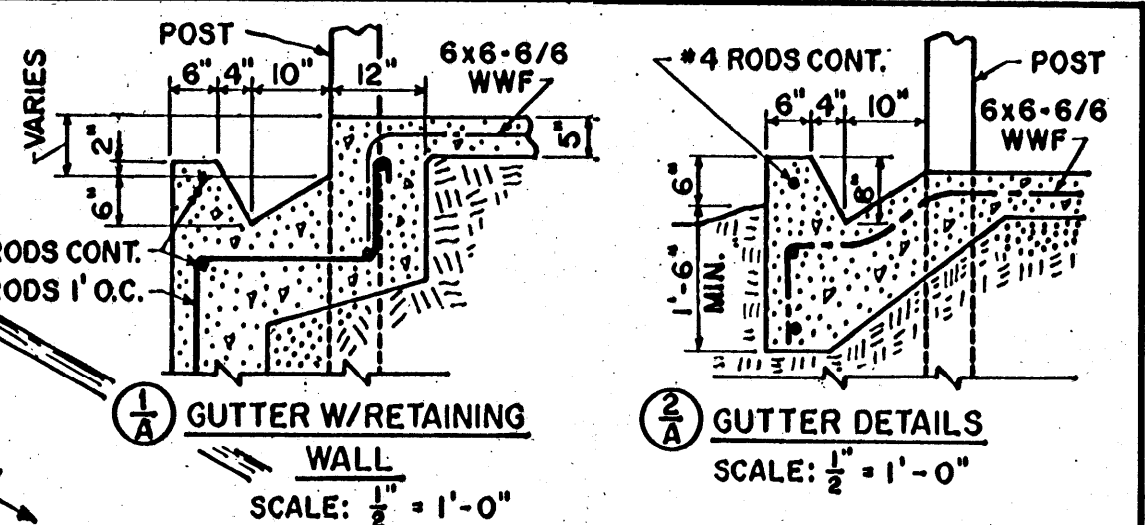
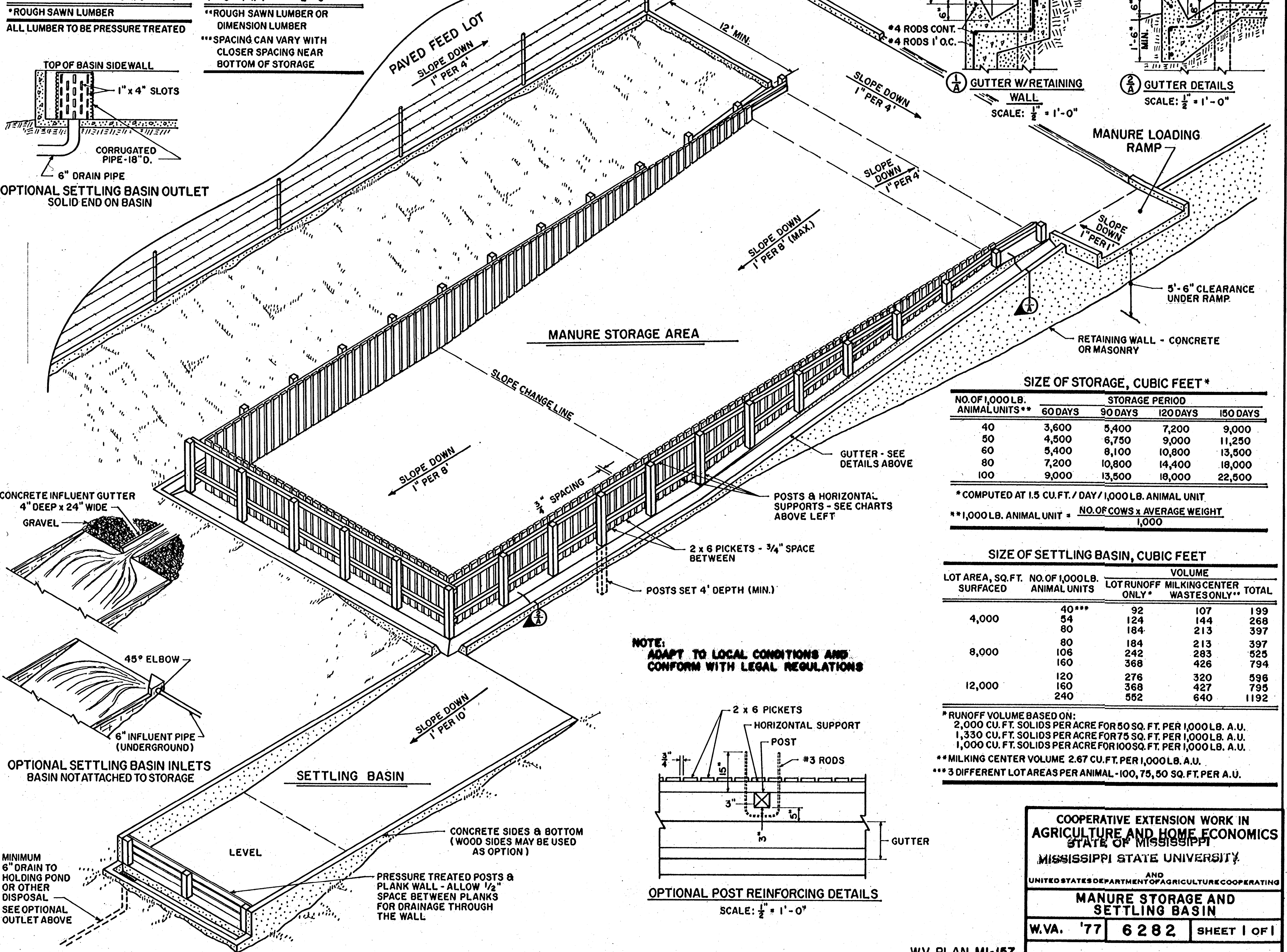
DEPTH	SIZE	MAXIMUM SPACING ***
0 - 4'	4" x 4"	3'
4' - 6'	4" x 4"	2' - 6"

\*\*ROUGH SAWN LUMBER OR DIMENSION LUMBER  
\*\*\*SPACING CAN VARY WITH CLOSER SPACING NEAR BOTTOM OF STORAGE

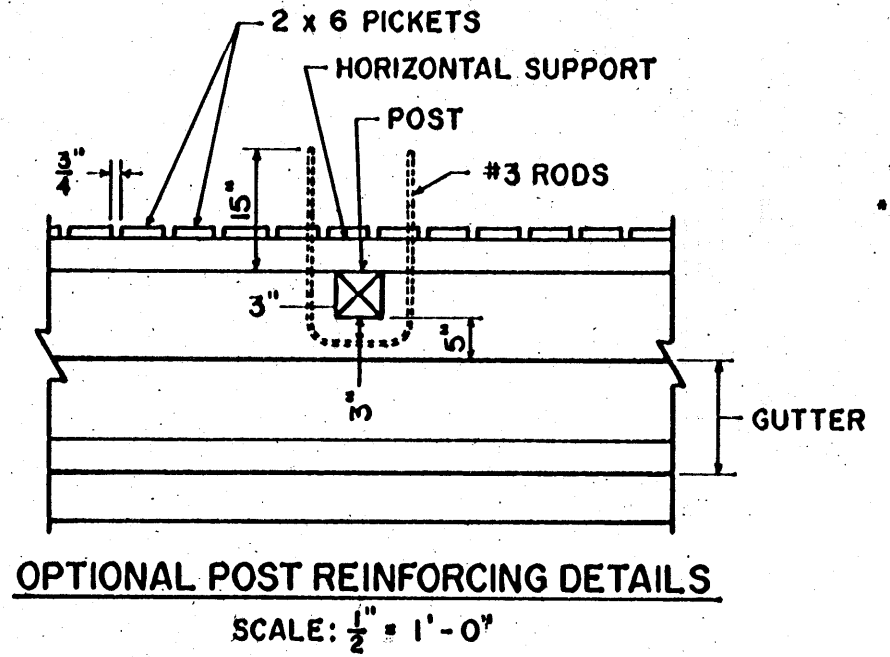


OPTIONAL SETTLING BASIN INLETS  
BASIN NOT ATTACHED TO STORAGE

MINIMUM 6" DRAIN TO HOLDING POND OR OTHER DISPOSAL  
SEE OPTIONAL OUTLET ABOVE



**NOTE:**  
ADAPT TO LOCAL CONDITIONS AND CONFORM WITH LEGAL REGULATIONS



**SIZE OF STORAGE, CUBIC FEET \***

NO. OF 1,000 LB. ANIMAL UNITS **	STORAGE PERIOD			
	60 DAYS	90 DAYS	120 DAYS	150 DAYS
40	3,600	5,400	7,200	9,000
50	4,500	6,750	9,000	11,250
60	5,400	8,100	10,800	13,500
80	7,200	10,800	14,400	18,000
100	9,000	13,500	18,000	22,500

\* COMPUTED AT 1.5 CU. FT. / DAY / 1,000 LB. ANIMAL UNIT  
\*\* 1,000 LB. ANIMAL UNIT = NO. OF COWS x AVERAGE WEIGHT / 1,000

**SIZE OF SETTLING BASIN, CUBIC FEET**

LOT AREA, SQ. FT. SURFACED	NO. OF 1,000 LB. ANIMAL UNITS	VOLUME		
		LOT RUNOFF ONLY *	MILKING CENTER WASTES ONLY **	TOTAL
4,000	40 ***	92	107	199
	54	124	144	268
	80	184	213	397
8,000	80	184	213	397
	106	242	283	525
	160	368	426	794
12,000	120	276	320	596
	160	368	427	795
	240	552	640	1192

\* RUNOFF VOLUME BASED ON:  
2,000 CU. FT. SOLIDS PER ACRE FOR 50 SQ. FT. PER 1,000 LB. A.U.  
1,330 CU. FT. SOLIDS PER ACRE FOR 75 SQ. FT. PER 1,000 LB. A.U.  
1,000 CU. FT. SOLIDS PER ACRE FOR 100 SQ. FT. PER 1,000 LB. A.U.  
\*\* MILKING CENTER VOLUME 2.67 CU. FT. PER 1,000 LB. A.U.  
\*\*\* 3 DIFFERENT LOT AREAS PER ANIMAL - 100, 75, 50 SQ. FT. PER A.U.

COOPERATIVE EXTENSION WORK IN AGRICULTURE AND HOME ECONOMICS  
STATE OF MISSISSIPPI  
MISSISSIPPI STATE UNIVERSITY  
AND  
UNITED STATES DEPARTMENT OF AGRICULTURE COOPERATING

**MANURE STORAGE AND SETTLING BASIN**

W.VA. '77 6282 SHEET 1 OF 1